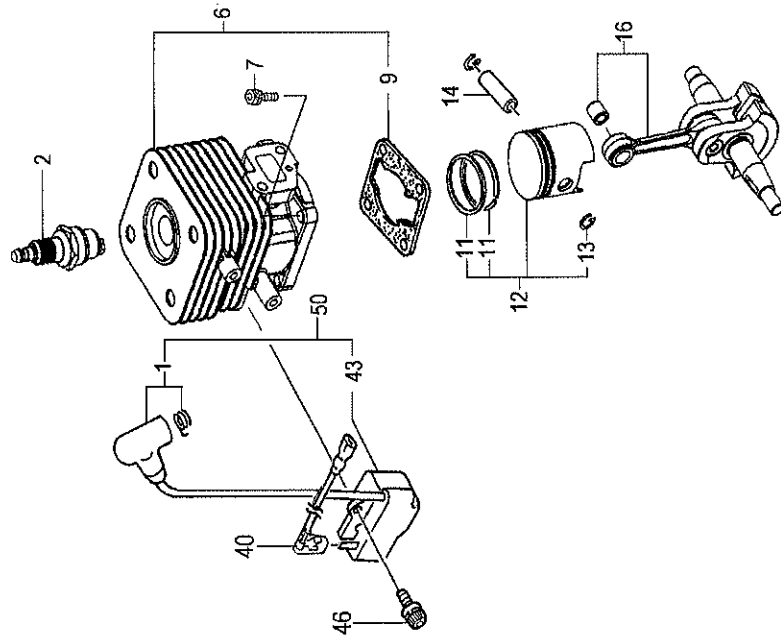


**S39**

**DW25EF(SR)**  
**DW25EF(SRN)**

**Serial No.**

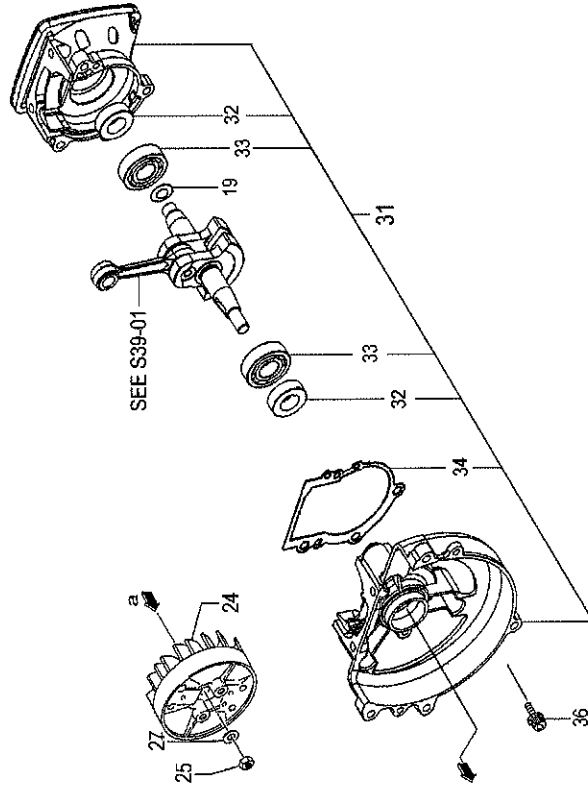
DW25EF(SR)/(SRN) CYLINDER/PISTON/CRANK SHAFT



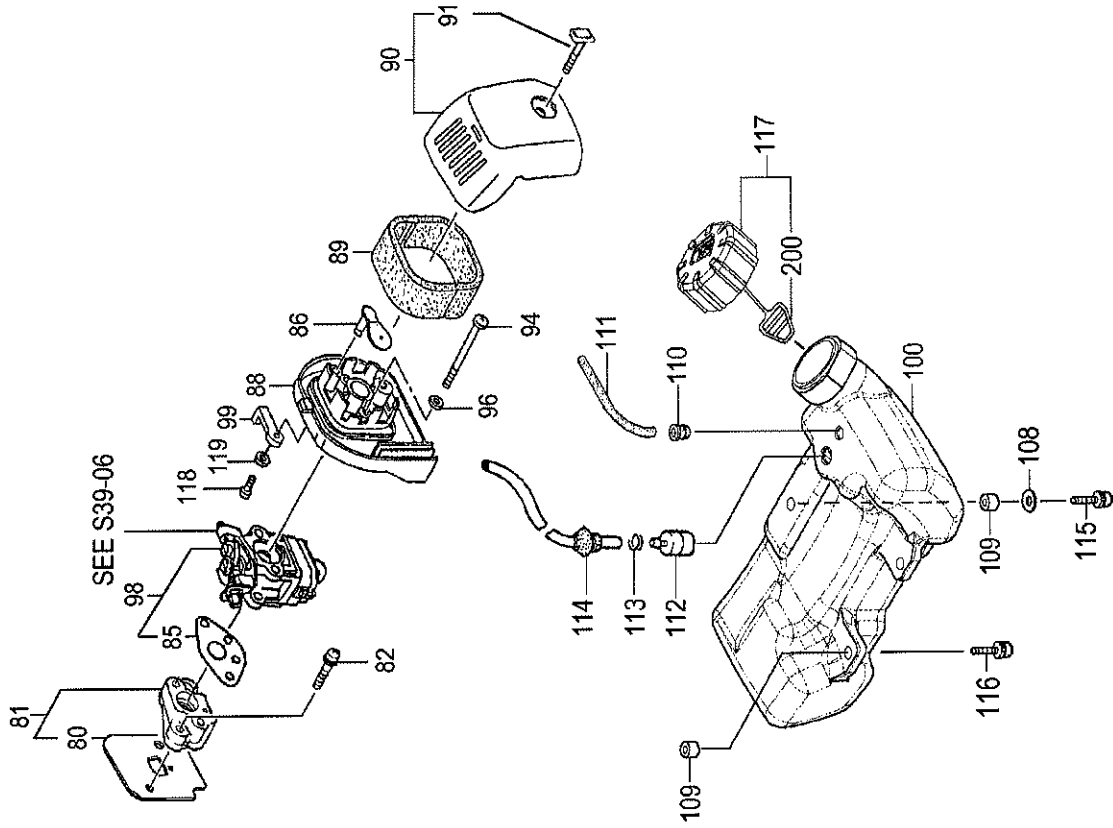
REF. NUMBER	PARTS NUMBER	DESCRIPTION	Q'TY	SERIAL NUMBER
001	668-4894	PLUG CAP ASSY	1	
002	668-5768	SPARK PLUG, RCJ8Y	1	
006	668-5493	CYLINDER SET	1	
007	668-4586	HEX.HOLE BOLT M5X18/S	4	
009	668-5750	CYLINDER GASKET T=1.0	1	
011	668-6121	PISTON RING	2	
012	668-5902	PISTON SET	1	
013	668-4590	PISTON PIN CIRCLIP	2	
014	668-4591	PISTON PIN	1	
016	668-6219	CRANK SHAFT COMP.	1	
040	668-7836	STOP CORD B 190M	1	
043	668-7685	IGNITION COIL COMP.	1	
046	668-4599	HEX.HOLE BOLT M4X18/WS	2	
050	668-7686	IGNITION COIL ASS'Y	1	

**S39-02**

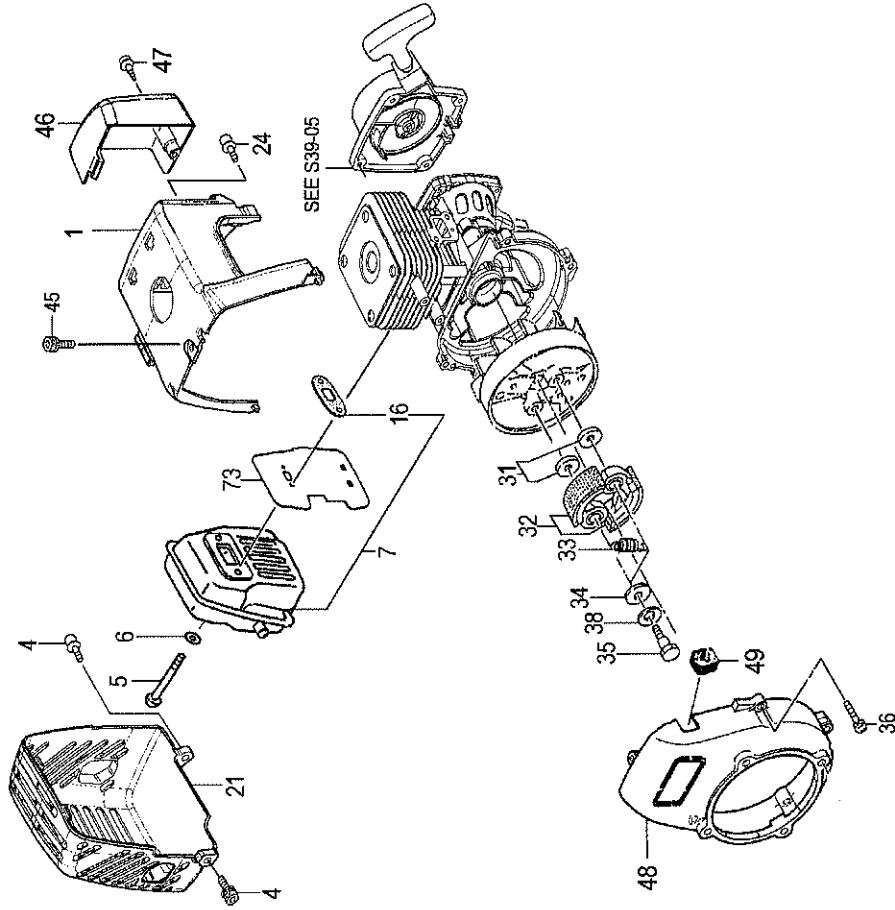
**DW25EF(SR)/(SRN) CRANK CASE**



REF. NUMBER	PARTS NUMBER	DESCRIPTION	QTY	SERIAL NUMBER
019	668-4604	GEAR SHAFT SHIM 0.20	V	
019	668-4605	GEAR SHAFT SHIM 0.30	V	
024	668-7384	MAGNETO ROTOR COMP.	1	
025	668-4612	HEX.NUT M8	1	
027	668-4611	WASHER M8	1	
031	669-5700	CRANK CASE ASSY	1	
032	668-4607	OIL SEAL TB 12227	2	
033	669-5535	BALL BEARING 6001 C3	2	
034	668-4904	CRANK CASE GASKET	1	
036	668-4903	HEX.HOLE BOLT M5X16/S	4	



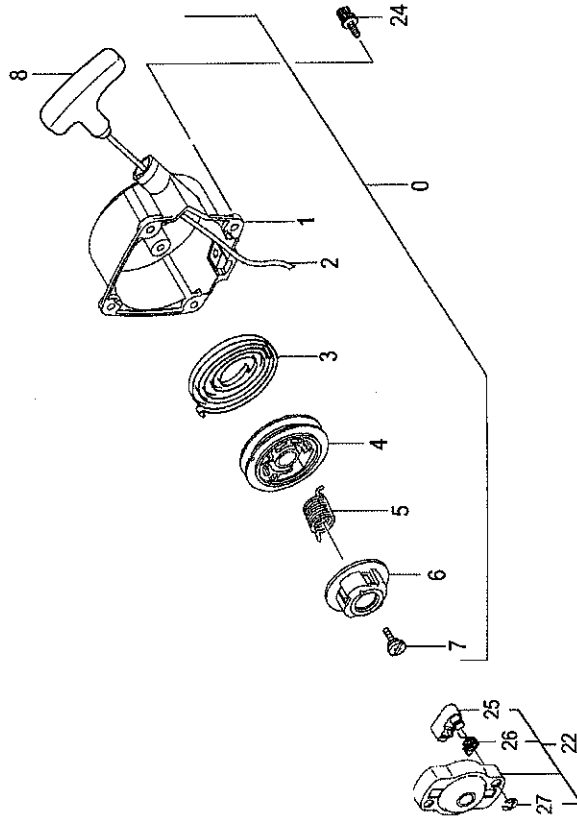
REF. NUMBER	PARTS NUMBER	DESCRIPTION	QTY	SERIAL NUMBER
080	668-9895	INLET MANIFOLD GASKET	1	
081	668-9972	INSULATOR SET	1	
082	669-5515	HEX. HOLE BOLT 5X25WS	2	
085	668-4615	CARBURETOR GASKET	1	
086	669-1281	CHOKE LEVER 1.5	1	
088	669-0120	CLEANER BODY COMP.	1	
089	669-0365	CLEANER SPONGE	1	
090	669-0421	CLEANER COVER ASSY	1	
091	669-0384	COVER FIXING BOLT	1	
094	669-5353	SCREW 5X57/S	2	
096	668-4864	SMALL WASHER 5	2	
098	669-0519	CABURETOR SET WYJ-431	1	
099	669-1239	CHOKE CONTROL LEVER	1	
100	669-1604	TANK ORG	1	
108	668-9681	BRAKE SHAFT WASHER	1	
109	669-2244	COLLAR 5.8	3	
110	668-4627	RETURN GROMMET	1	
111	668-4626	FUEL PIPE 3X5X65	1	
112	668-4620	PUMP FILTER BODY COMP.	1	
113	668-4619	CLIP, 6.3 DIA.	1	
114	668-4618	FUEL PIPE ASSY	1	
115	668-4634	HEX.HOLE BOLT 5X20/PS	1	
116	669-5504	HEX.HOLE BOLT 5X16/PS	2	
117	668-5049	TANK CAP ASSY	1	
118	669-5280	TAP SCREW 4X14 P	1	
119	668-5070	BOLT WASHER M4	1	
200	668-4625	TANK CAP CHAIN	1	



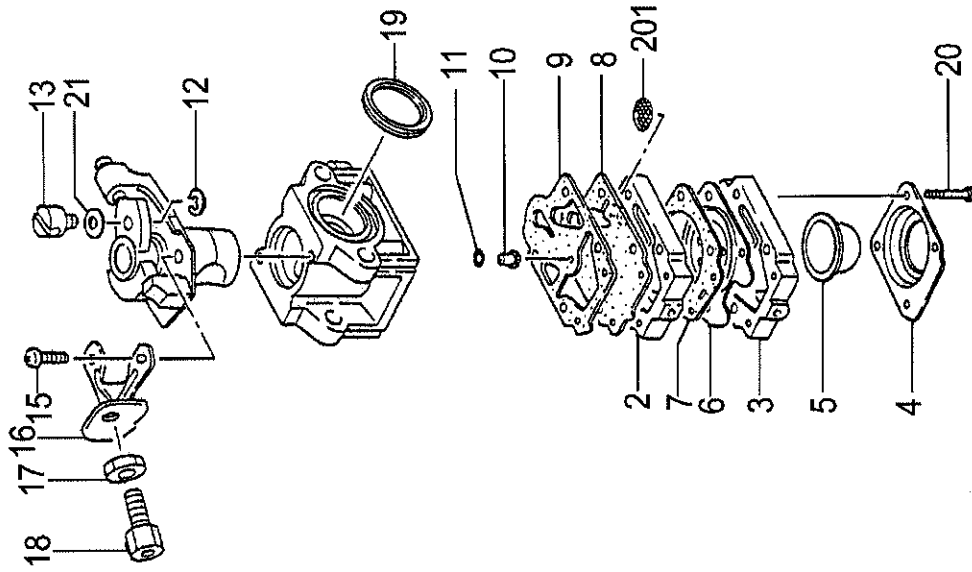
REF. NUMBER	PARTS NUMBER	DESCRIPTION	QTY	SERIAL NUMBER
001	668-5690	CYLINDER COVER	1	
004	669-5504	HEX.HOLE BOLT 5X16/PS	2	
005	668-4638	HEX. HOLE BOLT M6X55	2	
006	668-4639	WASHER 6	2	
007	669-2499	MUFFLER SET	1	
016	669-2732	MUFFLER GASKET	1	
021	669-2815	MUFFLER PROTECTOR OR	1	
024	669-5508	HEX. HOLE BOLT 4X18WS	2	
031	668-4642	CLUTCH WASHER B	2	
032	668-4643	CLUTCH SHOE COMP.	2	
033	668-4644	CLUTCH SPRING	1	
034	668-4645	CLUTCH PLATE A 0.5	2	
035	668-4646	STEP BOLT	2	
036	668-4647	HEX.HOLE BOLT M5X18/WS	3	
038	668-4648	BENT WASHER 8	2	
045	668-4682	HEX.HOLE BOLT 4X15/PS	1	
046	668-7214	DEFLECTOR	1	
047	668-4751	TAPPING SCREW 4X14	1	
048	668-7038	FAN CASE COMP OR	1	
049	668-8057	PRIMARY CORD GROMMET	1	
073	668-7264	HEAT SHIELD	1	

S39-05

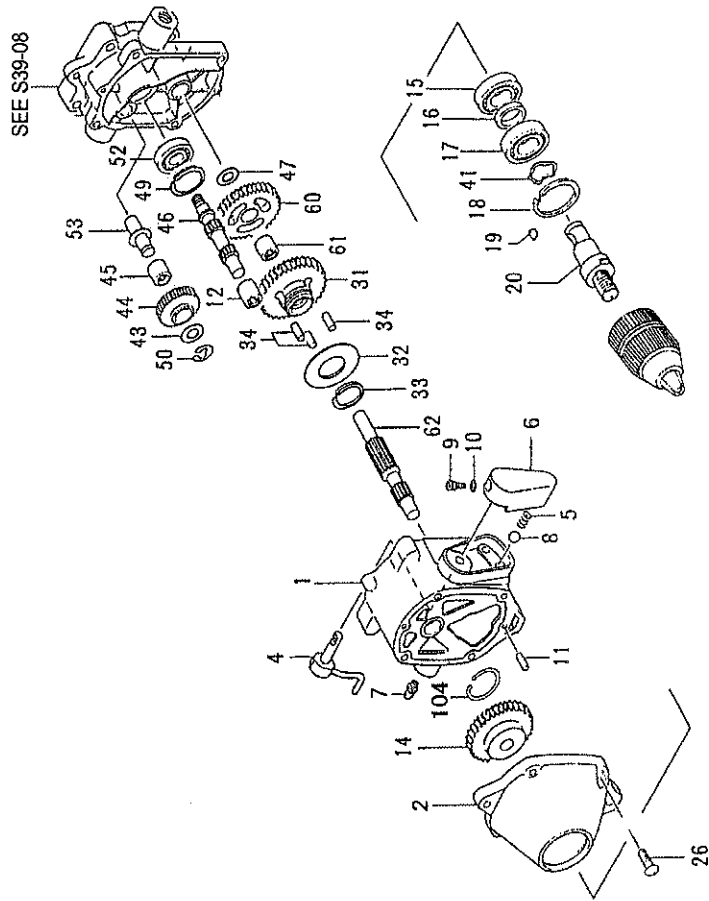
DW25EF(SR)/(SRN) RECOIL STARTER



REF. NUMBER	PARTS NUMBER	DESCRIPTION	QTY	SERIAL NUMBER
000	668-4672	RECOIL STARTER BODY AS	1	
001	668-4673	RECOIL STARTER BODY CO	1	
002	668-4674	STARTER ROPE 3.5X860	1	
003	668-4675	RECOIL SPRING	1	
004	668-4676	STARTER ROPE REEL	1	
005	668-4677	DUMPER SPRING	1	
006	668-4678	CAM PLATE	1	
007	668-4679	SET SCREW	1	
008	668-4680	STARTER HANDLE	1	
022	668-4681	STARTER PULLEY ASSY	1	
024	669-5508	HEX. HOLE BOLT 4X18WS	2	
025	668-4685	STARTER PAWL	2	
026	668-4684	STARTER PAWL SPRING	2	
027	668-4683	STOP RING E-5	2	

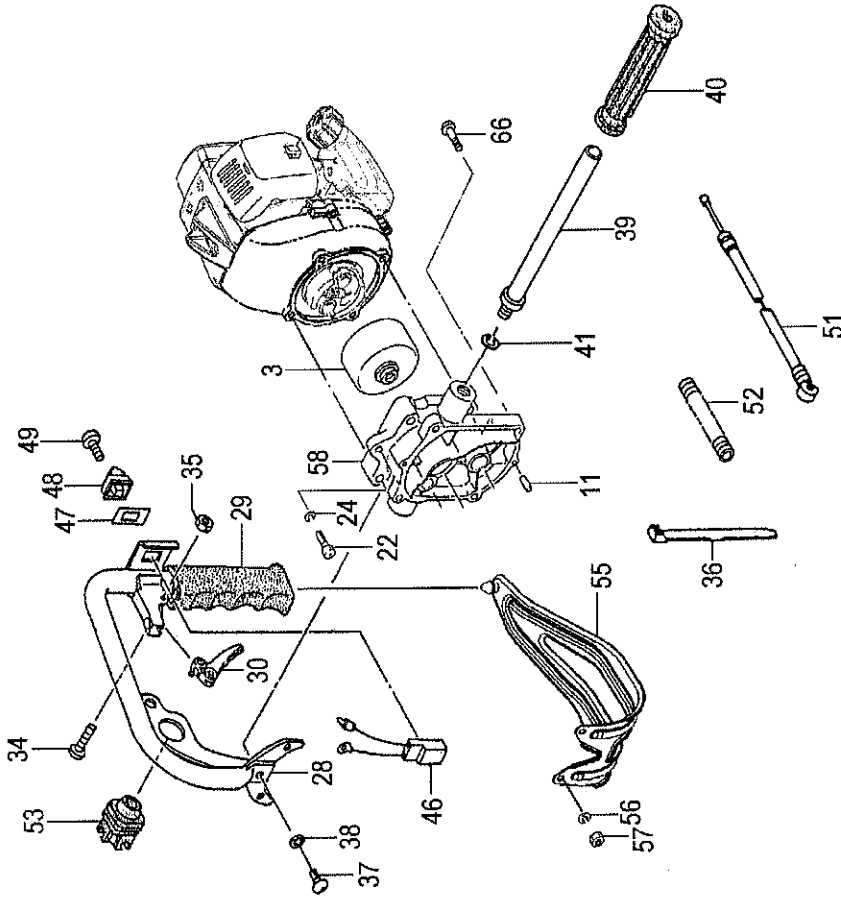


REF. NUMBER	PARTS NUMBER	DESCRIPTION	QTY	SERIAL NUMBER
002	668-4879	PUMP BODY COMP.	1	
003	668-4687	PRIMING PUMP COMP.	1	
004	668-4688	DIAPHRAGM COVER	1	
005	668-4689	PRIMING BODY	1	
006	669-0830	METERING DIAPHRAGM CO	1	
007	668-4691	DIAPHRAGM GASKET	1	
008	668-4693	PUMP DIAPHRAGM	1	
009	668-4692	PUMP GASKET	1	
010	669-1847	MAIN JET #42	1	
011	668-4695	O-RING	1	
012	668-4696	STOP RING	1	
013	668-4697	SWIVEL	1	
015	668-4870	THRITTLE SET SCREW	2	
016	668-4873	CABLE ADJUSTER STAY	1	
017	669-2005	CABLE ADJUST NUT	1	
018	668-4871	CABLE ADJUSTER	1	
019	668-4875	CLEANER PACKING	1	
020	668-4699	SET SCREW	4	
021	668-4874	THRUST WASHER	1	
201	668-4700	INLET SCREEN	1	



REF. NUMBER	PARTS NUMBER	DESCRIPTION	Q'TY	SERIAL NUMBER
001	668-5576	GEAR CASE A	1	
002	668-5593	GEAR CASE B COMP.	1	
004	668-6684	SHIFT FORK COMP.	1	
005	668-6837	SHIFT GUIDE SPRING	1	
006	668-6862	SHIFT LEVER	1	
007	668-8643	GREASE NIPPLE COMP.	1	
008	669-2271	STEEL BALL	1	
009	669-5034	HEX. HOLE BOLT 4X8	1	
010	668-5070	BOLT WASHER M4	1	
011	669-5521	KNOCK PIN 4X12	2	
012	669-5591	NEEDLE BRG TLA912 1.5X5	1	
014	668-5788	GEAR 4	1	
015	669-5587	BALL BEARING #7202B, 35M	1	
016	668-6065	WASHAER C 5.0	1	
017	669-5559	BALL BEARING #620Z, 35M	1	
018	669-5296	STOP RING C-35, INNER	1	
019	668-6455	WOOD-RUFF KEY 3X13X5	1	
020	668-5824	DRIVE SHAFT	1	
026	669-5339	SCREW 5X18/S	4	
031	668-6378	FORWARD GEAR	1	
032	668-7314	THRUST WASHER 2	1	
033	669-5316	STOP RING 20, INNER	1	
034	669-5522	NEEDLE ROLLER 6X18	3	
041	669-5206	WAVE WASHER B.B 35	1	
043	668-7320	THRUST WASHER 0.8	1	
044	668-6373	IDLE GEAR	1	
045	669-5591	NEEDLE BRG TLA912 1.5X5	1	
046	668-6423	INPUT SHAFT	1	
047	668-7320	THRUST WASHER 0.8	1	
049	668-4732	STOP RING C-24,INNER	1	
050	669-5313	E TYPE STOP RING 8	1	
052	668-4735	BALL BEARING 609Z ST	1	
053	668-6365	IDLE SHAFT	1	
060	668-6411	REVERSE GEAR	1	
061	669-5591	NEEDLE BRG TLA912 1.5X5	1	
062	668-6427	COUNTER SHAFT	1	
104	669-5283	STOP RING C-13, OUTER	4	

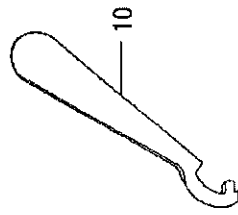
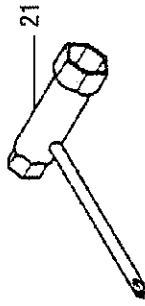


**S39-08****DW25EF(SR)/(SRN) HANDLE**

REF. NUMBER	PARTS NUMBER	DESCRIPTION	QTY	SERIAL NUMBER
003	668-8199	CLUTCH HOUSING COMP.	1	
011	669-5521	KNOCK PIN 4X12	2	
022	669-5022	PLUS BOLT 6X30	2	
024	669-5219	S.WASHER 6	2	
028	668-8369	HANDLE COMP.A	1	
029	668-7624	HANDLE GRIP A	1	
030	668-6799	THROTTLE LEVER	1	
034	669-4896	SCREW 5X25	1	
035	668-4965	NUT M5	1	
036	668-8015	CORD CLAMP	2	
037	669-5019	PLUS BOLT 6X16	1	
038	669-5219	S.WASHER 6	1	
039	668-8372	HANDLE COMP. B	1	
040	668-6350	HANDLE GRIP	1	
041	669-5225	S.WASHER 10	1	
046	668-7757	STOP BUTTON COMP.	1	
047	669-4589	STOP BUTTON MARK	1	
048	668-8366	BUTTON STOP	1	
049	668-4913	SCREW 3X10	1	
051	669-3987	THROTTLE WIRE 370+45.5	1	
052	668-7532	CORRUGATED TUBE 7X290	1	
053	668-7420	CHUCK HANDLE HOLDER	1	
055	668-8404	HANDLE SUPPORT COMP.	1	
056	669-5219	S.WASHER 6	2	
057	668-4792	NUT M6	2	
058	668-7336	CLUTCH CASE COMP.	1	
066	669-5339	SCREW 5X18/S	4	

S39-09

DW25EF(SR)/(SRN) ACCESSORIES/TOLLS

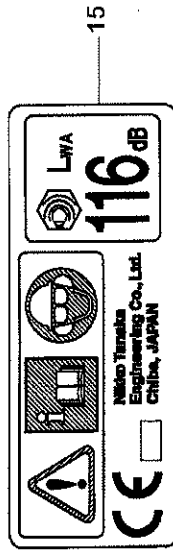
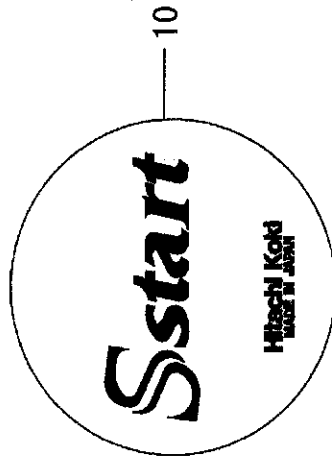
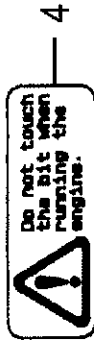


for keyless chuck  
DW25EF(SR)

REF. NUMBER	PARTS NUMBER	DESCRIPTION	QTY	SERIAL NUMBER
010	669-3647	SPECIAL WRENCH 31	1	
011	668-6379	KEYLESS CHUCK	1	
012	668-6780	LOCKING BAR	1	
021	668-5998	COMBI BOX PLUS	1	

**S39-10**

**DW25EF(SR)/(SRN) LABELS**



REF. NUMBER	PARTS NUMBER	DESCRIPTION	Q'TY	SERIAL NUMBER
002	669-4673	SYMBOL MARK DW25EF(SF	1	
003	669-4674	SYMBOL MARK DW25EF(SF	1	
004	669-4574	CAUTION MARK	1	
010	669-4474	STARTER MARK S.START	1	
015	669-4527	CAUTION MARK A	1	