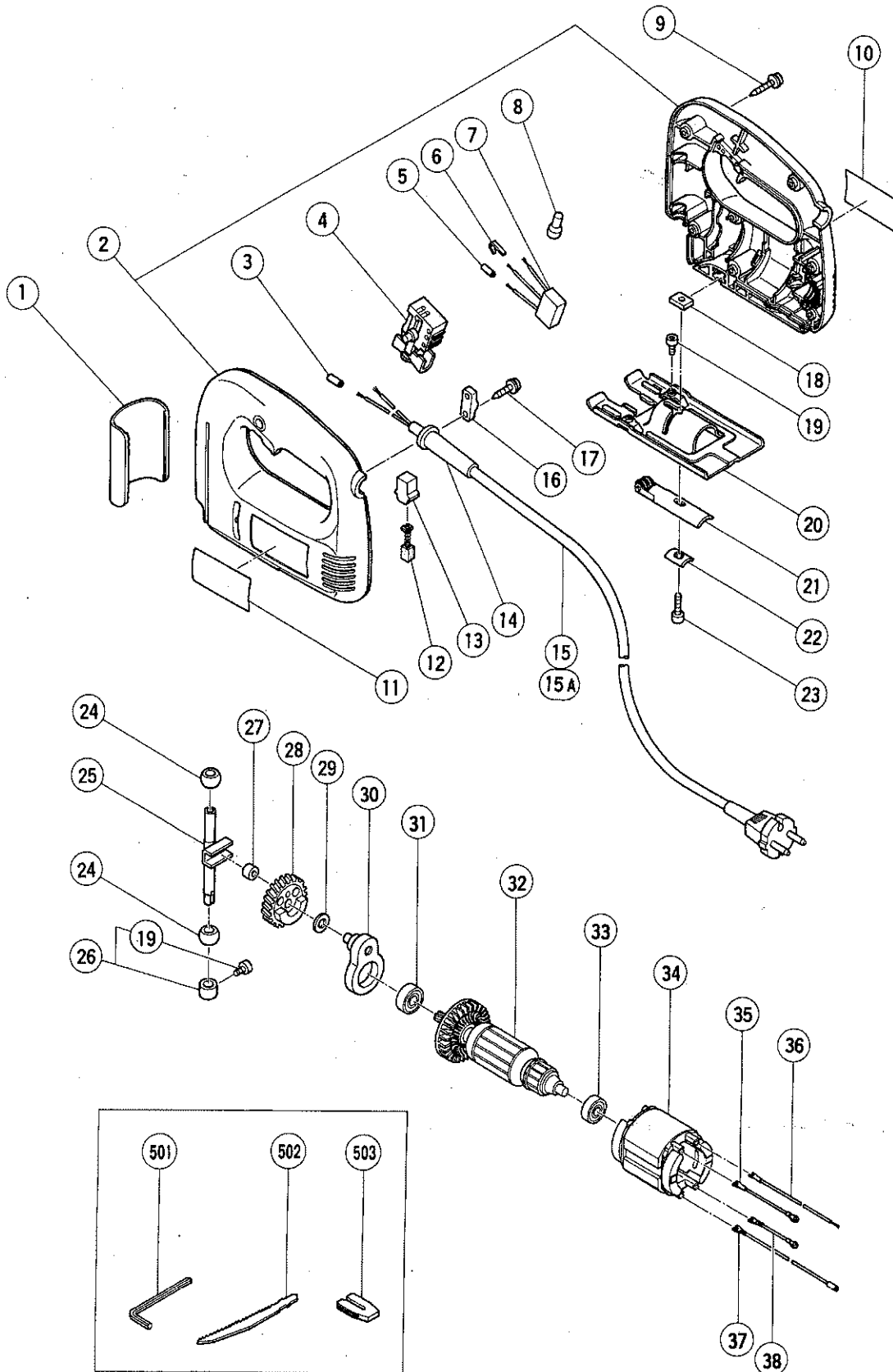


## ELECTRIC TOOL PARTS LIST

■ JIG SAW  
Model FCJ 55VA

1994 · 3 · 3  
(E2)



## PARTS

FCJ 55VA

ITEM NO.	CODE NO.	DESCRIPTION	NO. USED	REMARKS
1	305-804	CHIP COVER	1	
2	305-815	HOUSING (A),(B) SET	1	
* 3	981-373	TUBE (D)	2	FOR CORD
* 4	994-843	SWITCH (2P PILLAR TYPE) W/LOCK	1	100V - 127V
* 4	994-744	SWITCH (2P PILLAR TYPE) W/LOCK	1	220V - 240V
* 5	981-373	TUBE (D)	1	FOR NOISE SUPPRESSOR
* 6	302-488	EARTH TERMINAL	1	FOR NOISE SUPPRESSOR
* 7	994-273	NOISE SUPPRESSOR	1	
* 8	959-140	CONNECTOR 50091 (10 PCS.)	1	FOR KOR (110V),TPE
9	302-088	TAPPING SCREW (W/FLANGE) D4X20 (BLACK)	7	
10		NAME PLATE	1	
11		HITACHI LABEL	1	
12	999-041	CARBON BRUSH (1 PAIR)	2	
13	930-483	BRUSH HOLDER	2	
* 14	303-662	CORD ARMOR D8.8	1	
* 14	980-193	CORD ARMOR D10.2	1	
* 14	307-217	CORD ARMOR D7.2	1	
* 15	500-409Z	CORD	1	(CORD ARMOR D8.8) FOR INA,ITA,FRG,HOL, DEN,FIN,SWE,AUT,NOR,GRE,KOR (220V),CHN
* 15	500-226Z	CORD	1	(CORD ARMOR D8.8) FOR NGU,NZL,AUS
* 15	500-423Z	CORD	1	(CORD ARMOR D8.8) FOR SIN,KUW
* 15	500-231Z	CORD	1	(CORD ARMOR D8.8) FOR SAF,GBR (110V)
* 15	500-240Z	CORD	1	(CORD ARMOR D8.8) FOR USA,CAN
* 15	303-667	CORD	1	(W/CORD ARMOR) FOR THA
* 15	500-245Z	CORD	1	(CORD ARMOR D10.2) FOR SYR
* 15	500-395Z	CORD	1	(CORD ARMOR D8.8) FOR SUI
* 15A	500-436Z	CORD	1	(CORD ARMOR D7.2) FOR GBR (240V)
* 15A	930-051	CORD	1	(CORD ARMOR D10.2) FOR KOR (110V),TPE
* 16	960-266	CORD CLIP	1	
* 17	305-812	TAPPING SCREW (W/FLANGE) D4X16	2	
18	962-991	PLATE NUT	1	
19	949-811	HEX. SOCKET HD. BOLT M4X8 (10 PCS.)	2	
20	962-988	BASE	1	
21	306-199	GUIDE ROLLER	1	
22	962-990	BASE LOCKER	1	
23	949-754	HEX. SOCKET HD. BOLT M4X16 (10 PCS.)	1	
24	987-101	METAL	2	
25	305-803	PLUNGER	1	
26	305-811	SET RING ASS'Y	1	INCLUD.19
27	962-982	CONNECTING PIECE	1	
28	987-102	GEAR	1	
29	991-733	WASHER (C)	1	
30	305-802	HOLDER	1	
31	608-VVM	BALL BEARING 608VVMC2EPS2L	1	
* 32	987-120C	ARMATURE 110V - 127V	1	
* 32	987-120E	ARMATURE 220V - 230V	1	
* 32	987-120F	ARMATURE 230V - 240V	1	FOR AUS,GBR,KUW,NGU
33	626-VVM	BALL BEARING 626VVMC2ERPS2S	1	
* 34	340-228C	STATOR 110V - 115V	1	
* 34	340-228E	STATOR 220V	1	
* 34	340-228F	STATOR 230V - 240V	1	

\*: ALTERNATIVE PARTS



**STANDARD ACCESSORIES**

FCJ 55VA

ITEM NO.	CODE NO.	DESCRIPTION	NO. USED	REMARKS
501	843-277	HEX. BAR WRENCH 3MM	1	
502	879-356	JIG SAW BLADES NO.31 (5 PCS.)	1	
503	305-810	SPLINTER GUARD	1	

**OPTIONAL ACCESSORIES**

ITEM NO.	CODE NO.	DESCRIPTION	NO. USED	REMARKS
601	879-330	JIG SAW BLADES NO.1 (5 PCS.)	1	
602	879-331	JIG SAW BLADES NO.2 (5 PCS.)	1	
603	879-332	JIG SAW BLADES NO.3 (5 PCS.)	1	
604	879-333	JIG SAW BLADES NO.4 (5 PCS.)	1	
605	879-334	JIG SAW BLADES NO.5 (5 PCS.)	1	
606	879-335	JIG SAW BLADES NO.6 (5 PCS.)	1	
607	879-342	JIG SAW BLADE SET (NO.1,2,3,4,5)	1	
608	879-391	GUIDE FOR JIG SAW	1	
609	306-021	DUST COLLECTOR	1	

\*: ALTERNATIVE PARTS