

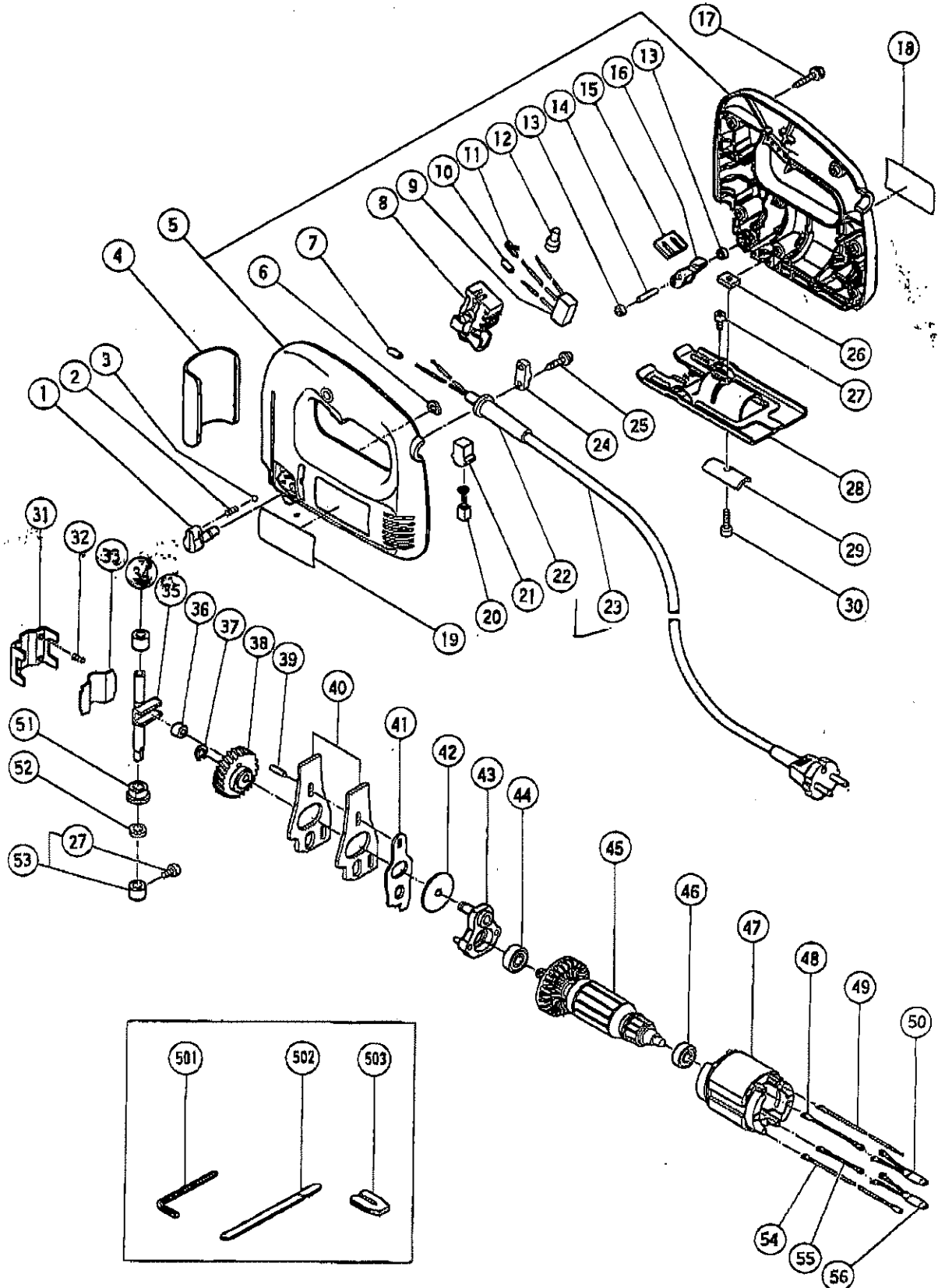


LIST NO. E857

ELECTRIC TOOL PARTS LIST

■ JIG SAW
Model FCJ 65V

1992 - 2 - 15
(E1)



PARTS

FCJ 65V

ITEM NO.	CODE NO.	DESCRIPTION	NO. USED	REMARKS
1	883-368	CHANGE KNOB	1	
2	882-454	SPRING (C)	1	
3	859-155	STEEL BALL D3.97 (10 PCS.)	1	
4	305-804	CHIP COVER	1	
5	305-873	HOUSING (A),(B) SET	1	
6	673-489	RETAINING RING (E - TYPE) FOR D5 SHAFT	1	
7	881-373	TUBE (D)	2	FOR CORD
8	884-843	SWITCH (2P PILLAR TYPE) W/LOCK	1	100V - 127V
8	884-744	SWITCH (2P PILLAR TYPE) W/LOCK	1	220V - 240V
9	884-273	NOISE SUPPRESSOR	1	FOR NZL,GBR,SAF,ITA,FRG,HOL,DEN,FIN, SWE,AUT,NOR
10	881-373	TUBE (D)	1	FOR NOISE SUPPRESSOR
11	302-488	EARTH TERMINAL	1	FOR NOISE SUPPRESSOR
12	858-140	CONNECTOR 50091 (10 PCS.)	1	FOR KOR
13	884-255	METAL (B)	2	
14	843-384	NEEDLE ROLLER D4X20	1	
15	884-253	FELT	1	
16	305-867	ROLLER HOLDER	1	
17	302-088	TAPPING SCREW (W/FLANGE) D4X20 (BLACK)	7	
18		NAME PLATE	1	
19		HITACHI LABEL	1	
20	889-041	CARBON BRUSH (1 PAIR)	2	
21	830-483	BRUSH HOLDER	2	
22	303-662	CORD ARMOR D8.8	1	
22	880-183	CORD ARMOR D10.2	1	
23	500-409Z	CORD	1	(CORD ARMOR D8.8)
23	500-228Z	CORD	1	(CORD ARMOR D8.8) FOR NGU,NZL,AUS
23	500-231Z	CORD	1	(CORD ARMOR D8.8) FOR GBR,SAF
23	500-240Z	CORD	1	(CORD ARMOR D8.8) FOR USA,CAN
23	500-423Z	CORD 220V	1	(CORD ARMOR D8.8) FOR SIN,KUW
23	500-245Z	CORD	1	(CORD ARMOR D10.2) FOR SYR
23	500-385Z	CORD	1	(CORD ARMOR D8.8) FOR SUI
23	303-887	CORD 220V	1	(W/CORD ARMOR) FOR THA
23	887-091	CORD	1	(W/CORD ARMOR) FOR KOR
24	880-268	CORD CLIP	1	
25	305-812	TAPPING SCREW (W/FLANGE) D4X18	2	
26	882-891	PLATE NUT	1	
27	849-811	HEX. SOCKET HD. BOLT M4X8 (10 PCS.)	2	
28	862-888	BASE	1	
29	884-280	BASE LOCKER (A)	1	
30	849-754	HEX. SOCKET HD. BOLT M4X18 (10 PCS.)	1	
31	884-243	PLATE HOLDER	1	
32	883-382	SPRING	4	
33	884-244	PLATE	1	
34	884-282	METAL (A)	1	
35	305-803	PLUNGER	1	
36	882-882	CONNECTING PIECE	1	
37	884-251	RETAINING RING FOR D7 SHAFT	1	
38	884-250	GEAR	1	
39	883-545	NEEDLE ROLLER	1	
40	884-249	BALANCE WEIGHT	2	

*: ALTERNATIVE PARTS

