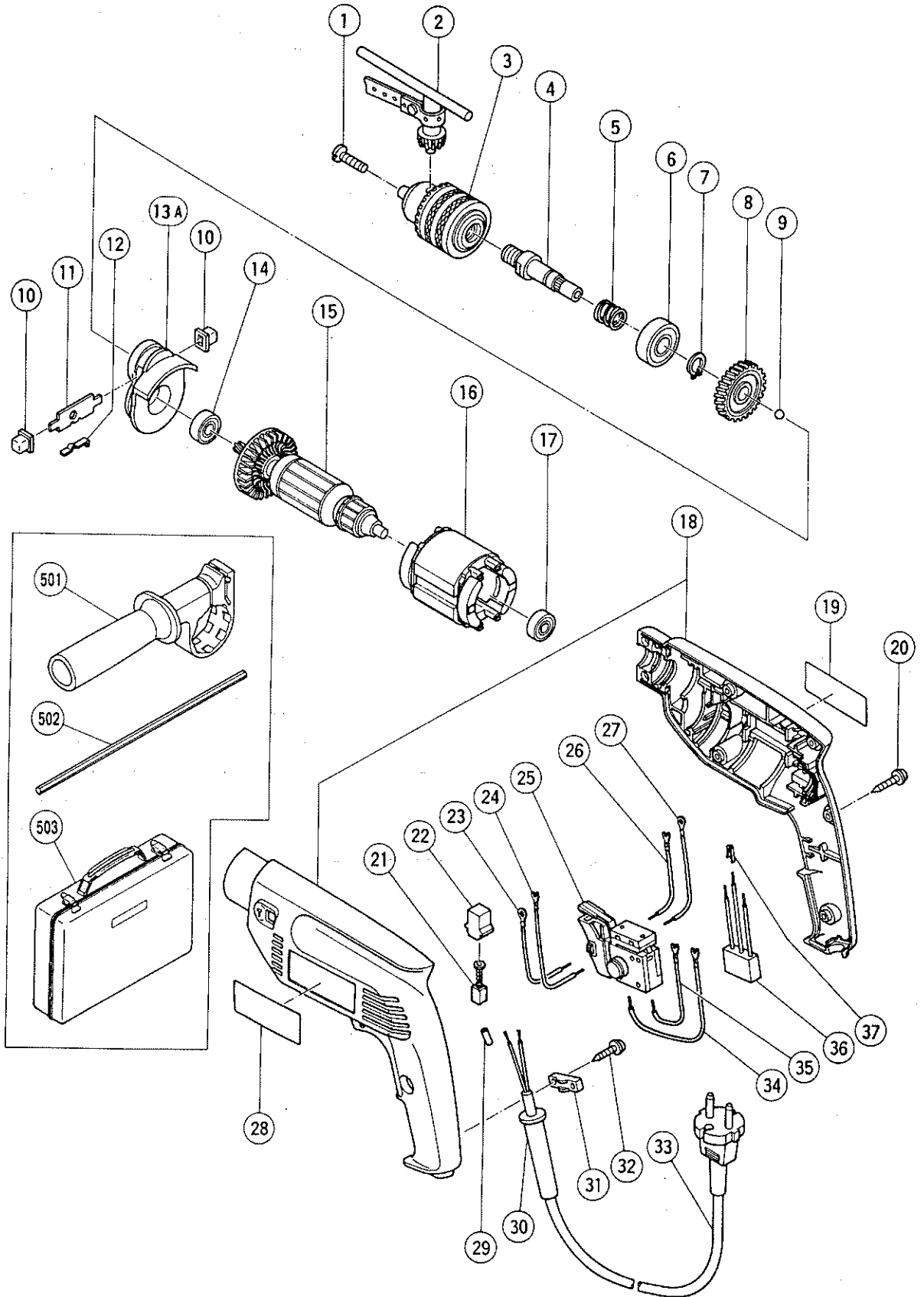


ELECTRIC TOOL PARTS LIST

■ IMPACT DRILL
Model FDV 15V

1992 · 8 · 31
(E2)



PARTS

FDV 15V

ITEM NO.	CODE NO.	DESCRIPTION	NO. USED	REMARKS
1	995-344	FLAT HD. SCREW (A) (LEFT HAND) M6X25	1	
2	987-576	CHUCK WRENCH FOR 13VLB - D,13VLR - D	1	
3		DRILL CHUCK 13VLR - D	1	INCLUD.2
4	303-758	SPINDLE	1	
5	303-651	SPRING	1	
6	620-1VV	BALL BEARING 6201VVCMP2S	1	
7	939-542	RETAINING RING FOR D12 SHAFT (10 PCS.)	1	
8	987-073	GEAR	1	
9	959-149	STEEL BALL D4.76 (10 PCS.)	1	
10	963-225	CHANGE KNOB	2	
11	963-224	CHANGE PLATE	1	
12	963-226	SPRING (A)	1	
13A	305-088	HOLDER	1	
14	608-VVM	BALL BEARING 608VVMC2EPS2L	1	
* 15	360-207C	ARMATURE 110V - 115V	1	
* 15	360-207E	ARMATURE 220V - 230V	1	
* 15	360-207F	ARMATURE 230V - 240V	1	FOR SRI,SIN,KUW,NGU,NZL,AUS,GBR,SAF
* 15	360-206	ARMATURE 100V	1	FOR KOR
* 16	340-222C	STATOR 110V - 115V	1	
* 16	340-222E	STATOR 220V	1	
* 16	340-222F	STATOR 230V - 240V	1	
* 16	340-221	STATOR 100V	1	FOR KOR
17	626-VVM	BALL BEARING 626VVMC2ERPS2S	1	
18	303-664	HOUSING (A),(B) SET	1	
19		NAME PLATE	1	
20	302-086	TAPPING SCREW (W/FLANGE) D4X20 (BLACK)	7	
21	999-041	CARBON BRUSH (1 PAIR)	2	
22	930-483	BRUSH HOLDER	2	
* 23	303-660	INTERNAL WIRE (A)	1	
* 23	303-665	CHOKE COIL	1	FOR NZL,GBR,SAF,ITA,FRG,HOL,DEN,FIN, SWE,AUT,NOR,SUI
24	303-657	INTERNAL WIRE (D)	1	
* 25	303-653	SWITCH (L) (2P PILLAR TYPE) W/LOCK	1	FOR 100V - 127V
* 25	303-663	SWITCH (M) (2P PILLAR TYPE) W/LOCK	1	FOR 220V - 240V
26	303-656	INTERNAL WIRE (C)	1	
* 27	303-661	INTERNAL WIRE (B)	1	
* 27	303-666	CHOKE COIL	1	FOR NZL,GBR,SAF,ITA,FRG,HOL,DEN,FIN, SWE,AUT,NOR,SUI
28		HITACHI LABEL	1	
* 29	981-373	TUBE (D)	2	FOR CORD
* 30	303-662	CORD ARMOR D8.8	1	
* 30	980-193	CORD ARMOR D10.2	1	
* 31	960-266	CORD CLIP	1	
* 32	984-750	TAPPING SCREW (W/FLANGE) D4X16	2	
* 33	500-409Z	CORD	1	(CORD ARMOR D8.8)
* 33	500-421Z	CORD	1	(CORD ARMOR D8.8) FOR SIN,SAU,KUW
* 33	500-226Z	CORD	1	(CORD ARMOR D8.8) FOR NGU,NZL,AUS
* 33	303-667	CORD	1	(W/CORD ARMOR) FOR TPE,THA,KOR
* 33	500-231Z	CORD	1	(CORD ARMOR D8.8) FOR GBR,SAF
* 33	500-240Z	CORD	1	(CORD ARMOR D8.8) FOR USA,CAN
* 33	500-395Z	CORD	1	(CORD ARMOR D8.8) FOR SUI

*: ALTERNATIVE PARTS

STANDARD ACCESSORIES

ITEM NO.	CODE NO.	DESCRIPTION	NO. USED	REMARKS
501	303-859	SIDE HANDLE	1	
502	303-709	DEPTH GAUGE	1	
* 503	303-843	CASE	1	FOR TPE,KOR
* 503	950-530	CASE	1	FOR HOL,USA

OPTIONAL ACCESSORIES

ITEM NO.	CODE NO.	DESCRIPTION	NO. USED	REMARKS
601	879-345	HSS DRILL BIT SET (2,0,3,2,4,8,6.5MM)	1	
602	879-344	TCT DRILL BIT SET (4,6,8,10MM)	1	
603	879-347	+ DRIVER BIT SET (NO.1,2,3) 70L	1	
604	879-350	- DRIVER BIT SET (4,5,6MM) 50L	1	
605	879-346	WOOD BORING BIT SET (12,20,25MM)	1	

*: ALTERNATIVE PARTS