

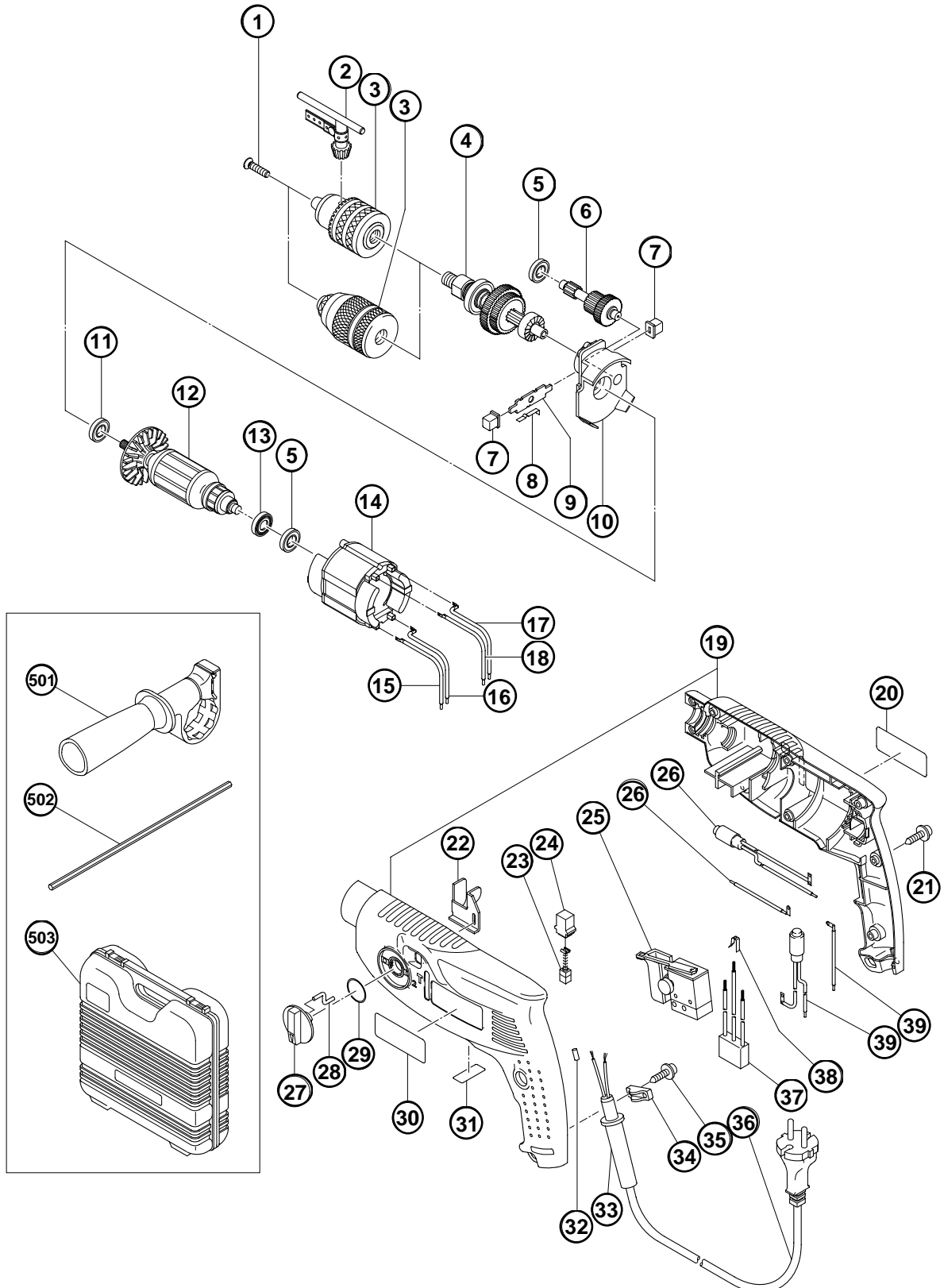
ELECTRIC TOOL PARTS LIST

■ IMPACT DRILL

2001•2•20

Model FDV 20VB

(E1)



PARTS

FDV 20VB

ITEM NO.	CODE NO.	DESCRIPTION	NO. USED	REMARKS
1	995-344	FLAT HD. SCREW (A) (LEFT HAND) M6X25	1	
* 2	987-576	CHUCK WRENCH FOR 13VLB-D,13VLR-D	1	FOR 13VLRB-D
* 3		DRILL CHUCK 13VLRB-D	1	INCLUD.2
* 3	319-546	DRILL CHUCK 13VLR-N (W/O CHUCK WRENCH)	1	
4	319-601	SPINDLE AND GEAR SET	1	
5	608-VVM	BALL BEARING 608VVC2PS2L	2	
6	319-605	SECOND PINION	1	
7	319-604	CHANGE KNOB	2	
8	963-226	SPRING (A)	1	
9	319-603	CHANGE PLATE	1	
10	319-602	HOLDER	1	
11	608-DDM	BALL BEARING 608DDC2PS2L	1	
* 12	360-548U	ARMATURE ASS'Y 110V-115V	1	INCLUD.5,11,13
* 12	360-548E	ARMATURE 220V-230V	1	
* 12	360-548F	ARMATURE 240V	1	
13	319-609	DUST SEAL	1	
* 14	340-496C	STATOR 110V-115V	1	
* 14	340-496E	STATOR 220V-230V	1	
* 14	340-496F	STATOR 240V	1	
15	303-655	INTERNAL WIRE (B) (GRAY)	1	
16	319-612	INTERNAL WIRE (WHITE)	1	
17	319-611	INTERNAL WIRE (RED)	1	
18	303-656	INTERNAL WIRE (C) (BLACK)	1	
* 19	319-644	HOUSING (A).(B) SET (MOSS GREEN)	1	
* 19	319-615	HOUSING (A).(B) SET (OFF BLACK GREEN)	1	
* 20		NAME PLATE	1	
21	302-086	TAPPING SCREW (W/FLANGE) D4X20 (BLACK)	9	
22	319-607	SHIFT ARM	1	
23	999-041	CARBON BRUSH (1 PAIR)	2	
24	955-203	BRUSH HOLDER	2	
* 25	314-916	SPEED CONTROL SWITCH (2P) 100V-115V	1	
* 25	314-921	SPEED CONTROL SWITCH (2P) 220V-240V	1	
* 26	319-614	INTERNAL WIRE (BROWN)	1	
* 26	319-643	CHOKE COIL (BROWN)	1	FOR CHN,SAF,EUROPE,OCEANIA
27	319-606	SHIFT LEVER	1	
28	319-608	SHIFT PIN	1	
29	875-638	O-RING (S-12)	1	
* 30		HITACHI LABEL	1	
31		LABEL	1	
* 32	981-373	TUBE (D)	2	FOR CORD
* 33	307-217	CORD ARMOR D7.2	1	
* 33	303-662	CORD ARMOR D8.8	1	
34	960-266	CORD CLIP	1	
35	305-812	TAPPING SCREW (W/FLANGE) D4X16 (BLACK)	2	
* 36	303-667	CORD	1	
* 36	500-409Z	CORD	1	(CORD ARMOR D8.8) FOR CHN,SAF,EUROPE
* 36	500-423Z	CORD	1	(CORD ARMOR D8.8) FOR KUW
* 36	500-447Z	CORD	1	(CORD ARMOR D8.8) FOR SYR,CHI
* 36	500-439Z	CORD	1	(CORD ARMOR D8.8) FOR OCEANIA
* 36	500-436Z	CORD	1	(CORD ARMOR D7.2) FOR GBR
* 36	500-240Z	CORD	1	(CORD ARMOR D8.8) FOR USA,CAN

