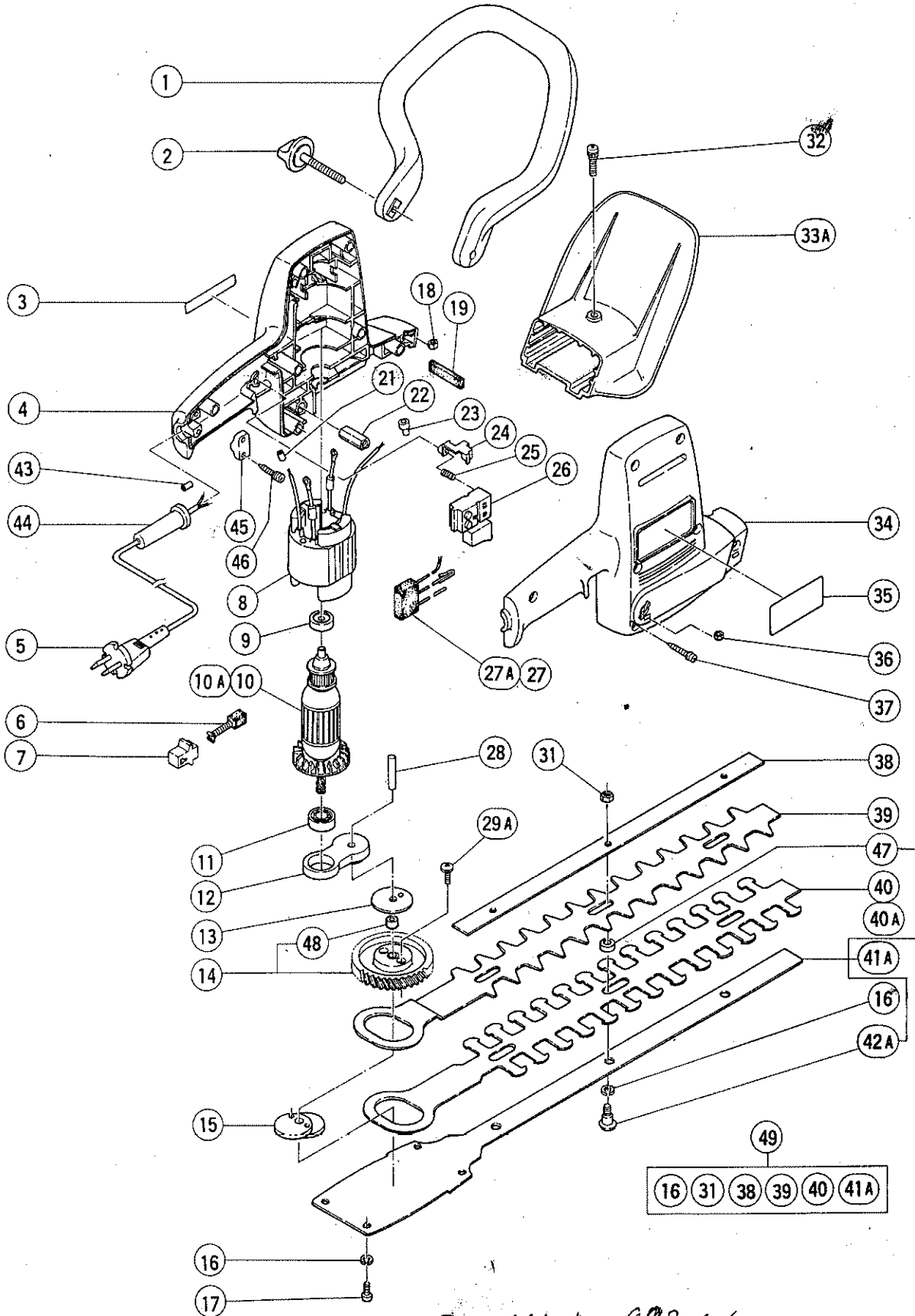


## ELECTRIC TOOL PARTS LIST

■ 350mm HEDGE TRIMMER  
 Model FH35SA

1988.3.20  
 FH35SA(E9)



29 act. No. 983162 + 949453

## PARTS

FH35SA (E3)

Item No.	Code No.	Part Name	Q'ty	Remarks
1	990542	Sub Handle	1	
2	990543	Knob Bolt	2	
3	957561	HITACHI Label	1	
4	—	Housing (A)	1	See laternative parts
5	—	Cord	1	See laternative parts
6	999041	Carbon Brush	2	(2 pcs.)
7	930483	Brush Holder	2	
8	—	Stator	1	See alternative parts
9	939239	Ball Bearing (626VVC2)	1	
10	—	Armature	1	See alternative parts
11	939291	Ball Bearing (608VVC2)	1	
12	990536	Holder	1	
13	954937	Washer (B)	1	
14	990537	Gear Ass'y	1	includ. 48
15	990532	Crank Cam	1	
16	949454	Spring Lock Washer	7	for M5 (10 pcs.)
17	949236	Machine Screw M5 x 10	4	(10 pcs.)
18	949566	Lock Nut M5	1	(10 pcs.)
19	954366	Dust Felt	1	
21	—	Tube (D)	1	See alternative parts
22	990539	Nut M5 x 25	1	
23	—	Connector	1	See alternative parts (10 pcs.)
24	990544	Stopper Piece	1	
25	990545	Spring (C)	1	
26	—	Switch	1	See alternative parts
27	—	Noise Suppressor	1	See alternative parts
28	990538	Pin	1	
29A	990566	Special Screw M4 x 12	2	w/Spring Lock Washer
31	945255	U-Nut M5	3	
32	990541	Machine Screw M5 x 16	1	w/Spring Lock Washer, Bolt Washer
33A	990540	Protector	1	
34	—	Housing (B)	1	See alternative parts
35	—	Name Plate	1	
36	949555	Nut M5	4	(10 pcs.)
37	982095	Tapping Screw D4 x 20	7	w/Washer
38	990534	Holder Plate	1	
39	990531	Blade (A)	1	
40	—	Blade (B)	1	See alternative parts
41A	990562	Blade Holder Ass'y	1	includ. 42A, 47
42A	949239	Machine Screw M5 x 16	3	(10 pcs.)
43	—	Tube (D)	1~2	See alternative parts
44	—	Cord Armor	1	See alternative parts
45	—	Cord Clip	2	See alternative parts
46	—	Tapping Screw	2	See alternative parts
47	990561	Distance Piece	3	
48	990564	Metal	1	
49	990565	Blade Ass'y	1	includ. 16, 31, 38, 39, 40, 41A, 42A, 47

## ALTERNATIVE PARTS

FH35SA (E3)

Item No.	Code No.	Part Name	Q'ty	Remarks
4	990546	Housing (A)	1	Color: Green
	990558	Housing (A)	1	Color: Moss Green
5	987091	Cord 110V~120V	1	w/Cord Armor
	987149	Cord 127V~240V	1	w/Cord Armor
	500409Z	Cord 110V~220V	1	for Indonesia, Portugal (Cord Armor D8.2)
	500245Z	Cord 110V~220V	1	for Syria (Cord Armor D10.2)
	500248Z	Cord 220V	1	for Switzerland (Cord Armor D8.2)
	500223Z	Cord 230V~240V	1	for Singapore, Kuwait (Cord Armor D10.2)
	500231Z	Cord 230V~240V	1	for U.K., S. Africa (Cord Armor D8.2)
	500226Z	Cord 230V	1	for N.Z. (Cord Armor D8.2)
	500405Z	Cord 240V	1	for Papua New Guinea (Cord Armor D10.2)
	500234Z	Cord 220V	1	for Italy, F.R. Germany, France, Netherlands, Denmark, Finland, Sweden, Austria, Norway (Cord Armor D8.2)
8	990551C	Stator 110V~127V	1	
	990551E	Stator 220V	1	
	990551F	Stator 230V~240V	1	
	990661G	Stator 220V	1	for Italy, F.R. Germany, France, Netherlands, Denmark, Finland, Sweden, Austria, Norway, Switzerland
	990551H	Stator 230V~240V	1	for U.K., N.Z.
10	987120C	Armature 110V~127V	1	
10A	987120E	Armature 220V	1	
	987120F	Armature 230V~240V	1	
21	981373	Tube (D)	1~2	
23	959140	Connector (50091)	1	(10 pcs.)
26	990549	Single Pole Switch (Pillar Type)	1	
	990744	Single Pole Switch (Pillar Type)	1	for N.Z., U.K., S. Africa, Italy, F.R. Germany, France, Netherlands, Denmark, Finland, Sweden, Austria, Norway, Switzerland
27	993874	Noise Suppressor	1	for Denmark
	991727	Noise Suppressor	1	for N.Z., U.K., S. Africa, F.R. Germany, France, Netherlands, Finland, Sweden, Austria, Norway
	990788	Noise Suppressor	1	for Switzerland
27A	990791	Noise Suppressor	1	for Italy
34	990547	Housing (B)	1	Color: Green
	990560	Housing (B)	1	Color: Moss Green
40	990533	Blade (B)	1	
40A	990567	Blade (B)	1	for F.R. Germany
43	981373	Tube (D)	1~2	
44	930026	Cord Armor (D10.2)	1	
	930487	Cord Armor (D8.2)	1	
45	960266	Cord Clip	1	for Cord Armor
46	984750	Tapping Screw D4 x 16	2	w/Flange for Cord Armor