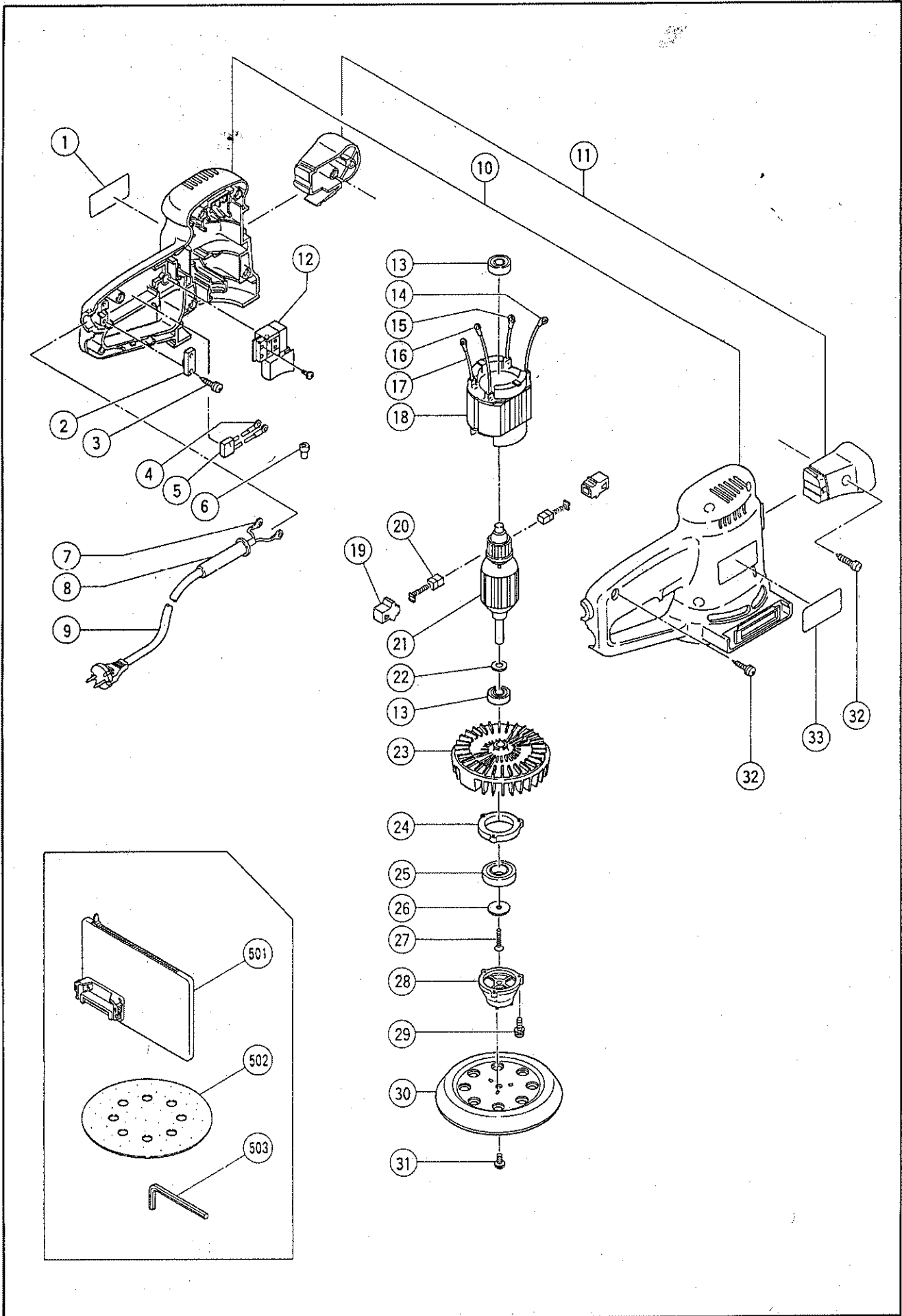


Assembly Diagram for FSV13YA



PARTS

FSV 13YA

ITEM NO.	CODE NO.	DESCRIPTION	NO. USED	REMARKS
1		HITACHI LABEL	1	
2	960-266	CORD CLIP	1	FOR TPE,INA,SIN,NZL,GBR,FRG,HOL,DEN,AUT, CHN
3	984-750	TAPPING SCREW (W/FLANGE) D4X16	2	FOR TPE,INA,SIN,NZL,GBR,FRG,HOL,DEN,AUT, CHN
4	980-063	TERMINAL	2	FOR NOISE SUPPRESSOR
5	930-039	NOISE SUPPRESSOR	1	FOR NZL,GBR,FRG,HOL,DEN,AUT
6	959-140	CONNECTOR 50081 (10 PCS.)	1	FOR INA,SIN
7	980-063	TERMINAL	2	FOR CORD
8	307-217	CORD ARMOR D7.2	1	
8	303-602	CORD ARMOR D8.8	1	
8	980-193	CORD ARMOR D10.2	1	
9	500-408Z	CORD	1	(CORD ARMOR D8.8)
9	930-051	CORD	1	(CORD ARMOR D10.2) FOR TPE
9	303-667	CORD	1	(W/CORD ARMOR) FOR THA
9	500-423Z	CORD	1	(CORD ARMOR D8.8) FOR SIN
9	500-226Z	CORD	1	(CORD ARMOR D8.8) FOR NZL
9	500-436Z	CORD	1	(CORD ARMOR D7.2) FOR GBR
10	309-384	HOUSING (A),(B) SET	1	
11	308-512	FRONT KNOB ASS'Y	1	INCLUDED,32
12	305-817	SWITCH (D) (1P SCREW TYPE) W/LOCK	1	
12	305-819	SWITCH (E) (1P SCREW TYPE) W/LOCK	1	FOR NZL,GBR,FRG,HOL,DEN,AUT,CHN
13	608-VVM	BALL BEARING 608VVMC2E2PS2L	2	
14	309-429	INTERNAL WIRE	1	
14	309-430	INTERNAL WIRE	1	FOR NZL,GBR,FRG,HOL,DEN,AUT,CHN
15	305-808	INTERNAL WIRE (A)	1	
16	305-807	INTERNAL WIRE (A)	1	
17	309-385	INTERNAL WIRE	1	
18	340-301C	STATOR 110V - 115V	1	
18	340-301E	STATOR 220V - 230V	1	
18	340-301F	STATOR 240V	1	
19	930-483	BRUSH HOLDER	2	
20	999-041	CARBON BRUSH (1 PAIR)	2	
21	360-341U	ARMATURE ASSY 110V - 115V	1	INCLUDED,13,22
21	360-341E	ARMATURE 220V - 230V	1	
21	360-341F	ARMATURE 240V	1	
22	954-184	WASHER (D)	1	
23	309-424	BALANCER FAN	1	
24	309-423	BEARING COVER	1	
25	600-2DD	BALL BEARING 6002DDUCMPSS2S	1	
26	309-422	WASHER	1	
27	949-322	FLAT HD. SCREW M4X10 (10 PCS.)	1	
28	309-421	BEARING HOLDER	1	
29	302-937	MACHINE SCREW (W/WASHERS) M3X16	3	
30	309-419	PAD (PRESSURE SENSITIVE TYPE)	1	
31	309-420	HEX. SOCKET BUTTON BOLT M6X10	1	
32	301-653	TAPPING SCREW (W/FLANGE) D4X20 (BLACK)	6	
33		NAME PLATE	1	

*: ALTERNATIVE PARTS

