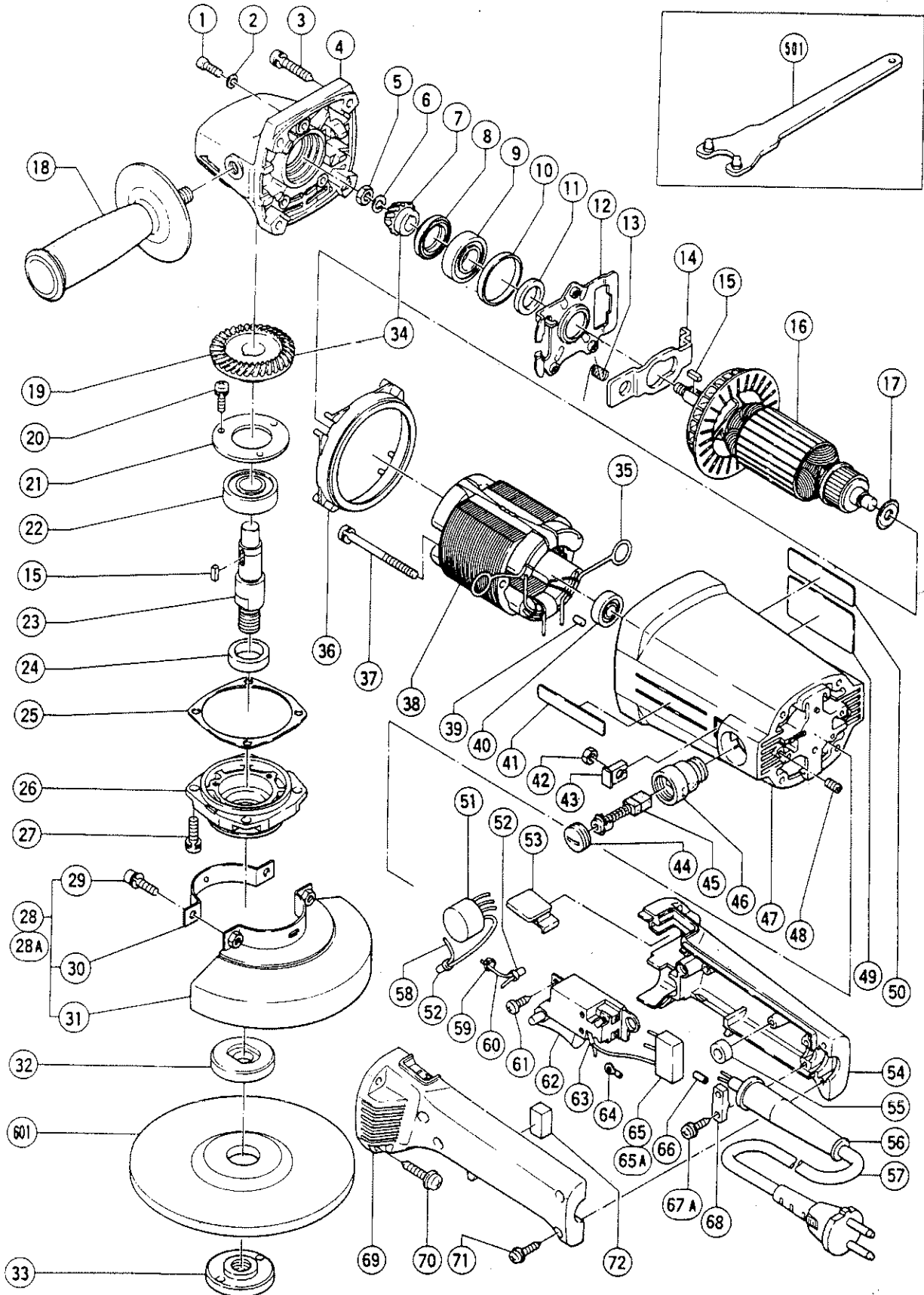


ELECTRIC TOOL PARTS LIST

■ DISC GRINDER
Model G15SA

1987·11·15
G15SA(E2)



PARTS

G15SA(E2)

Item No.	Code No.	Part Name	Q'ty	Remarks
1	983162	Hexagon Socket Hd. Bolt M4 x 12	3	Seal Lock Bolt
2	949453	Spring Lock Washer	3	for M4 (10 pcs.)
3	986011	Tapping Screw D5 x 30	4	w/Spring Lock Washer
4	994145	Gear Cover	1	
5	949567	Lock Nut M6	1	
6	949455	Spring Lock Washer	1	for M6 (10 pcs.)
7	937070	Pinion	1	
8	994173	Seal Ring	1	
9	971673	Ball Bearing (6002DDCM)	1	
10	990846	Rubber Ring	1	
11	953235	Felt Packing (A)	1	
12	994146	Bearing Cover	1	
13	994148	Spring	1	
14	994147	Lock Plate	1	
15	940533	Feather Key 3 x 3 x 10	2	
16	—	Armature	1	See alternative parts
17	956387	Dust Seal (A)	1	
18	994322	Side Handle	1	
19	994144	Gear	1	
20	987203	Machine Screw M4 x 12	3	Seal Lock Screw w/Spring Lock Washer
21	937077	Bearing Cover (A)	1	
22	939494	Ball Bearing (6202VVCMP2)	1	
23	—	Spindle	1	See alternative parts
24	938403	Felt Packing	1	
25	953239	Seal Packing (A)	1	
26	938397	Packing Gland	1	
27	993985	Machine Screw M5 x 16	4	Seal Lock Screw w/Spring Lock Washer
28	—	Wheel Guard Ass'y	1	See alternative parts
29	—	Machine Screw M5 x 16	1~2	See alternative parts
30	—	Set Ring (A)	1	See alternative parts
31	—	Wheel Guard (A)	1	See alternative parts
32	—	Wheel Washer (A)	1	See alternative parts
33	—	Wheel Nut	1	See alternative parts
34	994143	Gear Ass'y	1	includ. 7, 19
35	930703	Brush Terminal	2	
36	994149	Fan Guide	1	
37	985941	Machine Screw M5 x 65	2	w/Spring Lock Washer
38	—	Stator Ass'y	1	See alternative parts
39	931701	Bearing Lock	1	
40	939291	Ball Bearing (608VVC2)	1	
41	957561	HITACHI Label	1	
42	949555	Nut M5	2	(10 pcs.)
43	953232	Nut Cover	2	
44	945161	Brush Cap	2	
45	999043	Carbon Brush	2	(2 pcs.)
46	958900	Brush Holder	2	
47	953230	Housing Ass'y	1	includ. 46, 48
48	932668	Hexagon Socket Hd. Set Screw M4 x 10	2	
49	—	Name Plate	1	
50	—	Caution Plate	1	See alternative parts
51	—	Choke Coil	1	See alternative parts
52	—	Connector	1~5	See alternative parts
53	938408Z	Hole Cover (A)	1	

PARTS

G15SA(E2)

Item No.	Code No.	Part Name	Q'ty	Remarks
54	953258	Handle (A)	1	
55	940811	Pushing Holder	1	
56	—	Cord Armor	1	See alternative parts
57	—	Cord	1	See alternative parts
58	—	Internal Wire	1	See alternative parts
59	983684	Wire Band	1	
60	—	Internal Wire	1	See alternative parts
61	954017	Tapping Screw	D4 x 12	1
62	—	Switch	1	See alternative parts
63	—	Tube (D)	2	See alternative parts
64	—	Terminal	1	See alternative parts
65	—	Noise Suppressor	1	See alternative parts
66	—	Tube (D)	2	See alternative parts
67A	984750	Tapping Screw	D4 x 16	2 w/Flange
68	937631	Cord Clip	1	
69	953259	Handle (B)	1	
70	985605	Tapping Screw	D5 x 25	4 w/Washer
71	982095	Tapping Screw	D4 x 20	3 w/Washer
72	994151	Rubber Plate	1	

ALTERNATIVE PARTS

Item No.	Code No.	Part Name	Q'ty	Remarks
16	360025C	Armature	110V ~ 127V	1
	360025E	Armature	220V	1
	360025F	Armature	230V	1
	360025G	Armature	220V	1 for Italy, France, Netherlands, Denmark, Sweden, Norway
23	994141	Spindle	1	
	994142	Spindle	1	for Thailand
28	994140	Wheel Guard Ass'y	1	includ. 29 ~ 31
28A	994152	Wheel Guard Ass'y	1	for Italy, Netherlands includ. 29
29	987512	Machine Screw	M5 x 16	2 w/Spring Lock Washer
	987512	Machine Screw	M5 x 16	1 w/Spring Lock Washer for Italy, Netherlands
30	938402	Set Ring (A)	1	
31	938401Z	Wheel Guard (A)	1	
32	937907Z	Wheel Washer (A)	1	
	937928Z	Wheel Washer (A)	1	for Thailand
33	937909Z	Wheel Nut	1	
	937929Z	Wheel Nut	1	for Thailand
38	340026C	Stator Ass'y	110V ~ 127V	1 includ. 35
	340026E	Stator Ass'y	220V	1 includ. 35
	340026F	Stator Ass'y	230V	1 includ. 35
	340026G	Stator Ass'y	220V	1 for Italy, F.R. Germany, France, Netherlands, Denmark, Sweden, Norway, Switzerland includ. 35
	340026K	Stator Ass'y	230V	1 for N.Z. includ. 35

ALTERNATIVE PARTS

G15SA(E2)

Item No.	Code No.	Part Name	Q'ty	Remarks
50	937833Z	Caution Plate	1	
	981017Z	Caution Plate	1	for France,
	981016Z	Caution Plate	1	for F.R. Germany, Switzerland
51	955908	Choke Coil	1	for N.Z.
52	959140	Connector (50091)	1~5	for N.Z., Italy, F.R. Germany, etc. (10 pcs.)
56	940778	Cord Armor D10.7	1	
	958049Z	Cord Armor D8.2	1	
57	500234Z	Cord 110V ~ 220V	1	(Cord Armor D8.2)
	950543Z	Cord 110V ~ 240V	1	(Cord Armor D10.7)
	500245Z	Cord 110V ~ 220V	1	for Syria (Cord Armor D10.7)
	500247Z	Cord 220V	1	for Sweden, Norway (Cord Armor D10.7)
	500248Z	Cord 220V	1	for Switzerland (Cord Armor D10.7)
	500223Z	Cord 230V ~ 240V	1	for Singapore, Kuwait (Cord Armor D10.7)
	971519Z	Cord 230V	1	for N.Z. (Cord Armor D8.2)
	500405Z	Cord 240V	1	for Papua New Guinea (Cord Armor D10.7)
58	994150	Internal Wire	1	for N.Z.
60	981010	Internal Wire	1	for N.Z., Italy, F.R. Germany, France, Netherlands, Denmark
	937633	Internal Wire	1	for Switzerland
62	931573	Double Pole Switch (Pillar Type)	1	w/Lock
	953178	Double Pole Switch (Pillar Type)	1	w/Lock for France, Denmark
63	981373	Tube (D)	2	for Noise Suppressor
64	980063	Terminal	1	for Noise Suppressor
65	991312	Noise Suppressor	1	for N.Z., F.R. Germany, France, Netherlands, Sweden, Norway
	982043Z	Noise Suppressor	1	for Switzerland
65A	971828	Noise Suppressor	1	for Denmark, Italy
66	981373	Tube (D)	2	for Cord

STANDARD ACCESSORIES

Item No.	Code No.	Part Name	Q'ty	Remarks
501	937913Z	Wrench	1	

OPTIONAL ACCESSORIES

Item No.	Code No.	Part Name	Q'ty	Remarks
601	938390Z	Resinoid Wheel 150 mm	1	
602	994309	Handle Joint	1	(10 pcs.)