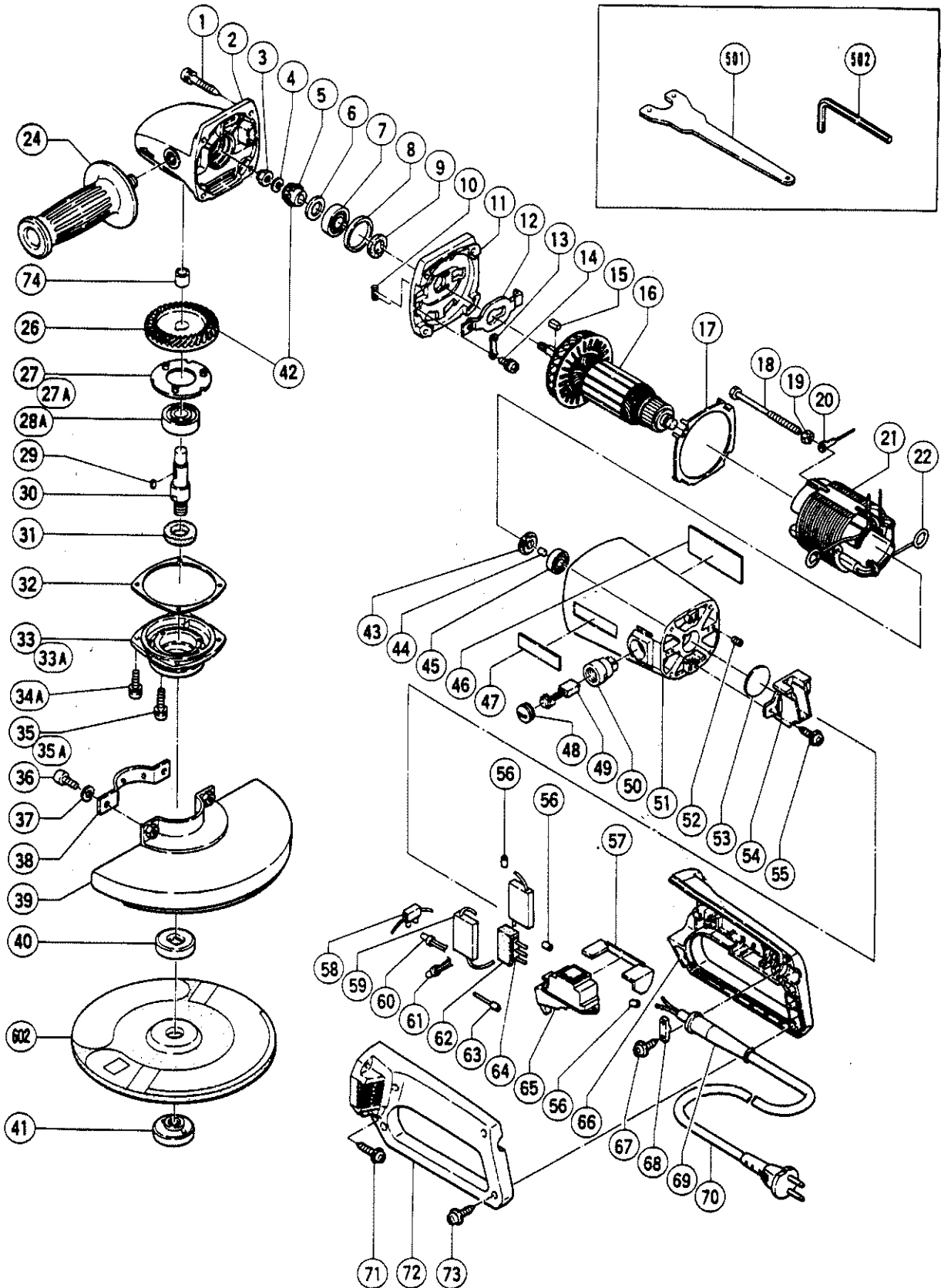


## ELECTRIC TOOL PARTS LIST

■ DISC GRINDER  
Model G 18SD

1992 · 8 · 31  
(E4)



## PARTS

G 18SD

ITEM NO.	CODE NO.	DESCRIPTION	NO. USED	REMARKS
1	983-454	TAPPING SCREW (W/SP. WASHER) D5X40	4	
2	990-845	GEAR COVER ASSY	1	INCLUD.74
3	946-228	U - NUT M8	1	
4	957-042	SUPER LOCK WASHER M8	1	
5	990-882	PINION	1	
6	994-173	SEAL RING	1	
7	620-1DD	BALL BEARING 6201DDUCMAV2S	1	
8	990-846	RUBBER RING	1	
9	990-864	FELT PACKING (A)	1	
10	990-843	SPRING	1	
11	990-862	INNER COVER	1	
12	990-842	LOCK PLATE	1	
13	990-844	PLATE HOLDER	1	
14	993-982	SEAL LOCK SCREW (W/SP. WASHER) M4X8	2	
15	940-533	FEATHER KEY 3X3X10	1	
16	990-860E	ARMATURE 220V	1	
17	990-851	FAN GUIDE	1	
18	984-271	HEX. HD. TAPPING SCREW D5X75	2	
19	956-764	SPECIAL WASHER	2	
20	994-190	INTERNAL WIRE	1	
21	990-859L	STATOR ASSY 220V	1	INCLUD.22
22	937-623	BRUSH TERMINAL	2	
24	937-981Z	SIDE HANDLE FOR M14	1	
26	993-995	GEAR	1	
27	990-853	BEARING COVER	1	TILL 12.1985
27A	937-035	BEARING COVER (B)	1	SINCE 1.1986
28A	630-2DD	BALL BEARING 6302DDUCMPS2S	1	
29	980-809	FEATHER KEY 4X4X8	1	
30	990-857	SPINDLE	1	
31	990-852	FELT PACKING (B)	1	
32	990-855	SEAL PACKING (B)	1	
33	990-854	PACKING GLAND	1	TILL 12.1985
33A	993-996	PACKING GLAND	1	SINCE 1.1986
34A	994-192	HEX. SOCKET HD. BOLT (W/FLANGE) M5X16	4	
35	994-191	SEAL LOCK SCREW (W/SP. WASHER) M4X25	3	TILL 12.1985
35A	992-038	SEAL LOCK SCREW (W/SP. WASHER) M5X10	3	SINCE 1.1986
36	949-656	HEX. SOCKET HD. BOLT M8X20 (10 PCS.)	2	
37	949-457	SPRING WASHER M8 (10 PCS.)	2	
38	937-911	SET RING (A)	1	
39	937-934Z	WHEEL GUARD	1	
40	937-907Z	WHEEL WASHER (A)	1	
41	937-909Z	WHEEL NUT M14X2	1	
42	993-994	GEAR ASSY	1	INCLUD.5.26
43	944-433	DUST SEAL	1	
44	931-701	BEARING LOCK	1	
45	600-0VV	BALL BEARING 6000VVCMP2S	1	
46		NAME PLATE	1	
47	983-865	HITACHI LABEL	1	
48	945-161	BRUSH CAP	2	
49	999-038	CARBON BRUSH (1 PAIR)	2	
50	938-241	BRUSH HOLDER	2	

\*: ALTERNATIVE PARTS



