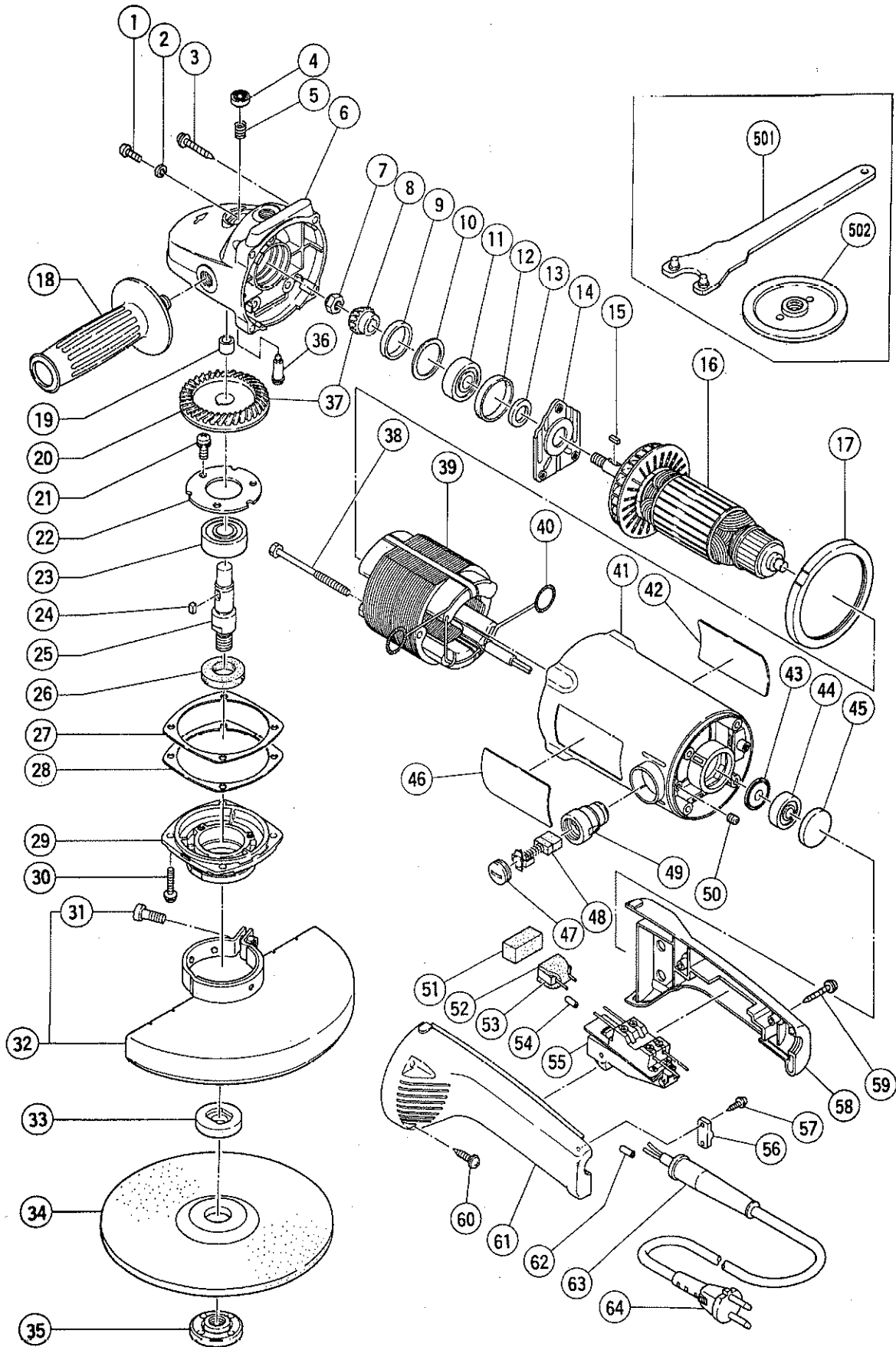


## ELECTRIC TOOL PARTS LIST

■ DISC GRINDER  
Model G 18SH

1992 · 10 · 10  
(E1)



## PARTS

G 18SH

ITEM NO.	CODE NO.	DESCRIPTION	NO. USED	REMARKS	
1	949-238	MACHINE SCREW M5X14 (10 PCS.)	3		
2	949-454	SPRING WASHER M5 (10 PCS.)	3		
3	301-654	TAPPING SCREW (W/FLANGE) D5X35	4		
4	306-888	PUSH BUTTON	1		
5	306-889	SPRING	1		
6	306-105	GEAR COVER ASS'Y	1	INCLUD.4,5,19,36	
7	946-228	U - NUT M8	1		
8	306-123	PINION	1		
9	306-107	SEAL RING (A)	1		
10	306-113	WASHER (A)	1		
11	630-1DD	BALL BEARING 6301DDUCMPS2S	1		
12	994-208	RUBBER RING (B)	1		
13	990-864	FELT PACKING (A)	1		
14	306-106	BEARING COVER	1		
15	940-533	FEATHER KEY 3X3X10	1		
*	16	360-288C	ARMATURE 110V	1	
*	16	360-288E	ARMATURE ASS'Y 220V - 240V	1	
	17	306-103	FAN GUIDE	1	
	18	937-981Z	SIDE HANDLE FOR M14	1	
	19	673-002	NEEDLE BEARING (HK1212)	1	
	20	306-122	GEAR	1	
	21	992-038	SEAL LOCK SCREW (W/SP. WASHER) M5X10	3	
	22	937-035	BEARING COVER (B)	1	
	23	630-2DD	BALL BEARING 6302DDUCMPS2S	1	
	24	980-809	FEATHER KEY 4X4X8	1	
*	25	990-857	SPINDLE	1	
*	25	994-218	SPINDLE	1	FOR THA
	26	990-852	FELT PACKING (B)	1	
	27	306-112	SEAL PLATE	1	
	28	306-981	THRUST WASHER	1	
	29	306-111	PACKING GLAND	1	
	30	994-192	HEX. SOCKET HD. BOLT (W/FLANGE) M5X16	4	
	31	306-887	BOLT M8X22	1	
	32	306-124	WHEEL GUARD ASS'Y	1	INCLUD.31
*	33	937-907Z	WHEEL WASHER (A)	1	
*	33	937-908Z	WHEEL WASHER (B)	1	FOR AUS
*	33	937-928Z	WHEEL WASHER (A) FOR D16 HOLE	1	FOR THA
*	34	937-933Z	D. C. WHEELS 180MM A24R (10 PCS.)	1	FOR INA,SYA,SAU,NZL,AUS,GRE,THA,KUW, SAF
*	35	937-909Z	WHEEL NUT M14X2	1	
*	35	937-929Z	WHEEL NUT M16	1	FOR THA
	36	306-890	LOCK PIN	1	
	37	306-121	GEAR ASS'Y	1	INCLUD.8,20
	38	961-501	HEX. HD. TAPPING SCREW D5X60	2	
*	39	340-263C	STATOR ASS'Y 110V	1	INCLUD.40
*	39	340-262E	STATOR ASS'Y 220V - 230V	1	INCLUD.40
*	39	340-262F	STATOR ASS'Y 240V	1	INCLUD.40
*	39	340-262G	STATOR ASS'Y 220V - 230V	1	INCLUD.40 FOR NZL,SAF,ITA,FRG,FRA,HOL, DEN,FIN,SWE,NOR,ESP
*	39	340-262H	STATOR ASS'Y 240V	1	INCLUD.40 FOR GBR
*	39	340-263G	STATOR ASS'Y 110V	1	INCLUD.40 FOR GBR

\*: ALTERNATIVE PARTS



