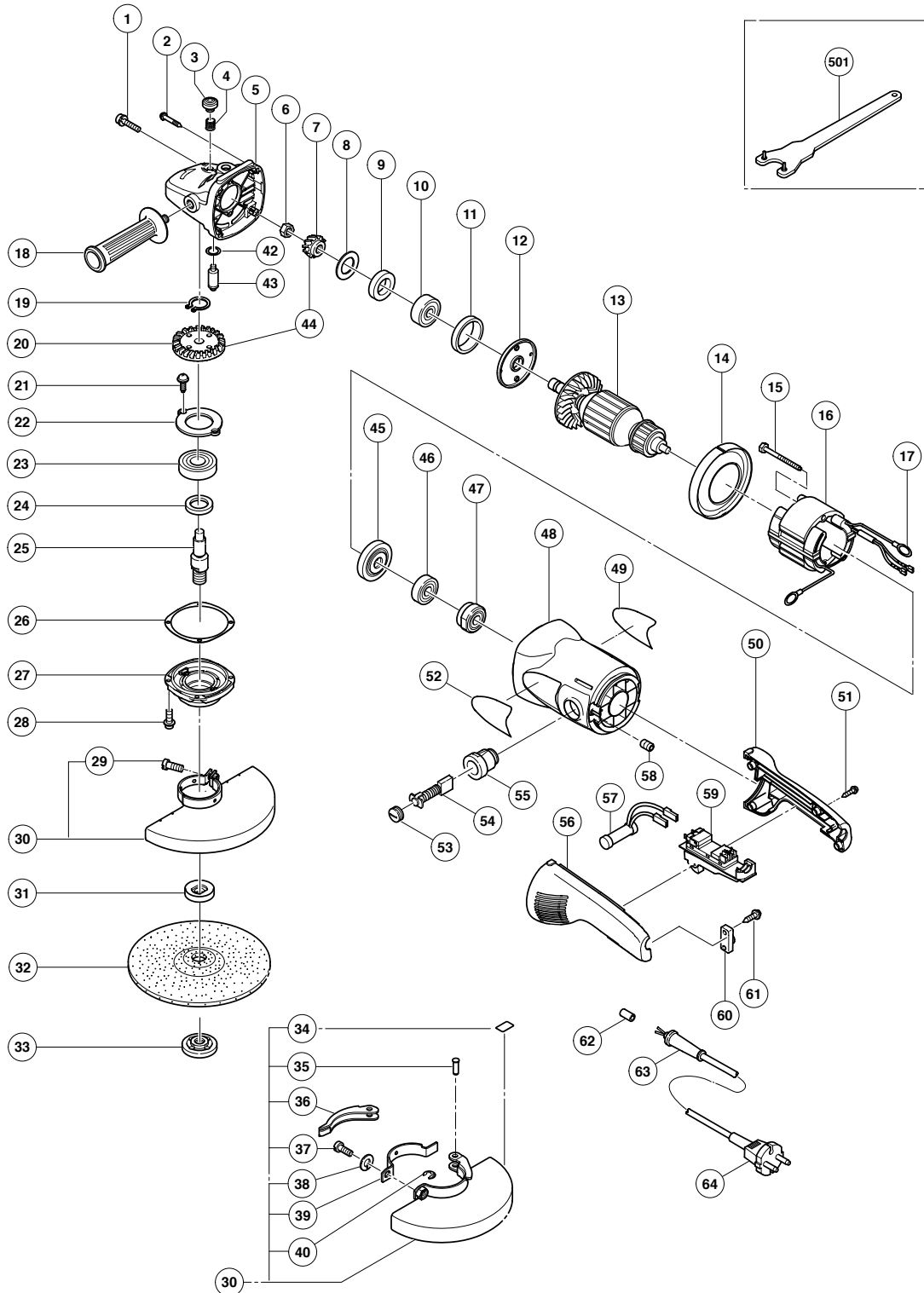


ELECTRIC TOOL PARTS LIST

DISC GRINDER
Model G 18SRU

2006 · 4 · 14
(E1)



PARTS

G 18SRU

ITEM NO.	CODE NO.	DESCRIPTION	NO. USED	REMARKS
1	315-636	SEAL LOCK SCREW (W/SP. WASHER) M5X14 (BLACK)	2	
2	323-209	TAPPING SCREW (W/FLANGE) D5X35 (BLACK)	4	
3	306-888	PUSHING BUTTON	1	
4	320-219	SPRING	1	
5	320-217	GEAR COVER ASS'Y	1	INCLUD. 3, 4, 42, 43
6	320-226	SPECIAL NUT M10	1	
7	320-225	PINION	1	
8	320-221	SEAL WASHER	1	
9	320-222	FELT PACKING	1	
10	630-1VV	BALL BEARING 6301VVCMP2L	1	
11	994-208	RUBBER RING (B)	1	
12	320-220	BEARING COVER (A)	1	
13	360-762E	ARMATURE 220V-240V	1	
14	320-215	FAN GUIDE	1	
15	961-501	HEX. HD. TAPPING SCREW D5X60	2	
16	340-664E	STATOR ASS'Y 220V-230V	1	INCLUD. 17
17	958-032	BRUSH TERMINAL	2	
18	937-981	SIDE HANDLE FOR M14	1	
19	939-542	RETAINING RING FOR D12 SHAFT (10 PCS.)	1	
20	320-224	GEAR	1	
21	949-236	MACHINE SCREW M5X10 (10 PCS.)	2	
22	320-229	BEARING COVER (B)	1	
23	630-2VV	BALL BEARING 6302VVCMP2L	1	
24	990-852	FELT PACKING (B)	1	
25	320-234	SPINDLE	1	
26	320-228	SEAL PLATE	1	
27	320-227	PACKING GLAND	1	
28	994-192	HEX. SOCKET HD. BOLT (W/FLANGE) M5X16	4	
* 29	306-887	BOLT M8X22	1	EXCEPT FOR HOL
* 30	306-124	WHEEL GUARD ASS'Y	1	INCLUD. 29
* 30	321-543	WHEEL GUARD ASS'Y	1	INCLUD. 34-40 FOR HOL
31	937-907Z	WHEEL WASHER (A)	1	
32	316-824	D. C. WHEELS 180MM A24R (25 PCS.)	1	
33	937-909Z	WHEEL NUT M14X2	1	
* 34	311-492	LABEL	1	FOR HOL
* 35	321-546	SET PIN	1	FOR HOL
* 36	321-545	LEVER	1	FOR HOL
* 37	306-887	BOLT M8X22	1	FOR HOL
* 38	949-457	SPRING WASHER M8 (10 PCS.)	1	FOR HOL
* 39	321-544	SET PIECE	1	FOR HOL
* 40	673-489	RETAINING RING (E-TYPE) FOR D5 SHAFT	1	FOR HOL
42	320-218	O-RING	1	
43	306-890	LOCK PIN	1	
44	320-223	GEAR AND PINION ASS'Y	1	INCLUD. 7, 20
45	320-216	DUST SEAL	1	
46	600-0VV	BALL BEARING 6000VVCMP2L	1	
47	321-536	BEARING BUSHING	1	
48	325-640	HOUSING	1	INCLUD. 47, 55, 58
49		HITACHI LABEL	1	
50	325-641	HANDLE (B)	1	
51	305-812	TAPPING SCREW (W/FLANGE) D4X16 (BLACK)	4	

