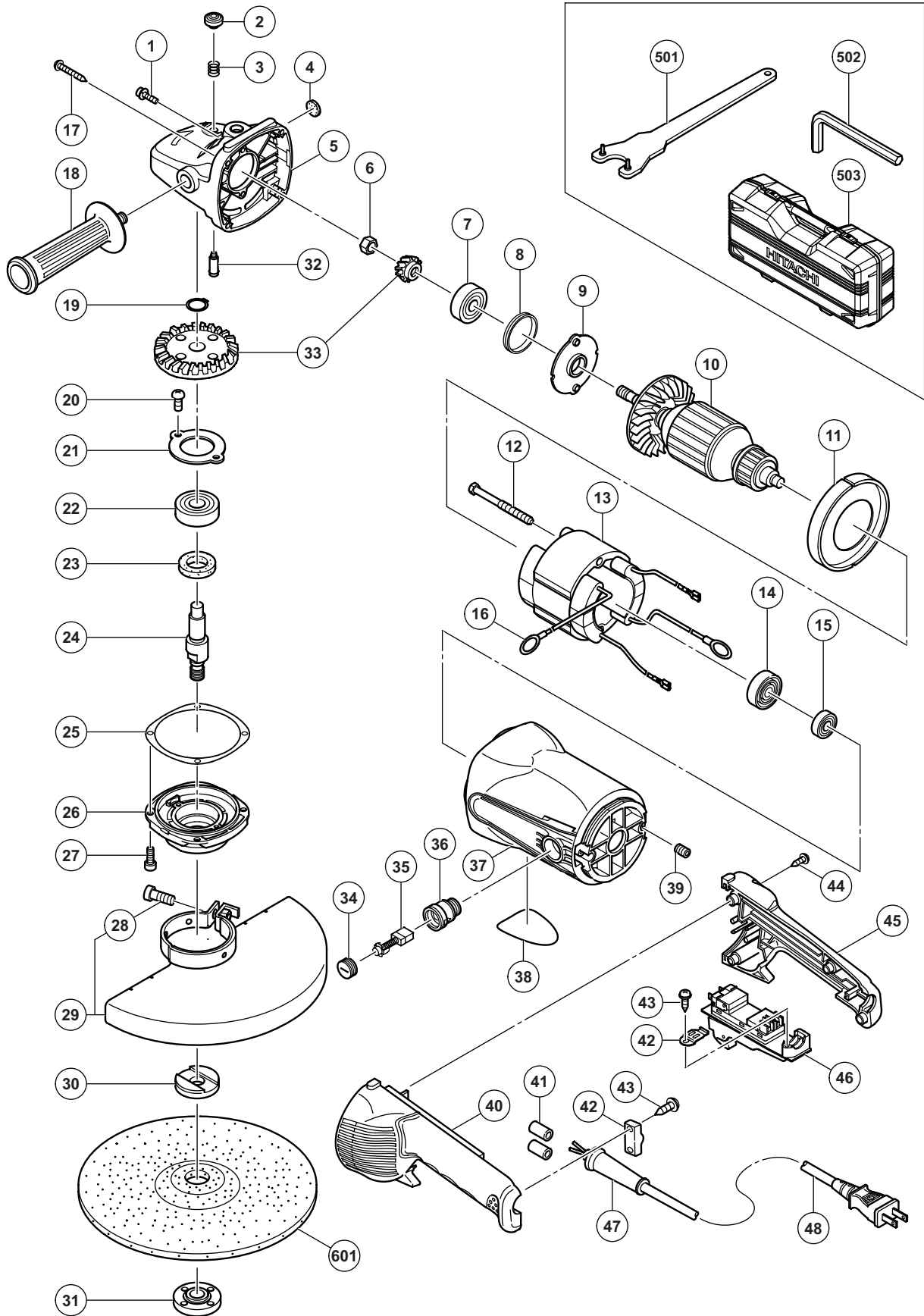


ELECTRIC TOOL PARTS LIST

DISC GRINDER Model G 23SW

2011·7·16
(E1)



PARTS

G 23SW

| ITEM NO. | CODE NO. | DESCRIPTION | NO. USED | REMARKS |
|----------|----------|--|----------|--------------------------------|
| 1 | 315-636 | SEAL LOCK SCREW (W/SP. WASHER) M5 X 14 (BLACK) | 2 | |
| 2 | 306-888 | PUSHING BUTTON | 1 | |
| 3 | 320-219 | SPRING | 1 | |
| 4 | 937-033 | FELT WASHER | 1 | |
| 5 | 330-080 | GEAR COVER ASS'Y | 1 | INCLUD. 2-4, 32 |
| 6 | 320-226 | SPECIAL NUT M10 | 1 | |
| 7 | 630-1VV | BALL BEARING 6301VVCMP2L | 1 | |
| 8 | 330-031 | RUBBER RING | 1 | |
| 9 | 330-030 | BEARING COVER | 1 | |
| * 10 | 360-921C | ARMATURE 110V | 1 | |
| * 10 | 360-921D | ARMATURE 120V-127V | 1 | |
| * 10 | 360-921E | ARMATURE 220V-230V | 1 | |
| * 10 | 360-921F | ARMATURE 240V | 1 | |
| 11 | 330-081 | FAN GUIDE | 1 | |
| 12 | 961-501 | HEX. HD. TAPPING SCREW D5 X 60 | 2 | |
| * 13 | 340-809C | STATOR ASS'Y 110V | 1 | INCLUD. 16 |
| * 13 | 340-809D | STATOR ASS'Y 120V-127V | 1 | INCLUD. 16 |
| * 13 | 340-809E | STATOR ASS'Y 220V-230V | 1 | INCLUD. 16 |
| * 13 | 340-809F | STATOR ASS'Y 240V | 1 | INCLUD. 16 |
| 14 | 330-029 | DUST SEAL | 1 | |
| 15 | 600-0VV | BALL BEARING 6000VVCMP2L | 1 | |
| 16 | 937-623 | BRUSH TERMINAL | 2 | |
| 17 | 323-209 | TAPPING SCREW (W/FLANGE) D5 X 35 (BLACK) | 4 | |
| 18 | 937-981 | SIDE HANDLE FOR M14 | 1 | |
| 19 | 939-542 | RETAINING RING FOR D12 SHAFT (10 PCS.) | 1 | |
| 20 | 949-236 | MACHINE SCREW M5 X 10 (10 PCS.) | 2 | |
| 21 | 320-229 | BEARING COVER (B) | 1 | |
| 22 | 630-2VV | BALL BEARING 6302VVCMP2L | 1 | |
| 23 | 990-852 | FELT PACKING (B) | 1 | |
| * 24 | 320-234 | SPINDLE | 1 | |
| * 24 | 321-541 | SPINDLE | 1 | FOR PAN (120V), MEX |
| 25 | 320-228 | SEAL PLATE | 1 | |
| 26 | 320-227 | PACKING GLAND | 1 | |
| 27 | 994-192 | HEX. SOCKET HD. BOLT (W/FLANGE) M5 X 16 | 4 | |
| 28 | 949-760 | HEX. SOCKET HD. BOLT M8 X 25 (10 PCS.) | 1 | |
| * 29 | 330-036 | WHEEL GUARD ASS'Y | 1 | INCLUD. 28 |
| * 29 | 330-037 | WHEEL GUARD ASS'Y | 1 | INCLUD. 28 FOR PAN (120V), MEX |
| * 30 | 937-907Z | WHEEL WASHER (A) | 1 | |
| * 30 | 937-908Z | WHEEL WASHER (B) | 1 | FOR AUS, NZL |
| * 30 | 937-922P | WHEEL WASHER (B) FOR D5/8" HOLE | 1 | FOR PAN (120V), MEX |
| * 31 | 937-909Z | WHEEL NUT M14 X 2 | 1 | |
| * 31 | 937-917Z | WHEEL NUT (B) | 1 | FOR AUS, NZL |
| * 31 | 937-923P | WHEEL NUT 5/8"-11UNC | 1 | FOR PAN (120V), MEX |
| 32 | 306-890 | LOCK PIN | 1 | |
| 33 | 330-688 | GEAR AND PINION SET | 1 | |
| 34 | 945-161 | BRUSH CAP | 2 | |
| 35 | 999-038 | CARBON BRUSH (1 PAIR) | 2 | |
| 36 | 938-241 | BRUSH HOLDER | 2 | |
| 37 | 330-028 | HOUSING ASS'Y | 1 | INCLUD. 36, 39 |
| 38 | | NAME PLATE | 1 | |

