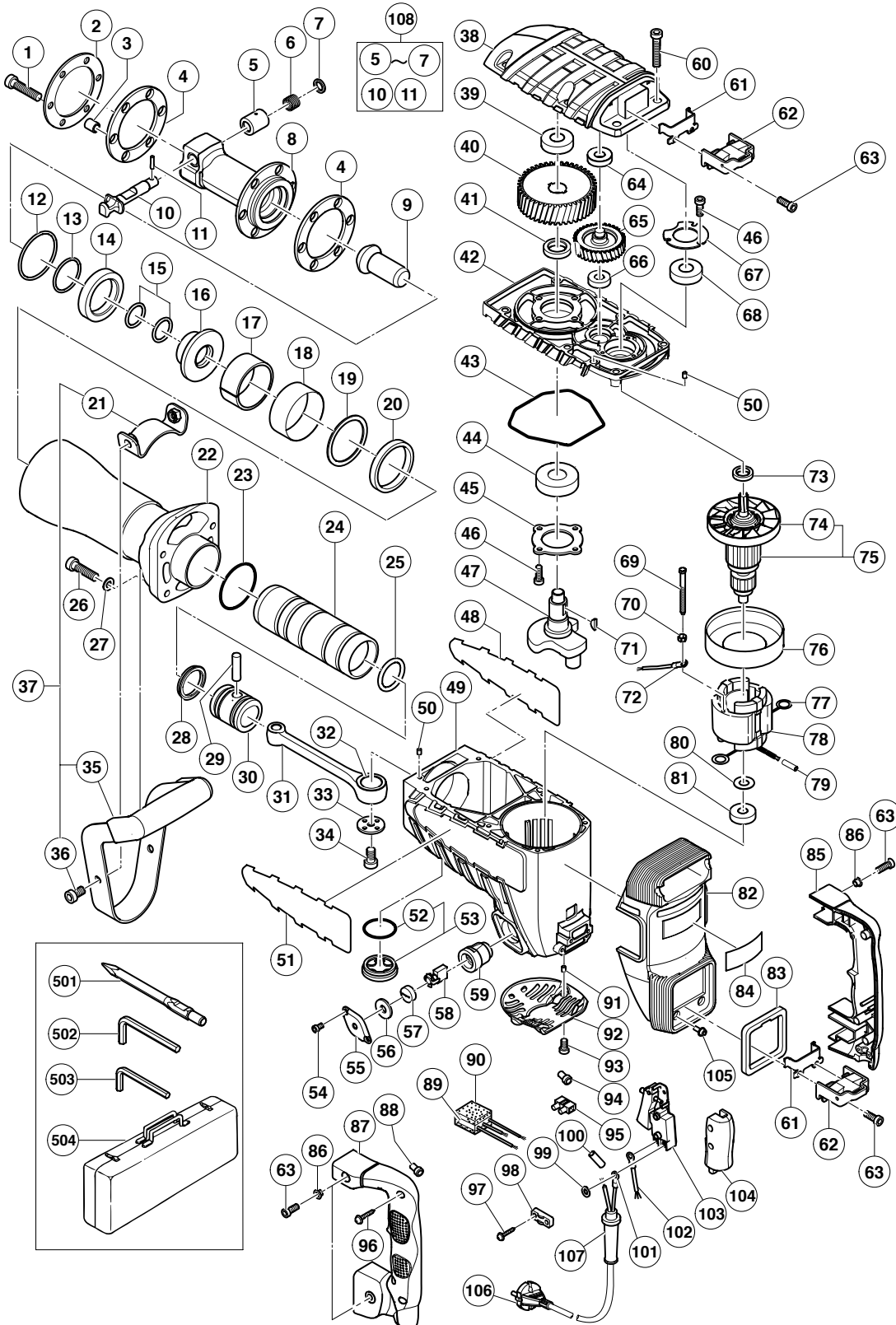


## ELECTRIC TOOL PARTS LIST

■ DEMOLITION HAMMER  
Model H 65SB2

2004 · 10 · 10

(E1)



**PARTS**

H 65SB2

ITEM NO.	CODE NO.	DESCRIPTION	NO. USED	REMARKS
1	323-734	NYLOCK HEX. SOCKET HD. BOLT M8X40	6	
2	323-736	DAMPER PLATE	1	
3	323-737	COLLAR	6	
4	323-735	FRONT DAMPER	2	
5	998-424	SPRING CASE	1	
6	956-975	LEVER SPRING	1	
7	998-425	DAMPER (B)	1	
8	323-733	FRONT COVER	1	
9	323-732	SECOND HAMMER	1	
10	323-748	STOP LEVER	1	
11	998-426	NEEDLE ROLLER	1	
12	998-428	O-RING (C)	1	
13	998-427	O-RING (B)	1	
14	998-433	DAMPER (A)	1	
15	323-731	O-RING (I.D 26.5)	2	
16	323-730	SHANK SLEEVE	1	
17	956-963	MOUTH	1	
18	956-962	MOUTH COVER	1	
19	323-729	MOUTH WASHER	1	
20	956-960	URETHANE RING	1	
21	320-374	HANDLE STAY (W/NUT)	1	
22	323-728	CYLINDER CASE	1	
23	956-996	O-RING (1AS-60)	1	
24	323-724	STRIKER	1	
25	998-414	O-RING (A)	1	
26	306-163	NYLOCK HEX. SOCKET HD. BOLT M8X35	4	
27	949-433	BOLT WASHER M8 (10 PCS.)	4	
28	998-415	OIL SEAL (A)	1	
29	944-928	PISTON PIN	1	
30	998-413	PISTON	1	
31	998-434	CONNECTING ROD ASS'Y	1	INCLUD. 32
32	944-921	NEEDLE BEARING (NTN 8E-NK 18/20 RDO)	1	
33	956-955	CRANK WASHER	1	
34	996-364	SEAL LOCK HEX. SOCKET HD. BOLT M8X16	1	
35	306-166	GRIP	1	
36	320-375	NYLOCK HEX. SOCKET HD. BOLT M8X16	2	
37	306-165	SIDE HANDLE ASS'Y	1	INCLUD. 21, 35, 36
38	323-723	GEAR COVER	1	
39	630-2VV	BALL BEARING 6302VVCMP2L	1	
40	944-916	FINAL GEAR	1	
41	944-915	DISTANCE RING (B)	1	
42	323-722	INNER COVER	1	
43	323-725	SEAL RING	1	
44	620-5DD	BALL BEARING 6205DDCMP2L	1	
45	956-949	BEARING COVER	1	
46	990-079	SEAL LOCK HEX. SOCKET HD. BOLT M5X16	7	
47	998-430	CRANK SHAFT	1	
48		HITACHI LABEL	1	
49	323-721	HOUSING ASS'Y	1	INCLUD. 59, 91
50	944-918	PIN D5X15.8	2	
51		HITACHI LABEL	1	

## PARTS

H 65SB2

ITEM NO.	CODE NO.	DESCRIPTION	NO. USED	REMARKS	
52	980-717	O-RING (S-38)	1		
53	990-945	OIL CAP ASS'Y	1	INCLUD. 52	
54	877-838	SEAL LOCK HEX. SOCKET HD. BOLT M4X8	4		
55	323-727	CAP COVER	2		
56	944-960	CAP RUBBER	2		
57	940-540	BRUSH CAP	2		
58	999-086	CARBON BRUSH (AUTO STOP TYPE) (1 PAIR)	2		
59	956-984	BRUSH HOLDER	2		
60	986-940	SEAL LOCK HEX. SOCKET HD. BOLT M6X45	6		
61	980-750	GUIDE PLATE	2		
62	980-727	HANDLE RUBBER	2		
63	990-079	SEAL LOCK HEX. SOCKET HD. BOLT M5X16	8		
64	620-1VV	BALL BEARING 6201VVCMP2L	1		
65	956-948	COUNTER GEAR	1		
66	600-1VV	BALL BEARING 6001VVCMP2L	1		
67	944-911	BEARING COVER (A)	1		
68	620-3DD	BALL BEARING 6203DDCMPS2L	1		
69	960-251	HEX. HD. TAPPING SCREW D5X65	2		
70	956-764	SPECIAL WASHER	2		
71	956-850	WOODRUFF KEY 4X16	2		
*	72	994-190	INTERNAL WIRE	1	FOR NZL, AUS, GBR, SAF, EUROPE, FIN, NOR, SWE, DEN, AUT, SUI
	73	944-907	DISTANCE RING (A)	1	
	74	996-370	FAN	1	
*	75	360-286C	ARMATURE ASS'Y 110V-115V	1	INCLUD. 74
*	75	360-286E	ARMATURE ASS'Y 220V-230V	1	INCLUD. 74
*	75	360-286F	ARMATURE ASS'Y 240V	1	INCLUD. 74
	76	306-098	FAN GUIDE	1	
	77	945-932	BRUSH TERMINAL	2	
*	78	340-259C	STATOR ASS'Y 110V-115V	1	INCLUD. 77
*	78	340-259E	STATOR ASS'Y 220V-230V	1	INCLUD. 77
*	78	340-259F	STATOR ASS'Y 240V	1	INCLUD. 77
*	78	340-259H	STATOR ASS'Y 240V	1	INCLUD. 77 FOR AUS
	79	322-530	VINYL TUBE	1	
	80	944-954	BEARING WASHER	1	
	81	620-1DD	BALL BEARING 6201DDCMPS2L	1	
	82	323-740	BACK COVER	1	
	83	323-741	HANDLE PACKING	1	
	84		NAME PLATE	1	
	85	323-743	HANDLE (A)	1	
	86	991-711	DISTANCE PIECE (B)	4	
	87	323-744	HANDLE (B)	1	
*	88	959-141	CONNECTOR 50092 (10 PCS.)	2	
*	88	959-141	CONNECTOR 50092 (10 PCS.)	1	FOR AUS, GBR, SAF, EUROPE, FIN, NOR, SWE, DEN, AUT, SUI
*	89	994-273	NOISE SUPPRESSOR	1	FOR NZL, AUS, SAF
*	89	317-491	NOISE SUPPRESSOR	1	FOR GBR, EUROPE, FIN, NOR, SWE, DEN, AUT, SUI
*	90	930-153	SUPPORT (B)	1	FOR NOISE SUPPRESSOR
	91	938-477	HEX. SOCKET SET SCREW M5X8	2	
	92	323-726	TAIL COVER	1	





