

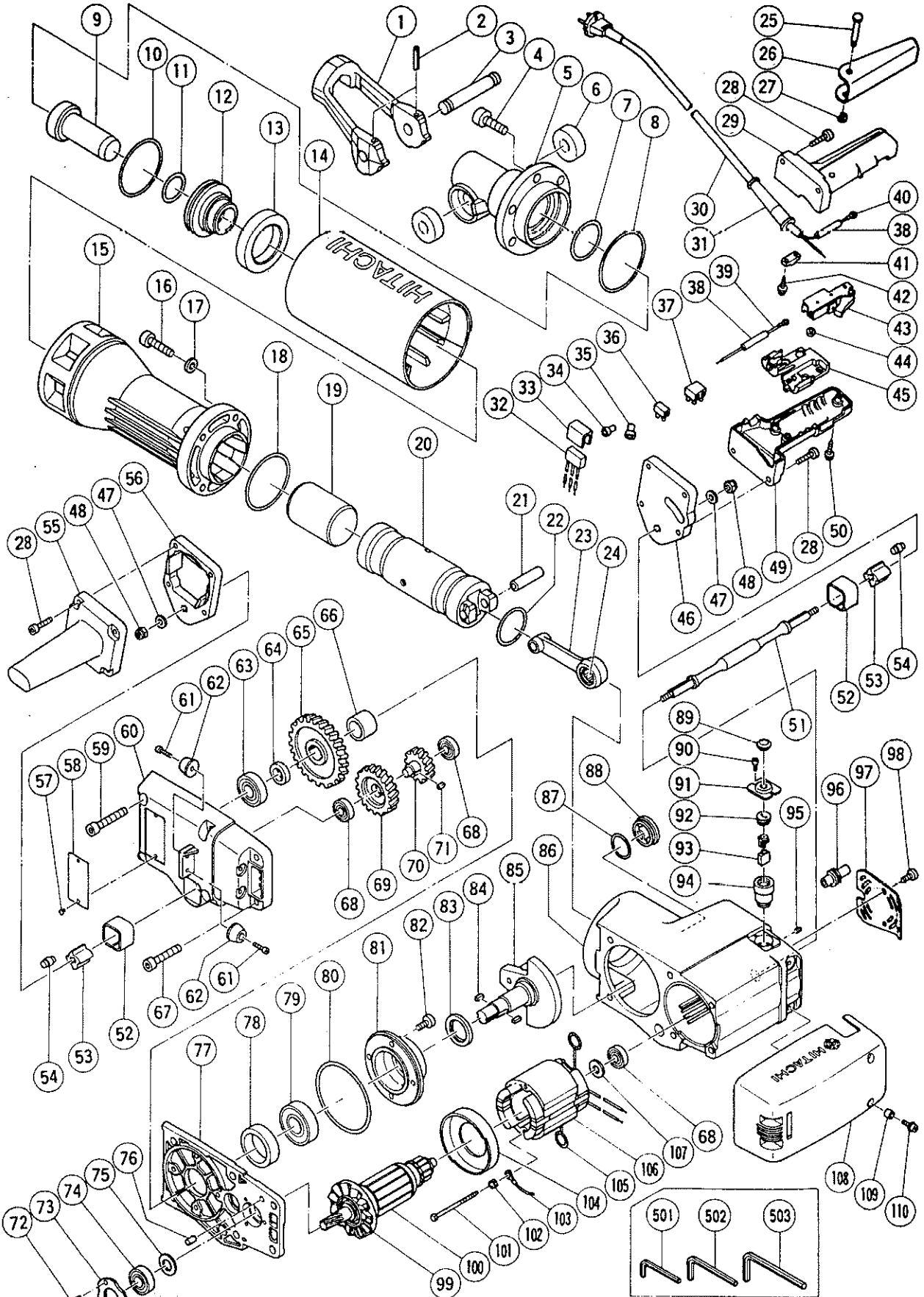
ELECTRIC TOOL PARTS LIST

■ HAMMER

Model H 90SC

1991 · 9 · 20

(E1)



PARTS

H 90SC

ITEM NO.	CODE NO.	DESCRIPTION	NO. USED	REMARKS
1	305-618	RETAINER	1	
2	949-874	ROLL PIN D6X36 (10 PCS.)	2	
3	305-620	LEVER PIN	1	
4	992-889	SEAL LOCK BOLT M12X40 306373	6	
5	305-619	FRONT COVER	1	
6	305-621	RETAINER DAMPER	2	
7	993-188	O - RING	1	
8	877-318	O - RING (S - 90)	1	
9	305-617	SECOND HAMMER	1	
10	992-865	O - RING (D)	1	
11	956-503	O - RING (A)	1	
12	305-616	HAMMER HOLDER	1	
13	992-859	DAMPER	1	
14	305-626	CYLINDER CASE COVER	1	FOR GBR,ITA,FRA
15	305-615	CYLINDER CASE	1	
16	993-198	SEAL LOCK BOLT M10X45	4	
17	949-445	WASHER M10 (10 PCS.)	4	
18	993-195	O - RING	1	
19	305-612	STRIKER	1	
20	305-611	PISTON	1	
21	305-614	PISTON PIN	1	
22	878-716	O - RING (P - 46)	1	
23	305-613	CONNECTING ROD ASS'Y	1	INCLUD.24
24	956-485	NEEDLE BEARING (NSK RLM2220)	1	
25	992-870	PIN	1	
26	992-869	SWITCH LEVER	1	
27	968-643	RETAINING RING (E - TYPE) FOR D4 SHAFT	1	
28	993-496	SEAL LOCK HEX. SOCKET HD. BOLT M8X30	8	
29	305-636	HANDLE (A)	1	
30	500-206Z	CORD	1	(CORD ARMOR D10.7)
30	500-390Z	CORD	1	(CORD ARMOR D10.7) FOR ITA,FRG,FRA, ESP,HOL,DEN,FIN,SWE,AUT,NOR
30	500-246Z	CORD	1	(CORD ARMOR D10.7) FOR GBR,SAF
30	500-235Z	CORD	1	(CORD ARMOR D8.2) FOR INA,GRE
30	500-391Z	CORD	1	(CORD ARMOR D10.7) FOR SUI
30	500-408Z	CORD	1	(CORD ARMOR D10.7) FOR AUS
30	500-394Z	CORD	1	(CORD ARMOR D10.7) FOR SYR
30	500-424Z	CORD	1	(CORD ARMOR D8.2) FOR KUW
30	500-227Z	CORD	1	(CORD ARMOR D8.2) FOR NZL
31	958-049Z	CORD ARMOR D8.2	1	
31	940-778	CORD ARMOR D10.7	1	
32	994-273	NOISE SUPPRESSOR	1	FOR NZL,GBR,SAF,ITA,FRG,FRA,ESP,HOL, DEN,FIN,SWE,AUT,NOR,SUI
33	930-153	SUPPORT (B)	1	FOR NZL,GBR,SAF,ITA,FRG,FRA,ESP,HOL, DEN,FIN,SWE,AUT,NOR,SUI
33	963-243	SUPPORT	1	FOR SUI
34	959-140	CONNECTOR 50091 (10 PCS.)	1	FOR NZL,GBR,SAF,ITA,FRG,FRA,ESP,HOL, DEN,SWE,AUT,NOR,SUI
35	959-141	CONNECTOR 50092 (10 PCS.)	2	
35	959-141	CONNECTOR 50092 (10 PCS.)	1	FOR GBR,ITA,FRG,FRA,ESP,HOL,DEN,SWE, AUT,NOR,SUI

*: ALTERNATIVE PARTS

09 - 91

PARTS

H 905C

ITEM NO.	CODE NO.	DESCRIPTION	NO. USED	REMARKS
* 36	938-307Z	PILLAR TERMINAL	1	FOR GBR,ITA,FRG,FRA,ESP,HOL,DEN,FIN, SWE,AUT,NOR,SUI
* 37	958-308Z	PILLAR TERMINAL (A)	1	FOR FIN
38	996-438	VINYL TUBE (A) I.D.7XTO.5X50	2	
* 39	981-974Z	INTERNAL WIRE	1	EXCEPT FOR AUS
* 40	992-810	TERMINAL	1	FOR ITA,FRG,FRA,ESP,HOL,DEN,FIN,SWE, AUT,NOR,SUI
* 40	930-804	TERMINAL M4.0 (10 PCS.)	1	FOR GBR,SAF
* 40	980-063	TERMINAL	1	FOR KUW,NZL
* 41	960-266	CORD CLIP	1	
* 41	981-987Z	CORD CLIP	1	FOR SUI
42	984-750	TAPPING SCREW (W/FLANGE) D4X18	2	
* 43	992-891	SWITCH (A) (1P SCREW TYPE) W/O LOCK	1	
* 43	981-533Z	SWITCH (2P PILLAR TYPE) W/O LOCK	1	FOR AUS
* 44	949-423	WASHER M4 (10 PCS.)	1	FOR GBR,SAF,ITA,FRG,FRA,ESP,HOL,DEN, FIN,SWE,AUT,NOR,SUI
* 45	990-082	SUPPORT (E)	1	
* 45	981-988Z	SUPPORT (A)	1	FOR AUS
46	305-834	HANDLE HOLDER (B)	1	
47	949-426	WASHER M8 (10 PCS.)	2	
48	305-632	LOCK NUT M8 (NYLON INSERT)	2	
49	305-631	HANDLE (B)	1	
50	301-653	TAPPING SCREW (W/FLANGE) D4X20	2	
51	305-824	HANDLE SHAFT	1	
52	305-598	HOLDER (B)	2	
53	305-823	HOLDER (A)	2	
54	305-822	HANDLE DAMPER	8	
55	305-633	SIDE HANDLE	1	
58	305-825	HANDLE HOLDER (A)	1	
57	949-510	RIVET D2.5X4.8 (10 PCS.)	2	
58		NAME PLATE	1	
59	992-851	SEAL LOCK HEX. SOCKET HD. BOLT M10X80	4	
60	305-637	GEAR COVER ASS'Y	1	INCLUD.52
61	949-699	HEX. SOCKET HD. BOLT M4X20 (10 PCS.)	2	
62	305-629	STOPPER	2	
63	620-4VV	BALL BEARING 6204VVCMP2S	1	
64	305-609	DISTANCE RING (A)	1	
65	305-608	FINAL GEAR	1	
66	305-607	DISTANCE RING (B)	1	
67	996-433	SEAL LOCK HEX. SOCKET HD. BOLT M10X55	2	
68	620-1VV	BALL BEARING 6201VVCMP2S	3	
69	305-605	FIRST GEAR	1	
70	305-604	SECOND GEAR	1	
71	930-511	FEATHER KEY 4X4X10	1	
72	991-690	SEAL LOCK HEX. SOCKET HD. BOLT M5X12	3	
73	305-600	BEARING COVER (A)	1	
74	620-3VV	BALL BEARING 6203VVCMP2S	1	
75	992-841	BEARING WASHER	1	
76	949-480	PIN D8X14 (10 PCS.)	1	
77	305-599	INNER COVER	1	
78	305-602	DISTANCE RING (C)	1	

