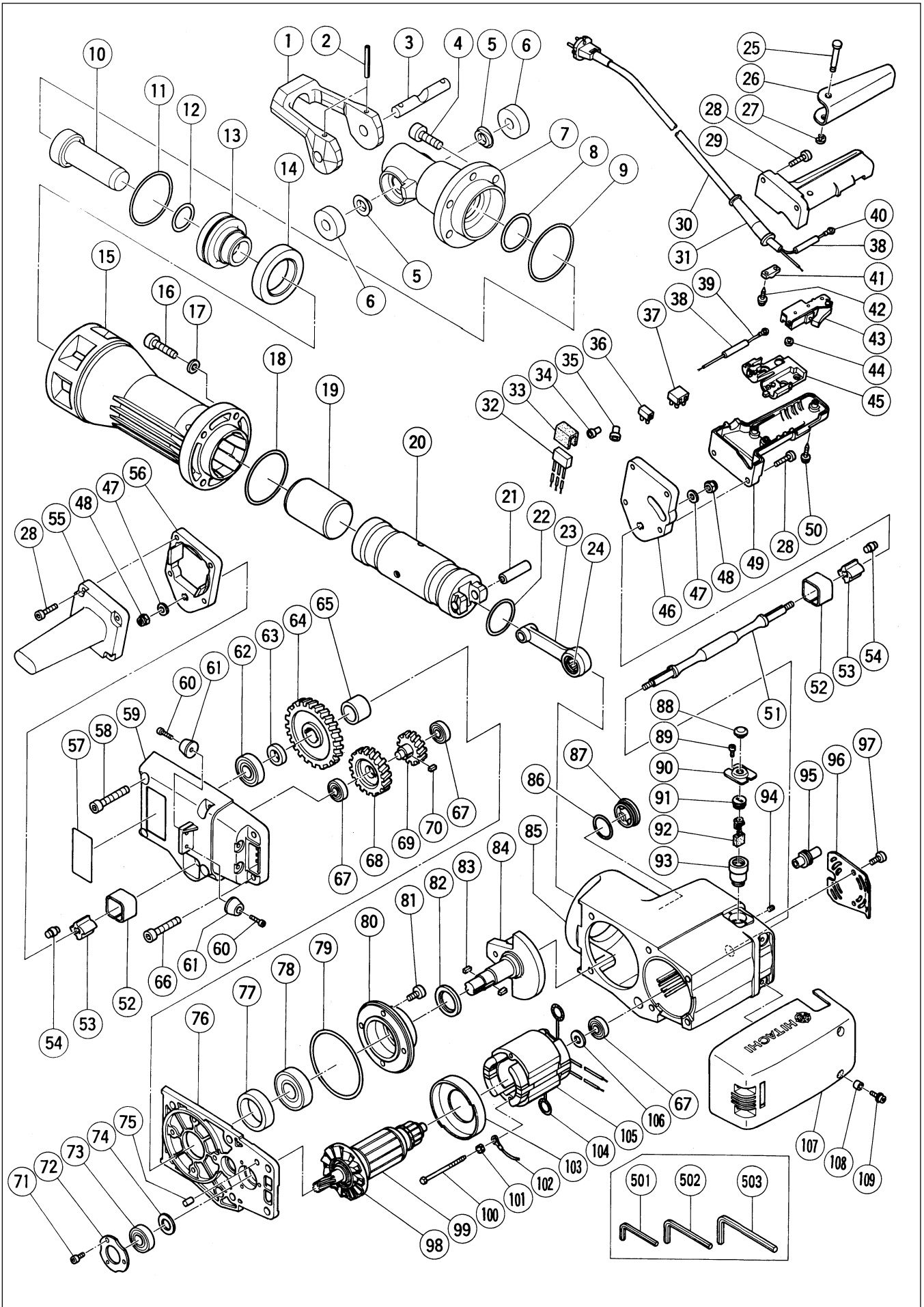


# Assembly Diagram for H 90SE



## PARTS

H 90SE

ITEM NO.	CODE NO.	DESCRIPTION	NO. USED	REMARKS
1	318-650	RETAINER	1	
2	994-416	ROLL PIN D6X55	2	
3	318-651	LEVER PIN	1	
4	306-373	NYLOCK HIGH TENSION BOLT M12X40	6	
5	318-655	DAMPER (B)	2	
6	305-621	RETAINER DAMPER	2	
7	318-652	FRONT COVER	1	
8	993-188	O-RING	1	
9	877-316	O-RING (S-90)	1	
10	318-653	SECOND HAMMER	1	
11	992-865	O-RING (D)	1	
12	956-503	O-RING (A)	1	
13	318-654	HAMMER HOLDER	1	
14	992-859	DAMPER	1	
15	305-615	CYLINDER CASE	1	
16	306-372	NYLOCK BOLT M10X45	4	
17	949-445	WASHER M10 (10 PCS.)	4	
18	993-195	O-RING	1	
19	305-612	STRIKER	1	
20	305-611	PISTON	1	
21	305-614	PISTON PIN	1	
22	878-716	O-RING (P-46)	1	
23	305-613	CONNECTING ROD ASS'Y	1	INCLUD.24
24	956-485	NEEDLE BEARING (NSK RLM2220)	1	
25	992-870	PIN	1	
26	992-869	SWITCH LEVER	1	
27	968-643	RETAINING RING (E-TYPE) FOR D4 SHAFT	1	
28	993-496	SEAL LOCK HEX. SOCKET HD. BOLT M6X30	8	
29	305-636	HANDLE (A)	1	
*	30	500-390Z	CORD	(CORD ARMOR D10.7)
*	30	500-246Z	CORD	(CORD ARMOR D10.7) FOR GBR(110V)
*	30	500-408Z	CORD	(CORD ARMOR D10.7) FOR AUS
*	30	500-450Z	CORD	(CORD ARMOR D10.7) FOR GBR(230V)
*	30	500-391Z	CORD	(CORD ARMOR D10.7) FOR SUI
*	30	500-453Z	CORD	(CORD ARMOR D10.7) FOR USA
*	31	940-778	CORD ARMOR D10.7	
*	31	958-049	CORD ARMOR D8.2	
*	32	994-273	NOISE SUPPRESSOR	EXCEPT AUS,USA
*	33	930-153	SUPPORT (B)	EXCEPT AUS,USA
*	33	963-243	SUPPORT	FOR SUI
*	34	959-140	CONNECTOR 50091 (10 PCS.)	EXCEPT AUS,FIN,USA
*	35	959-141	CONNECTOR 50092 (10 PCS.)	EXCEPT AUS,FIN,USA
*	36	938-307	PILLAR TERMINAL	EXCEPT AUS
*	37	958-308Z	PILLAR TERMINAL (A)	FOR FIN
*	38	996-438	VINYL TUBE (A) (I.D.7XT0.5X50)	
*	39	981-974	INTERNAL WIRE	EXCEPT AUS,USA
*	39	306-681	INTERNAL WIRE	FOR GBR
*	40	992-810	TERMINAL	FOR CORD
*	40	930-804	TERMINAL M4.0 (10 PCS.)	FOR CORD FOR GBR(110V),USA
*	40	981-373	TUBE (D)	FOR CORD FOR AUS
*	41	960-266	CORD CLIP	

\* : ALTERNATIVE PARTS

2 - 00

## PARTS

H 90SE

ITEM NO.	CODE NO.	DESCRIPTION	NO. USED	REMARKS		
*	41	981-987Z	CORD CLIP	1	FOR SUI	
	42	982-095	TAPPING SCREW (W/WASHER) D4X20	2		
*	43	992-891	SWITCH (A) (1P SCREW TYPE) W/O LOCK	1		
*	43	981-533Z	SWITCH (2P PILLAR TYPE) W/O LOCK	1	FOR AUS	
*	44	949-423	WASHER M4 (10 PCS.)	1	EXCEPT AUS,USA	
*	45	990-082	SUPPORT (E)	1		
*	45	981-986Z	SUPPORT (A)	1	FOR AUS	
	46	305-634	HANDLE HOLDER (B)	1		
	47	949-426	WASHER M8 (10 PCS.)	2		
	48	305-632	LOCK NUT M8 (NYLON INSERT)	2		
	49	305-631	HANDLE (B)	1		
	50	301-653	TAPPING SCREW (W/FLANGE) D4X20 (BLACK)	2		
	51	305-624	HANDLE SHAFT	1		
	52	305-598	HOLDER (B)	2		
	53	305-623	HOLDER (A)	2		
	54	305-622	HANDLE DAMPER	8		
	55	305-633	SIDE HANDLE	1		
	56	305-625	HANDLE HOLDER (A)	1		
	57		NAME PLATE	1		
	58	992-851	SEAL LOCK HEX. SOCKET HD. BOLT M10X60	4		
	59	305-637	GEAR COVER ASS'Y	1	INCLUD.52	
	60	949-699	HEX. SOCKET HD. BOLT M4X20 (10 PCS.)	2		
	61	305-629	STOPPER	2		
	62	620-4VV	BALL BEARING 6204VVCMP2L	1		
	63	305-609	DISTANCE RING (A)	1		
	64	305-608	FINAL GEAR	1		
	65	305-607	DISTANCE RING (B)	1		
	66	996-433	SEAL LOCK HEX. SOCKET HD. BOLT M10X55	2		
	67	620-1VV	BALL BEARING 6201VVCMP2L	3		
	68	305-605	FIRST GEAR	1		
	69	305-604	SECOND GEAR	1		
	70	930-511	FEATHER KEY 4X4X10	1		
	71	991-690	SEAL LOCK HEX. SOCKET HD. BOLT M5X12	3		
	72	305-600	BEARING COVER (A)	1		
	73	620-3DD	BALL BEARING 6203DDCMP2L	1		
	74	992-841	BEARING WASHER	1		
	75	949-480	PIN D8X14 (10 PCS.)	1		
	76	305-599	INNER COVER	1		
	77	305-602	DISTANCE RING (C)	1		
	78	630-5VV	BALL BEARING 6305VVCMP2S	1		
	79	992-847	O-RING (A)	1		
	80	305-601	BEARING BOSS	1		
	81	305-603	SEAL LOCK HEX. SOCKET HD. BOLT M8X18	4		
	82	992-846	OIL SEAL	1		
	83	931-008	FEATHER KEY 4X4X12	2		
	84	305-606	CRANK SHAFT	1		
	85	305-596	HOUSING ASS'Y	1	INCLUD.52,93,94	
	86	980-717	O-RING (S-38)	1		
	87	990-945	OIL CAP ASS'Y	1	INCLUD.86	
	88	992-894	CAP RUBBER	2		
	89	878-356	SEAL LOCK HEX. SOCKET HD. BOLT M4X10	4		

**PARTS**

H 90SE

ITEM NO.	CODE NO.	DESCRIPTION	NO. USED	REMARKS
90	305-635	CAP COVER	2	
91	937-949	BRUSH CAP	2	
92	999-086	CARBON BRUSH (AUTO STOP TYPE) (1 PAIR)	2	
93	305-597	BRUSH HOLDER	2	
94	938-477	HEX. SOCKET SET SCREW M5X8	2	
95	305-627	INTERNAL WIRE HOLDER	1	
96	305-630	TAIL COVER	1	
97	990-935	SEAL LOCK HEX. SOCKET HD. BOLT M6X16	2	
98	996-370	FAN	1	
* 99	360-262U	ARMATURE ASS'Y 110V-115V	1	INCLUD.67,73,74,98,106
* 99	360-262E	ARMATURE ASS'Y 220V-230V	1	INCLUD.98
* 99	360-262F	ARMATURE ASS'Y 240V	1	INCLUD.98
100	993-185	HEX. HD. TAPPING SCREW D5X85	2	
101	956-764	SPECIAL WASHER	2	
* 102	305-798	INTERNAL WIRE	1	EXCEPT AUS,USA
103	305-610	FAN GUIDE	1	
104	945-932	BRUSH TERMINAL	2	
* 105	340-238C	STATOR ASS'Y 110V-115V	1	INCLUD.104
* 105	340-238E	STATOR ASS'Y 220V-230V	1	INCLUD.104
* 105	340-238G	STATOR ASS'Y 240V	1	INCLUD.104
* 105	340-238H	STATOR ASS'Y 115V	1	INCLUD.104 FOR USA
106	944-954	BEARING WASHER	1	
107	305-628	HOUSING COVER	1	
108	996-437	COLLAR	4	
109	301-582	HEX. SOCKET HD. BOLT (W/FLANGE) M6X16	4	

**STANDARD ACCESSORIES**

ITEM NO.	CODE NO.	DESCRIPTION	NO. USED	REMARKS
501	943-277	HEX. BAR WRENCH 3MM	1	
502	944-459	HEX. BAR WRENCH 5MM	1	
503	993-740	HEX. BAR WRENCH 10MM	1	

**OPTIONAL ACCESSORIES**

ITEM NO.	CODE NO.	DESCRIPTION	NO. USED	REMARKS
601	996-372	BULL POINT 410MM (HEX. SHANK TYPE)	1	
602	985-230	BULL POINT 20-1/2" (HEX. SHANK TYPE)	1	
603	985-231	COLD CHISEL 520MM (HEX. SHANK TYPE)	1	
604	985-232	CUTTER W75X520MM (HEX. SHANK TYPE)	1	
605	305-880	RAMMER 200MM	1	
606	308-092	SHANK	1	
607	985-233	SCOOP 546L (HEX. SHANK TYPE)	1	
608	305-626	CYLINDER CASE COVER	1	
609	936-728	WRENCH	1	
610	980-927	GREASE FOR HAMMER.HAMMER DRILL (500G)	1	

\* : ALTERNATIVE PARTS

Printed in Japan 2 - 00  
(000225 N)