

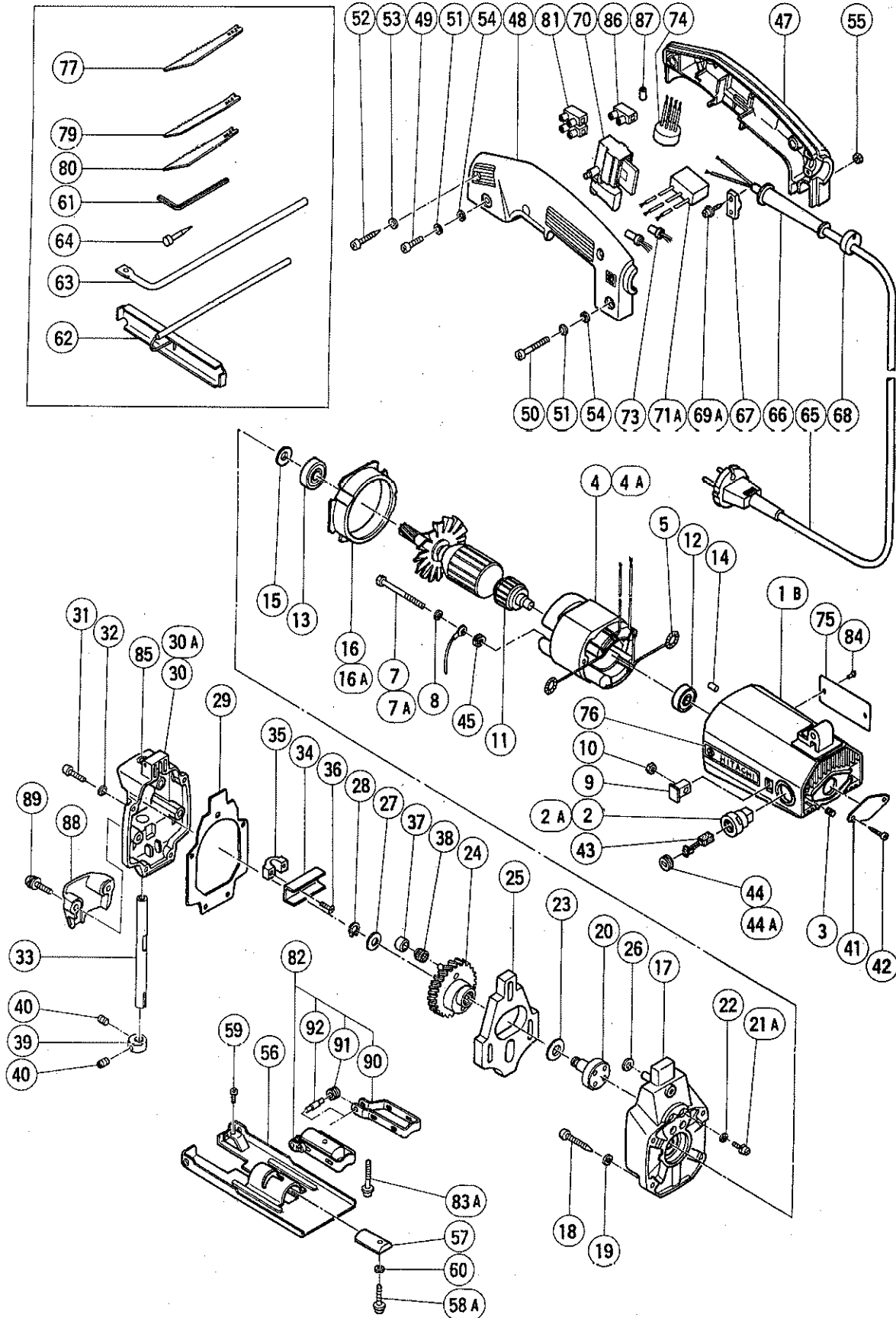
ELECTRIC TOOL PARTS LIST

■ JIG SAW

1987·11·30

Model JHV-60

JHV-60(E8)



PARTS

JHV-60(E6)

Item No.	Code No.	Part Name	Q'ty	Remarks
1B	958291	Housing Ass'y	1	includes 2A, 3, 7A, 16, 44A
2	957571	Brush Holder	2	till 8, 1985
2A	937846	Brush Holder	2	since 9, 1985
3	949368	Slotted Hd. Set Screw M4 x 10	2	(10 pcs.)
4	—	Stator Ass'y	1	See alternative parts
5	930630	Brush Terminal	2	
7	949230	Machine Screw M4 x 50	2	till 3, 1987 (10 pcs.)
7A	961672	Hexagon Hd. Tapping Screw D4 x 50	1	since 4, 1987
8	949453	Spring Lock Washer	2	for M4 till 3, 1987 (10 pcs.)
9	958243	Nut Cover	2	till 3, 1987
10	959554	Nut	2	till 3, 1987 (10 pcs.)
11	—	Armature	1	See alternative parts
12	939291	Ball Bearing (608VVC2)	1	
13	939497	Ball Bearing (6000VVCM)	1	
14	931701	Bearing Lock	1	till 2, 1987
15	958246	Felt Packing	1	
16	958247	Fan Guide	1	till 3, 1979
16A	958276	Fan Guide	1	since 4, 1979
17	958248	Gear Cover	1	
18	937807	Tapping Screw D5 x 25	4	
19	949454	Spring Lock Washer	4	for M5 (10 pcs.)
20	958249	Spindle	1	
21A	991207	Machine Screw M4 x 8	4	(Seal Lock Screw) w/Spring Lock Washer
22	949453	Spring Lock Washer	4	for M4 till 2, 1987 (10 pcs.)
23	957540	Washer (A)	1	
24	958250	Gear	1	
25	958251	Balance Weight	1	
26	957585	Washer	3	
27	940080	Washer (C)	1	
28	940079	C-Type Retaining Ring	1	for D8 shaft
29	958252	Packing	1	
30	—	Upper Cover Ass'y	1	See alternative parts
31	949219	Machine Screw M4 x 16	4	(10 pcs.)
32	949453	Spring Lock Washer	4	for M4 (10 pcs.)
33	958254	Plunger	1	
34	840085	Connector	1	
35	958255	Connector Holder	1	
36	958189	Flat Hd. Screw M4 x 12	2	
37	940916	Connecting Piece	1	
38	940917	Needle Roller (K6/8)	1	
39	958256	Set Ring	1	
40	958257	Hexagon Socket Hd. Set Screw M6 x 8	2	
41	958258	Tail Cover	1	
42	954017	Tapping Screw M4 x 12	2	
43	999021	Carbon Brush	2	(2 pcs.)
44	931266	Brush Cap	2	till 8, 1985
44A	937847	Brush Cap	2	since 9, 1985
45	—	Grounding Washer	1	See alternative parts
47	—	Handle (A)	1	See alternative parts
48	—	Handle (B)	1	See alternative parts
49	949239	Machine Screw M5 x 16	2	(10 pcs.)
50	949245	Machine Screw M5 x 30	1	(10 pcs.)
51	949454	Spring Lock Washer	3	for M5 (10 pcs.)

PARTS

JHV-60(E6)

Item No.	Code No.	Part Name	Q'ty	Remarks
52	956384	Tapping Screw D4 x 20	2	
53	949423	Washer	2	for M4 (10 pcs.)
54	949424	Washer	3	for M5 (10 pcs.)
55	949555	Nut M5	1	(10 pcs.)
56	963370	Base	1	
57	958262	Base Locker	1	
58A	963398	Hexagon Socket Hd. Bolt Screw M4 x 20	1	W/Flange
59	949235	Machine Screw M5 x 8	1	(10 pcs.)
60	949453	Spring Lock Washer	1	for M4 till 2, 1987 (10 pcs.)
61	943277	Hexagon Bar Wrench 3 mm	1	for M4 set screw
62	957563	Guide Ass'y	1	
63	963384	Circular Guide	1	
64	940092	Guide Center	1	
65	—	Cord	1	See alternative parts
66	—	Cord Armor	1	See alternative parts
67	937631	Cord Clip	1	
68	940928	Wrench Holder	1	
69A	984750	Tapping Screw D4 x 16	2	W/flange
70	—	Switch	1	See alternative parts
71	—	Noise Suppressor	1	See alternative parts
73	—	Connector	6	See alternative parts
74	—	Choke Coil	1	See alternative parts
75	—	Name Plate	1	See alternative parts
76	957561	HITACHI Label	1	
77	—	Blade No. 2	1	See OPTIONAL ACCESSORIES
79	—	Blade No. 4	1	
80	—	Blade No. 6	1	
81	—	Pillar Terminal (B)	1	See alternative parts
82	—	Guide Roller Ass'y	1	See alternative parts
83A	958359	Hexagon Socket Hd. Bolt M4 x 30	1	W/Flange
84	—	Rivet	2	See alternative parts
85	957605	Metal Bushing 9 x 12	1	
86	—	Pilar Terminal (B)	2	See alternative parts
87	—	Tube (D)	2	See alternative parts
88	—	Chip Cover	1	See alternative parts
89	—	Machine Screw M4 x 12	2	See alternative parts
90	—	Support	1	See alternative parts
91	—	Roller (C)	1	See alternative parts
92	—	Pin	1	See alternative parts

ALTERNATIVE PARTS

Item No.	Code No.	Part Name	Q'ty	Remarks
4	958300	Stator Ass'y 100V	1	for Korea includes 5
	958305C	Stator Ass'y 110V ~ 115V	1	includes 5
	958305D	Stator Ass'y 120V ~ 127V	1	includes 5
	948305E	Stator Ass'y 220V ~ 230V	1	includes 5
	958305H	Stator Ass'y 240V	1	includes 5
	958242G	Stator Ass'y 220V ~ 230V	1	for Sweden, Austria includes 5
	958242J	Stator Ass'y 220V ~ 230V	1	for F.R. Germany, Italy, Denmark includes 5

ALTERNATIVE PARTS

JHV-60(E6)

Item No.	Code No.	Part Name	Q'ty	Remarks	
4	958242L	Stator Ass'y	220V ~ 230V	1	for Norway includes 5
	958242M	Stator Ass'y	220V ~ 230V	1	for S. Africa includes 5
	958242F	Stator Ass'y	240V	1	for U.K. includes 5
	958242N	Stator Ass'y	110V	1	for U.K. includes 5
	958242P	Stator Ass'y	220V ~ 230V	1	for N.Z., Netherlands, France includes 5
4A	958242Q	Stator Ass'y	220V ~ 230V	1	for S. Africa includes 5
11	958244	Armature	100V	1	for Korea
	958245C	Armature	110V ~ 115V	1	
	958245D	Armature	120V ~ 127V	1	
	958245E	Armature	220V ~ 230V	1	
	958245F	Armature	240V		
	958277G	Armature	220V ~ 230V	1	for Italy, Denmark, Austria, Norway, S. Africa
	958277H	Armature	240V	1	for U.K.
	958277J	Armature	110V	1	for U.K.
30	958253	Upper Cover Ass'y		1	includes 85
30A	958288	Upper Cover Ass'y		1	for F.R. Germany, Italy includes 85
45	957592	Grounding Washer	D4	1	
47	958340	Handle (A)		1	
	958351Z	Handle (A)		1	for switch of w/adjustable screw
48	958341	Handle (B)		1	
	958352Z	Handle (B)		1	for switch of w/adjustable screw
65	500201Z	Cord		1	w/o terminal for Asia (Cord Armor D10.1)
	500226Z	Cord		1	w/o terminal for Oceania (Cord Armor D8.2)
	500223Z	Cord		1	w/o terminal for Singapore (Cord Armor D10.1)
	500231Z	Cord		1	w/o terminal, w/o plug for U.K., S. Africa (Cord Armor D8.2)
	500234Z	Cord		1	w/o terminal for Europe (Cord Armor D8.2)
	500240Z	Cord		1	w/o terminal for U.S.A. (Cord Armor D8.2)
66	953327	Cord Armor	D8.2	1	
	938051	Cord Armor	D10.1	1	
70	950991Z	Speed Control Switch		1	w/lock w/adjustable screw for Germany
	958346Z	Double Pole Switch	110V ~ 127V	1	w/lock for Asia
	958349Z	Double Pole Switch	220V ~ 240V	1	w/lock for Asia, Europe, Oceania, S. Africa
	958350Z	Double Pole Switch	110V ~ 127V	1	w/lock for U.K.
	958348Z	Double Pole Switch	110V ~ 127V	1	
71A	991312	Noise Suppressor		1	w/o terminal
73	959140	Connector (50091)		6	(10 pcs.)
74	955908	Choke Coil		1	
75	—	Name Plate		1	
81	983418Z	Pillar Terminal (B)		1	

ALTERNATIVE PARTS

JHV-60(E6)

Item No.	Code No.	Part Name	Q'ty	Remarks
82	958269Z	Guide Roller Ass'y	1	includes 90, 91, 92
	958278Z	Roller Ass'y	1	
84	932642	Rivet D2.5 x 2.8	2	
86	990592	Pillar Terminal (B)	2	
87	981373	Tube (D)	2	
88	958287	Chip Cover	1	for F.R. Germany, Italy
89	986348	Machine Screw M4 x 12	2	w/spring Lock Washer, Washer, for F.R. Germany, Italy
90	958289	Support	1	
91	958290	Roller (C)	1	
92	962629	Pin	1	

OPTIONAL ACCESSORIES

Item No.	Code No.	Part Name	Q'ty	Remarks
	962101Z	Blade No. 1	1	(10 pcs./pkg.)
	962102Z	Blade No. 2	1	(10 pcs./pkg.)
	962103Z	Blade No. 3	1	(10 pcs./pkg.)
	962104Z	Blade No. 4	1	(10 pcs./pkg.)
	962105Z	Blade No. 5	1	(10 pcs./pkg.)
	962106Z	Blade No. 6	1	(10 pcs./pkg.)
	939597	Grid Saw Blade (A)	1	
	939598	Grid Saw Blade (B)	1	
	939599	Blade for Finishing	1	(2 pcs./pkg.)
	958281	Blade No. 1	1	(5 pcs./pkg.)
	958282	Blade No. 2	1	(5 pcs./pkg.)
	958283	Blade No. 3	1	(5 pcs./pkg.)
	958284	Blade No. 4	1	(5 pcs./pkg.)
	958285	Blade No. 5	1	(5 pcs./pkg.)
	958286	Blade No. 6	1	(5 pcs./pkg.)