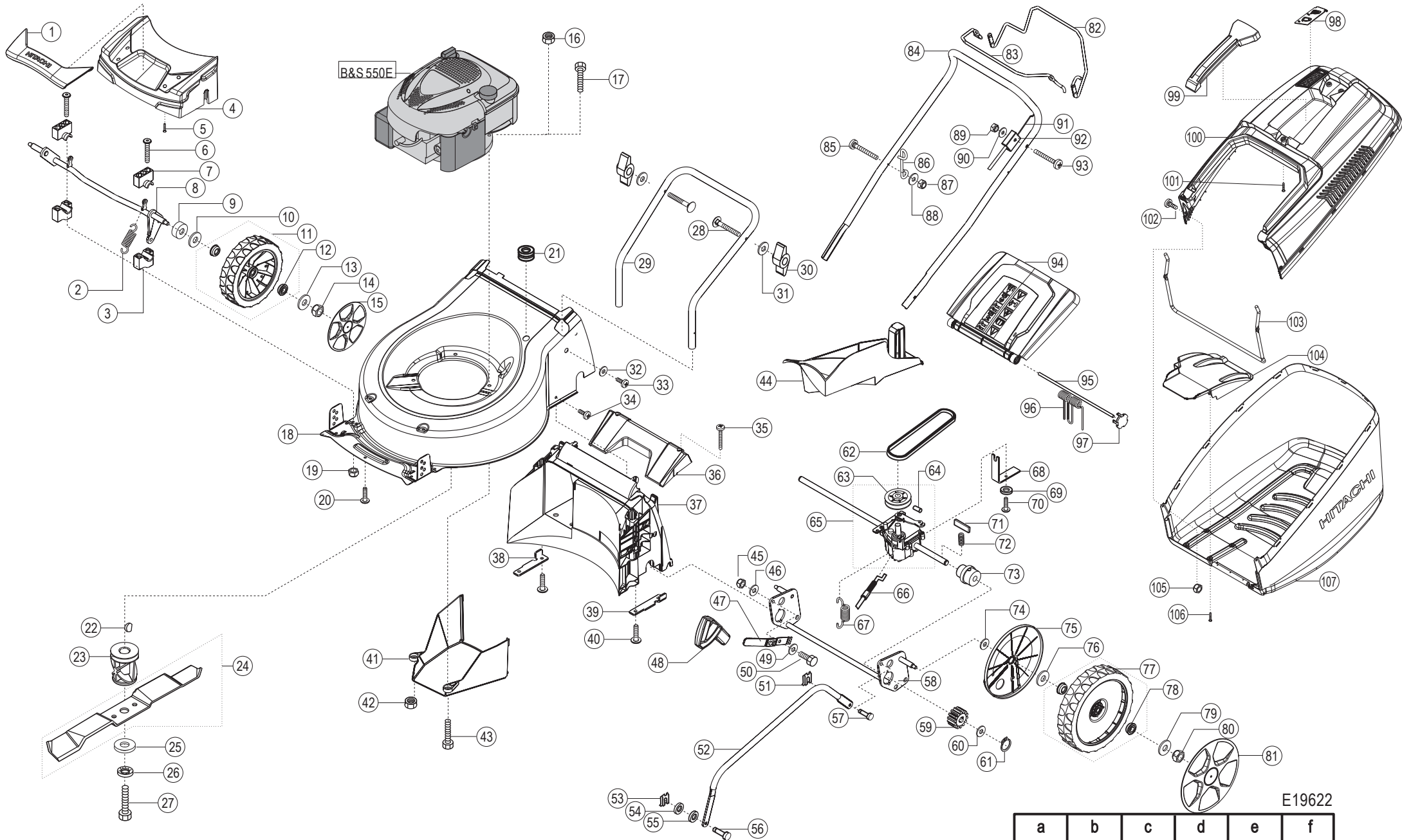


ML 140EA

Art. Nr. 119622

Hitachi Koki



E19622

ML140EA			
Illust No.	Qty.	Service Code No.	description ENGLISH
1	1	6600108	FRONT GRIP
2	2	6600149	TENSION SPRING
3	2	6600146	AXLE BEARING FRONT BOTTOM
4	1	6600109	FRONT PART
5	4	6600181	SCREW D4X16
6	4	6600276	SCREW 6X60
7	2	6600150	AXLE BEARING FRONT UPPER
8	1	6600166	FRONT AXLE
9	2	6600165	SLEEVE
10	2	6600223	WASHER 13 1X24X0,6
11	2	6600139	WHEEL
12	2	6600216	BALL BEARING KL4.12 MARKES
13	2	6600273	WASHER 8,4
14	2	6600272	NUT M8
15	2	6600141	WHEEL COVER
16	3	6600211	NUT M8
17	1	6600099	SCREW M8X 40
18	1	6600143	DECK
19	4	6600271	HEXAGON NUT 6
20	7	6600237	SCREW D4X10
21	1	6600219	MEMBRANE GROMMET
22	1	6600249	WASHER 4 X 6.5
23	1	6600178	BLADE HOLDER
24	1	6600100	MULCHING BLADE 46
26	1	6600248	WASHER 10,5
27	1	6600094	HEXAGON SCREW 3/8"X 60
28	2	6600258	SCREW 8X 45
29	1	6600203	LOWER HANDLE
30	2	6600238	WING NUT
31	2	6600273	WASHER 8,4
32	2	6600243	WASHER 5,3
33	2	6600264	SCREW 4,8X19
34	4	6600214	SCREW D6X14
35	1	6600093	WASHER D50X5
35	2	6600181	SCREW D4X16
36	1	6600107	FLAP COVER
37	1	6600144	REAR PART
38	1	6600148	CLOSURE ANGLE 46 RIGHT
39	1	6600156	CLOSURE ANGLE 46 LEFT
40	4	6600214	SCREW D6X14
41	1	6600145	COVER FOR BELT
42	2	6600211	NUT M8
43	3	6600096	SCREW M8X 30
44	1	6600175	MULCHING WEDGE
45	1	6600272	NUT M8
46	1	6600273	WASHER 8,4
47	1	6600170	ADJUSTING LEVER
48	1	6600106	GRIP FOR HEIGHT ADJUSTMENT
49	1	6600245	WASHER 8 X24
50	1	6600275	SCREW 8X 25
51	1	6600236	SAFEGUARD
52	1	6600206	CONNECTION ROD
53	1	6600236	SAFEGUARD
54	1	6600270	WASHER 8X14X1,0
55	1	6600261	WASHER 8
56	1	6600228	CONNECT PIN
57	1	6600171	CONNECT PIN
58	1	6600167	REAR AXLE
59	2	6600233	PINION
60	2	6600256	WASHER 12X18X1,0

ML140EA			
Illust No.	Qty.	Service Code No.	description ENGLISH
61	2	6600253	CIRCLIP 12X1
62	1	6600151	BELT
63	1	6600239	PULLEY
64	1	6600246	PIN 5 X 24
65	1	6600117	TRANSMISSION 46
66	1	6600116	THROTTLE CABLE 1180
67	1	6600159	TENSION SPRING
68	1	6600120	CABLE HOLDER 46
69	1	6600263	WASHER 6,4
70	1	6600215	SCREW 6X12
71	2	6600268	PIN 5X3X14
72	2	6600218	SPRING
73	2	6600231	BEARING BUSH
74	2	6600262	WASHER 13
75	2	6600164	COVER
76	2	6600250	SPRING WASHER 12
77	2	6600140	WHEEL
78	2	6600216	BALL BEARING KL4.12 MARKES
79	2	6600273	WASHER 8,4
80	2	6600272	NUT M8
81	2	6600142	WHEEL COVER
82	1	6600235	DRIVE LEVER
83	1	6600234	STOP LEVER
84	1	6600129	UPPER HANDLE
85	1	6600255	SCREW 6X 30
86	1	6600224	GUIDE OF STARTER CORD
87	1	6600252	NUT M6
88	1	6600244	WASHER 6,4
89	1	6600252	NUT M6
90	1	6600244	WASHER 6,4
91	1	6600226	START CABLE 1060
92	1	6600207	CABLE GUIDE
93	1	6600267	SCREW 6X 40
94	1	6600110	FLAP
95	1	6600176	ROD FOR FLAP
96	1	6600147	SPRING
97	2	6600155	STOPPER
98	1	6600102	LEVEL INDICATOR
99	1	6600103	GRIP
100	1	6600104	BOX TOP
101	3	6600181	SCREW D4X16
102	2	6600259	SCREW 5X 16
103	1	6600113	BOX BRACKET
104	1	6600114	INSET FOR BOX
105	2	6600257	NUT M5
106	4	6600220	SCREW D5X18
107	1	6600105	BOX LOWER PART