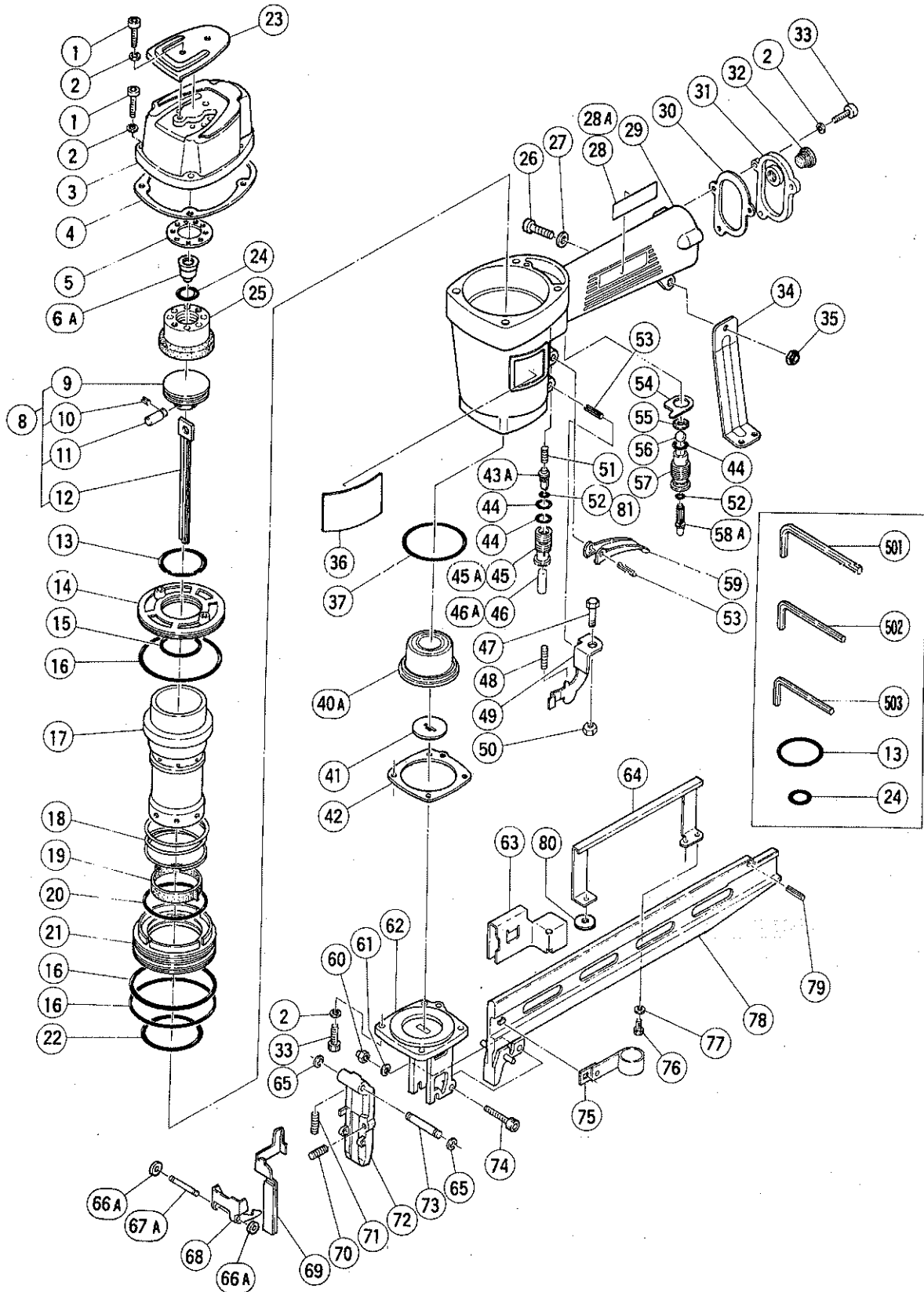


# PNEUMATIC TOOL PARTS LIST

**■ STAPLER**

1992 · 6 · 30

**Model N 5008A1 STANDARD CROWN**
**(E4)**


## PARTS

N 5008A1

ITEM NO.	CODE NO.	DESCRIPTION	NO. USED	REMARKS
1	949-757	HEX. SOCKET HD. BOLT M5X20 (10 PCS.)	6	
2	949-454	SPRING WASHER M5 (10 PCS.)	13	
3	877-128	EXHAUST COVER	1	
4	876-176	PACKING (B)	1	
5	876-178	PACKING (C)	1	
6A	878-539	EXHAUST VALVE	1	
8	878-022	PISTON ASS'Y	1	INCLUD.9 - 12
9	878-023	PISTON	1	
10	949-861	ROLL PIN D2X12 (10 PCS.)	1	
11	876-255	BIT PIN	1	
12	878-024	DRIVE BIT	1	
13	876-174	PISTON O - RING	2	
14	876-168	CYLINDER PLATE	1	
15	877-126	CYLINDER O - RING (D)	1	
16	876-161	O - RING (S - 65)	3	
17	878-021	CYLINDER	1	
18	876-172	CYLINDER SPRING	1	
19	876-167	CYLINDER RING	1	
20	877-123	CYLINDER O - RING (A)	1	
21	877-122	CYLINDER GUIDE	1	
22	877-124	CYLINDER O - RING (B)	1	
23	876-179	TOP COVER	1	
24	872-821	VALVE O - RING	2	TILL 4.1988
25	878-026	HEAD CAP	1	
26	949-658	HEX. SOCKET HD. BOLT M5X18 (10 PCS.)	1	
27	876-205	WASHER	1	
28	950-565	HITACHI LABEL	1	TILL 7.1986
28A	957-561	HITACHI LABEL	1	SINCE 8.1986
29	878-020	BODY (B)	1	
30	877-131	PACKING (D)	1	
31	876-714P	CAP	1	
32	872-035	DUST CAP	1	
33	949-821	HEX. SOCKET HD. BOLT M5X16 (10 PCS.)	7	
34	878-030	HANDLE ARM	1	
35	877-371	NYLON NUT M5	1	
36		NAME PLATE	1	
37	877-125	CYLINDER O - RING (C)	1	
40A	878-032	PISTON DAMPER (A)	1	
41	878-031	DAMPER SHEET	1	
42	876-673	PACKING (A)	1	
43A	877-881	PLUNGER (A)	1	SINCE 5.1986
44	875-638	O - RING (S - 12)	3	
45	876-764	VALVE BUSHING ASS'Y	1	TILL 4.1986
45A	877-880	VALVE BUSHING	1	SINCE 5.1986
46	875-642	SAFETY PLUNGER (B)	1	TILL 4.1986
46A	877-882	PLUNGER (B)	1	SINCE 5.1986
47	875-650	SAFETY BOLT	1	
48	877-871	SPRING (A)	1	
49	878-029	PUSHING LEVER (A)	1	
50	949-555	NUT M5 (10 PCS.)	1	
51	875-643	PLUNGER SPRING	1	

\*: ALTERNATIVE PARTS



