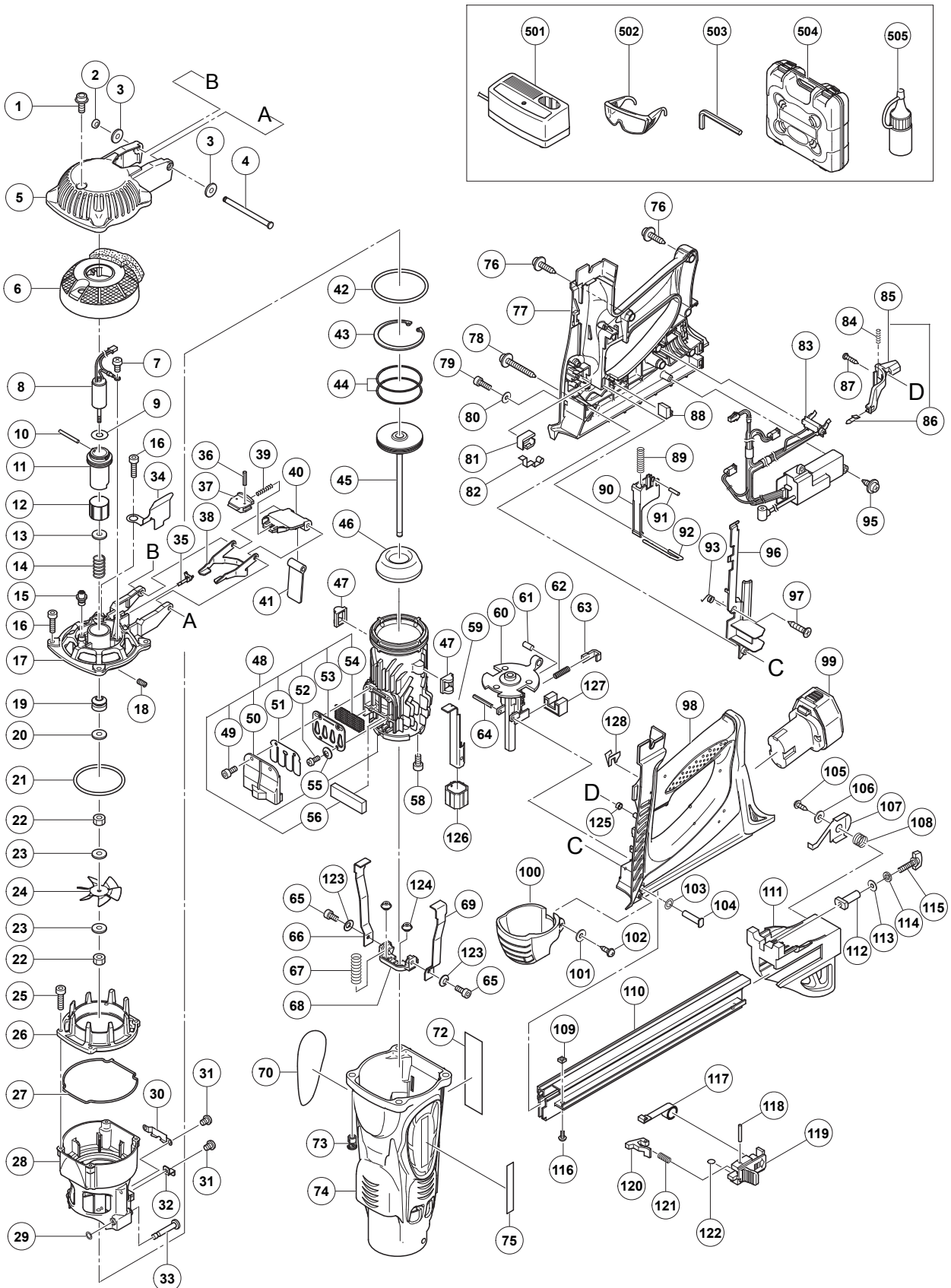


## PNEUMATIC TOOL PARTS LIST

### CONCRETE NAILER Model NC 40G

2008·2·6  
(E1)



## PARTS

NC 40G

ITEM NO.	CODE NO.	DESCRIPTION	NO. USED	REMARKS
1	996-399	HEX. SOCKET HD. BOLT (W/FLANGE) M5X12	1	
2	880-319	SHAFT RING	1	
3	949-424	WASHER M5 (10 PCS.)	2	
4	885-277	SHAFT	1	
5	886-142	TOP COVER	1	
6	886-129	FILTER	1	
7	949-214	MACHINE SCREW M4X6 (10 PCS.)	1	
8	885-309	MOTOR	1	
9	885-313	RUBBER WASHER	1	
10	885-318	ROLL PIN D2.5X25	1	
11	885-310	MOTOR MOUNT	1	
12	885-314	MOUNT SLEEVE	1	
13	885-320	SHAFT WASHER	1	
14	885-319	MOTOR SPRING	1	
15	885-333	SPARK PLUG (A)	1	
16	949-757	HEX. SOCKET HD. BOLT M5X20 (10 PCS.)	4	
17	885-308	CYLINDER HEAD ASS'Y	1	INCLUD. 19, 20
18	961-681	HEX. SOCKET SET SCREW M4X5	2	
19	886-470	SHAFT COVER	1	
20	886-471	WASHER	1	
21	885-316	O-RING (I.D 59. 92)	1	
22	949-554	NUT M4 (10 PCS.)	2	
23	949-423	WASHER M4 (10 PCS.)	2	
24	885-311	FAN	1	
25	949-754	HEX. SOCKET HD. BOLT M4X16 (10 PCS.)	1	
26	885-294	CHAMBER HEAD	1	
27	886-133	GASKET (B)	1	
28	885-296	CHAMBER	1	
29	878-607	PLUNGER O-RING	2	
30	885-297	CHAMBER LOCK PLATE	1	
31	949-214	MACHINE SCREW M4X6 (10 PCS.)	3	
32	885-306	SWITCH PLATE	1	
33	886-484	PIN (A)	2	
34	886-253	WIRING PLATE	1	
* 35	885-317	ADAPTER	1	
* 36	949-859	ROLL PIN D2X8 (10 PCS.)	2	
* 37	885-280	LATCH	1	
* 38	886-141	CELL LEVER (A)	1	
39	885-281	SPRING D3.6	1	
40	885-352	CELL COVER	1	
41	886-131	CELL RUBBER (A)	1	
42	885-283	O-RING (I.D. 66. 27)	1	
43	885-285	RETAINING RING	1	
44	886-132	PISTON RING (A)	2	
45	885-700	PISTON (H)	1	
46	885-289	PISTON BUMPER	1	
47	885-284	CHAMBER STOP RUBBER	2	
48	886-465	CYLINDER ASS'Y	1	INCLUD. 49-56
49	886-241	SEAL LOCK HEX. SOCKET HD. BOLT M4X10	2	
50	886-467	BUFFER COVER (A)	1	

**PARTS**

NC 40G

ITEM NO.	CODE NO.	DESCRIPTION	NO. USED	REMARKS	
51	885-290	LEAD VALVE	1		
52	303-631	SEAL LOCK SCREW M4X6 (BLACK)	2		
53	886-468	BUFFER PLATE (A)	1		
54	885-292	MESH	1		
55	886-242	BELLEVILLE SPRING M4	2		
56	885-288	MUFFLER	1		
58	991-690	SEAL LOCK HEX. SOCKET HD. BOLT M5X12	3		
59	885-691	PUSHING LEVER	1		
60	885-704	NOSE	1		
61	949-749	ROLL PIN D3X8 (10 PCS.)	1		
62	885-706	SPRING (A)	1		
63	885-705	PUSHING LEVER STOPPER	1		
64	949-539	ROLL PIN D3X25 (10 PCS.)	1		
65	321-527	SEAL LOCK HEX. SOCKET HD. BOLT M5X8	2		
66	885-703	PUSHING LEVER ARM (L)	1		
67	886-245	PUSHING LEVER SPRING (A)	2		
68	885-699	PUSHING LEVER CONNECTOR (A)	1		
69	885-710	PUSHING LEVER ARM (R)	1		
70		NAME PLATE	1		
72	885-307	INSULATOR SHEET	1		
73	885-304	SCREW M5	4		
74	886-469	HOUSING	1		
75	328-922	HITACHI PLATE	1		
76	302-086	TAPPING SCREW (W/FLANGE) D4X20 (BLACK)	6		
77	885-709	HANDLE (B)	1		
78	301-815	TAPPING SCREW (W/FLANGE) D4X45	1		
79	990-079	SEAL LOCK HEX. SOCKET HD. BOLT M5X16	1		
80	876-205	WASHER	1		
81	886-473	SWITCH MOUNT (B)	1		
82	885-347	SWITCH ARM	1		
*	83	886-461	WIRING (B)	1	
*	83	886-462	WIRING (B)	1	FOR USA, CAN
84	885-518	SPRING	1		
85	886-147	SWITCH LEVER (B) ASS'Y	1	INCLUD. 86	
86	886-257	TENSION PLATE (C)	1		
87	885-714	TAPPING SCREW D3	1		
88	886-474	PRISM	1		
89	885-828	TRIGGER SPRING (A)	1		
90	885-335	TRIGGER	1		
91	949-551	ROLL PIN D2.5X10 (10 PCS.)	1		
92	885-340	CHAMBER LOCK BAR	1		
93	885-337	LOCK BAR SPRING	1		
95	309-933	TAPPING SCREW (W/FLANGE) D4X14 (BLACK)	2		
96	885-339	WIRING COVER	1		
97	885-346	FLAT HD. TAPPING SCREW D4	1		
98	886-472	HANDLE (A)	1		
*	99	324-148	BATTERY EB 714S (EUROPE, AUS, NZL)	1	
*	99	325-292	BATTERY EB 714S (USA, CAN/CLAMSHELL)	1	
100	885-695	DUST COVER	1		
101	875-246	WASHER	2		

**PARTS**

NC 40G

ITEM NO.	CODE NO.	DESCRIPTION	NO. USED	REMARKS
102	325-083	TAPPING SCREW (W/FLANGE) D4X12 (BLACK)	2	
103	885-712	WASHER (B)	1	
104	885-711	SHAFT (B)	1	
105	311-945	TAPPING SCREW (W/FLANGE) D4X10 (BLACK)	1	
106	875-246	WASHER	1	
107	885-696	NAIL STOPPER	1	
108	885-697	SPRING (C)	1	
109	319-166	SQUARE NUT M6	1	
110	886-475	MAGAZINE	1	
111	886-479	MAGAZINE COVER	1	
112	885-713	SHAFT (C)	1	
113	876-205	WASHER	1	
114	949-454	SPRING WASHER M5 (10 PCS.)	1	
115	885-694	KNOB	1	
116	884-215	HEX. SOCKET HD. BOLT (W/BUTTON) M6X7	1	
117	881-755	RIBBON SPRING	1	
118	949-890	PIN D3X20 (10 PCS.)	1	
119	886-476	NAIL FEEDER (B)	1	
120	886-477	NAIL FEEDER (A)	1	
121	886-478	SPRING (B)	1	
122	873-093	O-RING (1AP-3)	1	
123	886-243	BELLEVILLE SPRING M5	2	
124	885-707	SPRING GUIDE	2	
125	886-463	SLEEVE	1	
126	885-692	NOSE CAP	1	
127	885-693	NOSE RUBBER	1	
128	886-138	LEVER STOPPER	1	

**STANDARD ACCESSORIES**

ITEM NO.	CODE NO.	DESCRIPTION	NO. USED	REMARKS
501		CHARGER (MODEL UC 7SD)	1	
502	875-769	SAFETY GLASSES	1	
503	944-458	HEX. BAR WRENCH 4MM	1	
504	886-485	CASE	1	
* 505	886-036	LUBRICANT OILER (B)	1	FOR EUROPE

**OPTIONAL ACCESSORIES**

ITEM NO.	CODE NO.	DESCRIPTION	NO. USED	REMARKS
* 601	885-246	LUBRICANT OILER (A)	1	
* 601	885-546	LUBRICANT OILER (A)	1	FOR USA, CAN