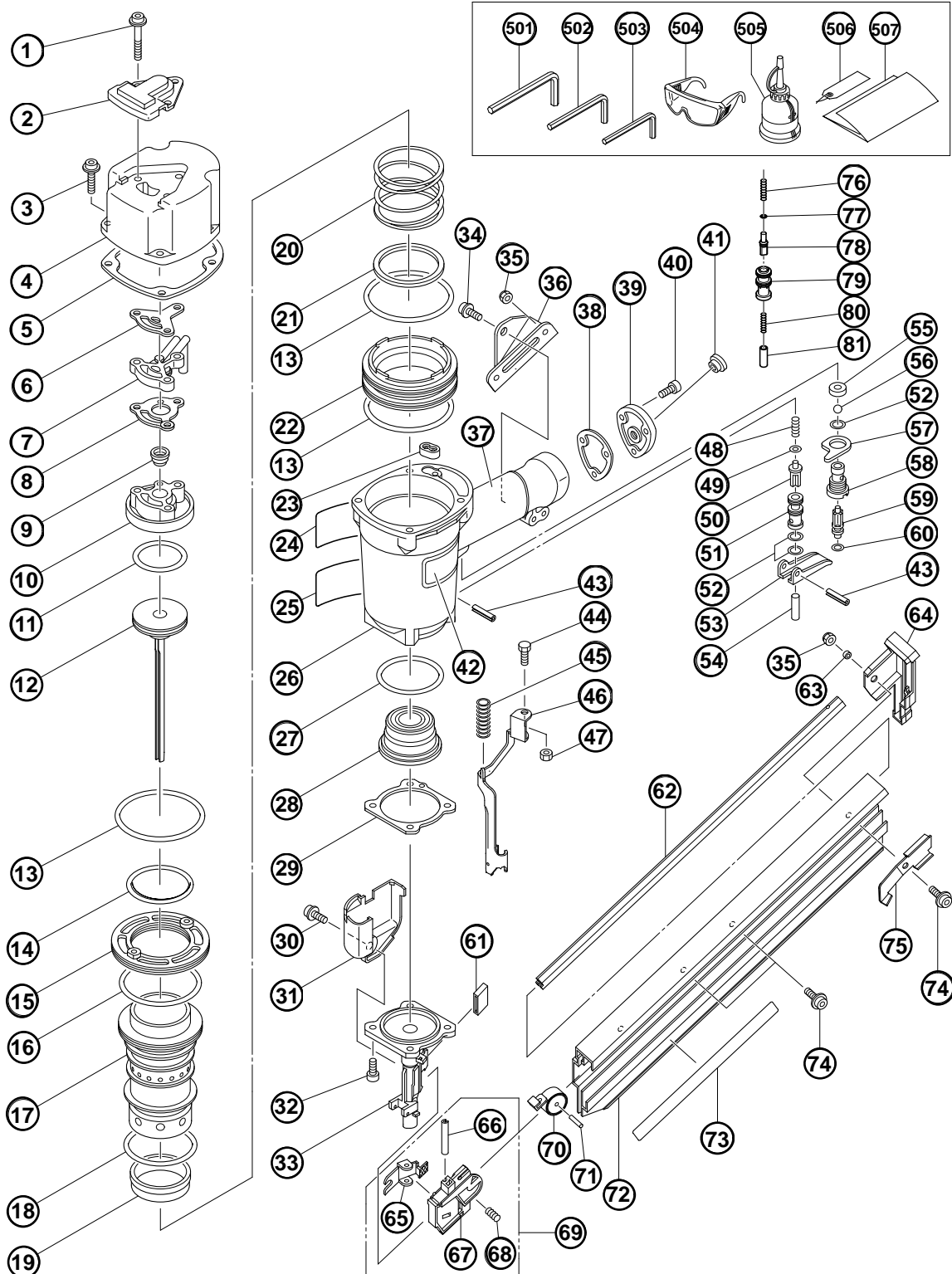


PNEUMATIC TOOL PARTS LIST



STRIP NAILER
Model NR 83AA2

2001•3•15
(E1)



PARTS

NR 83AA2

ITEM NO.	CODE NO.	DESCRIPTION	NO. USED	REMARKS
1	883-509	HEX. SOCKET HD. BOLT (W/FLANGE) M6X45	3	
2	877-330	TOP COVER	1	
3	883-507	HEX. SOCKET HD. BOLT (W/SP.WASHER) M6X25	4	
4	877-324	EXHAUST COVER	1	
5	877-325	GASKET (B)	1	
6	877-329	GASKET (F)	1	
7	877-328	EXHAUST PIECE	1	
8	877-854	GASKET (C)	1	
9	878-417	EXHAUST VALVE	1	
10	877-307	HEAD CAP AND GASKET SET	1	
11	877-368	O-RING (1AP-48)	1	
12	883-510	PISTON	1	
13	877-316	O-RING (S-90)	3	
14	877-312	CYLINDER O-RING (I.D 63.1)	1	
15	877-318	CYLINDER PLATE	1	
16	877-313	CYLINDER O-RING (I.D 79.3)	1	
17	877-810	CYLINDER	1	
18	877-314	CYLINDER O-RING (I.D 69.3)	1	
19	877-317	CYLINDER RING	1	
20	877-321	CYLINDER SPRING	1	
21	877-322	BASE WASHER	1	
22	877-310	CYLINDER GUIDE	1	
23	877-327	GASKET (G)	1	
24	878-184	WARNING LABEL	1	
* 25	878-183	WARNING LABEL	1	FOR FRA
26	883-506	BODY ASS'Y	1	INCLUD.37
27	877-315	CYLINDER O-RING (I.D 63.9)	1	
28	883-511	PISTON BUMPER (B)	1	
29	877-334	GASKET (A)	1	
30	882-974	NYLOCK BOLT (W/FLANGE) M6X12	1	
31	883-493	GUARD	1	
32	883-492	NYLOCK HEX. SOCKET HD. BOLT M8X22	4	
33	883-490	NOSE	1	
34	883-505	NYLOCK BOLT (W/FLANGE) M8X16	1	
35	963-837	NYLON NUT M6	3	
36	883-504	HANDLE ARM	1	
37		GRIP RUBBER	1	(SUPPLIED WITH ITEM NO.602,603)
38	877-331	GASKET (D)	1	
39	878-311	CAP	1	
40	949-658	HEX. SOCKET HD. BOLT M5X18 (10 PCS.)	3	
41	872-035	DUST CAP	1	
42		NAME PLATE	1	
43	949-866	ROLL PIN D3X30 (10 PCS.)	2	
44	875-650	SAFETY BOLT	1	
* 45	877-365	SPRING	1	
* 45	878-423	SPRING	1	FOR FRA
46	883-494	PUSHING LEVER	1	
47	949-555	NUT M5 (10 PCS.)	1	
* 48	875-643	PLUNGER SPRING	1	FOR TPE,FRA,USA,CAN
49	874-436	O-RING (P-4)	1	
* 50	877-338	PLUNGER (A)	1	FOR TPE,FRA,USA,CAN

