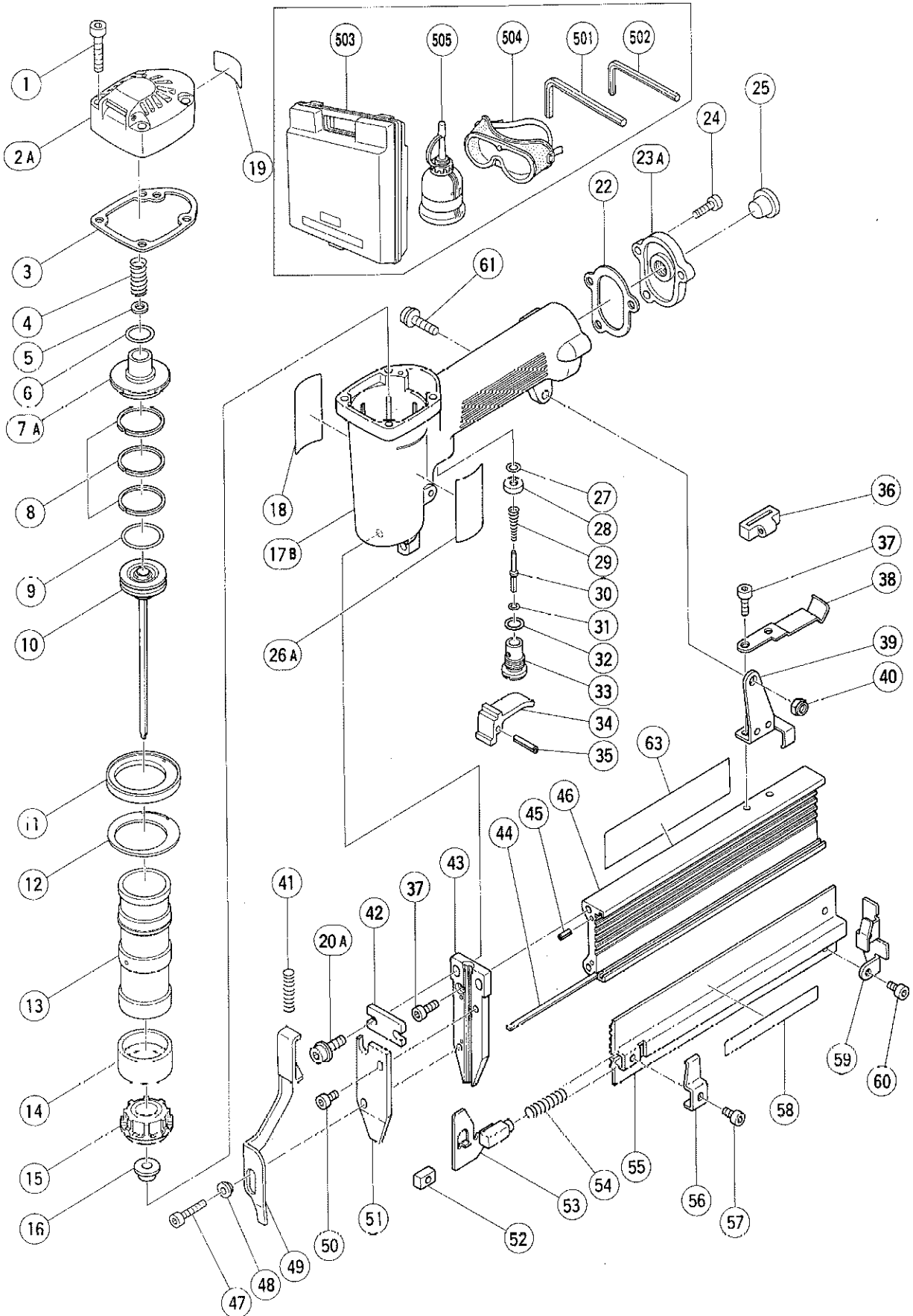


## PNEUMATIC TOOL PARTS LIST

■ BRAD NAILER  
Model NT 45A

1997 · 1 · 30  
(E4)



## PARTS

NT 45A

ITEM NO.	CODE NO.	DESCRIPTION	NO. USED	REMARKS
1	878-115	HEX. SOCKET HD. BOLT M5X28	4	
2A	880-037	EXHAUST COVER	1	
3	878-601	GASKET	1	
4	878-599	HEAD VALVE SPRING	1	
5	949-424	WASHER M5 (10 PCS.)	1	
6	878-600	HEAD VALVE O - RING	1	
7A	880-410	HEAD VALVE (A)	1	
8	878-596	PISTON RING	3	
9	878-609	O - RING (S - 24)	1	
10	880-021	PISTON	1	
11	878-593	CYLINDER PACKING	1	
12	878-594	CYLINDER WASHER	1	
13	878-662	CYLINDER	1	
14	878-592	CYLINDER RING	1	
15	880-020	PISTON BUMPER	1	
16	880-024	BUMPER PIECE	1	
17B	880-220	BODY	1	
18		NAME PLATE	1	
19	878-499	CAUTION PLATE	1	
20A	880-226	HEX. SOCKET HD. BOLT (W/FLANGE) M5X18	2	
22	877-131	GASKET (D)	1	
23A	880-036	CAP	1	
24	949-821	HEX. SOCKET HD. BOLT M5X16 (10 PCS.)	3	
25	872-035	DUST CAP	1	
26A		HITACHI LABEL	1	
27	873-093	O - RING (1AP - 3)	1	
28	877-703	VALVE BUSHING (B)	1	
29	877-704	PLUNGER SPRING	1	
30	880-567	PLUNGER	1	
31	878-607	PLUNGER O - RING	1	
32	875-638	O - RING (S - 12)	1	
33	878-605	VALVE BUSHING (A)	1	
34	878-604	TRIGGER	1	
35	949-539	ROLL PIN D3X25 (10 PCS.)	1	
36	880-017	WRENCH HOLDER	1	
37	949-813	HEX. SOCKET HD. BOLT M4X12 (10 PCS.)	3	
38	880-015	MAGAZINE STOPPER	1	
39	880-016	STAY	1	
40	877-371	NYLON NUT M5	1	
41	956-177	SPRING (S)	1	
42	880-006	GUIDE PLATE (B)	1	
43	880-004	BIT GUIDE	1	
44	880-008	NAIL PLATE	1	
45	949-859	ROLL PIN D2X8 (10 PCS.)	2	
46	880-007	MAGAZINE (A)	1	
47	880-032	HEX. SOCKET HD. BOLT M4X22	1	
48	880-002	COLLAR	1	
49	880-001	PUSHING LEVER	1	
50	949-811	HEX. SOCKET HD. BOLT M4X8 (10 PCS.)	1	
51	880-005	GUIDE PLATE (A)	1	
52	880-029	PLATE NUT M4	1	

\*: ALTERNATIVE PARTS

**PARTS**

ITEM NO.	CODE NO.	DESCRIPTION	NO. USED	REMARKS
53	880-010	NAIL FEEDER	1	
54	880-011	FEED SPRING	1	
55	880-009	MAGAZINE (B)	1	
56	880-014	PLATE (B)	1	
57	877-838	SEAL LOCK HEX. SOCKET HD. BOLT M4X8	1	
58	880-034	CAUTION PLATE	1	
59	880-013	PLATE (A)	1	
60	880-030	SEAL LOCK HEX. SOCKET HD. BOLT M4X6	2	
61	880-219	HEX. SOCKET HD. BOLT (W/FLANGE) M5X16	1	
* 63		CAUTION PLATE (A)	1	FOR EUROPE

**STANDARD ACCESSORIES**

ITEM NO.	CODE NO.	DESCRIPTION	NO. USED	REMARKS
501	944-458	HEX. BAR WRENCH 4MM	1	
502	943-277	HEX. BAR WRENCH 3MM	1	
503	880-025	CASE	1	
504	875-769	EYE PROTECTOR	1	
* 505	877-153	PNEUMATIC TOOL LUBRICANT (30CC)	1	FOR EUROPE

\*: ALTERNATIVE PARTS