

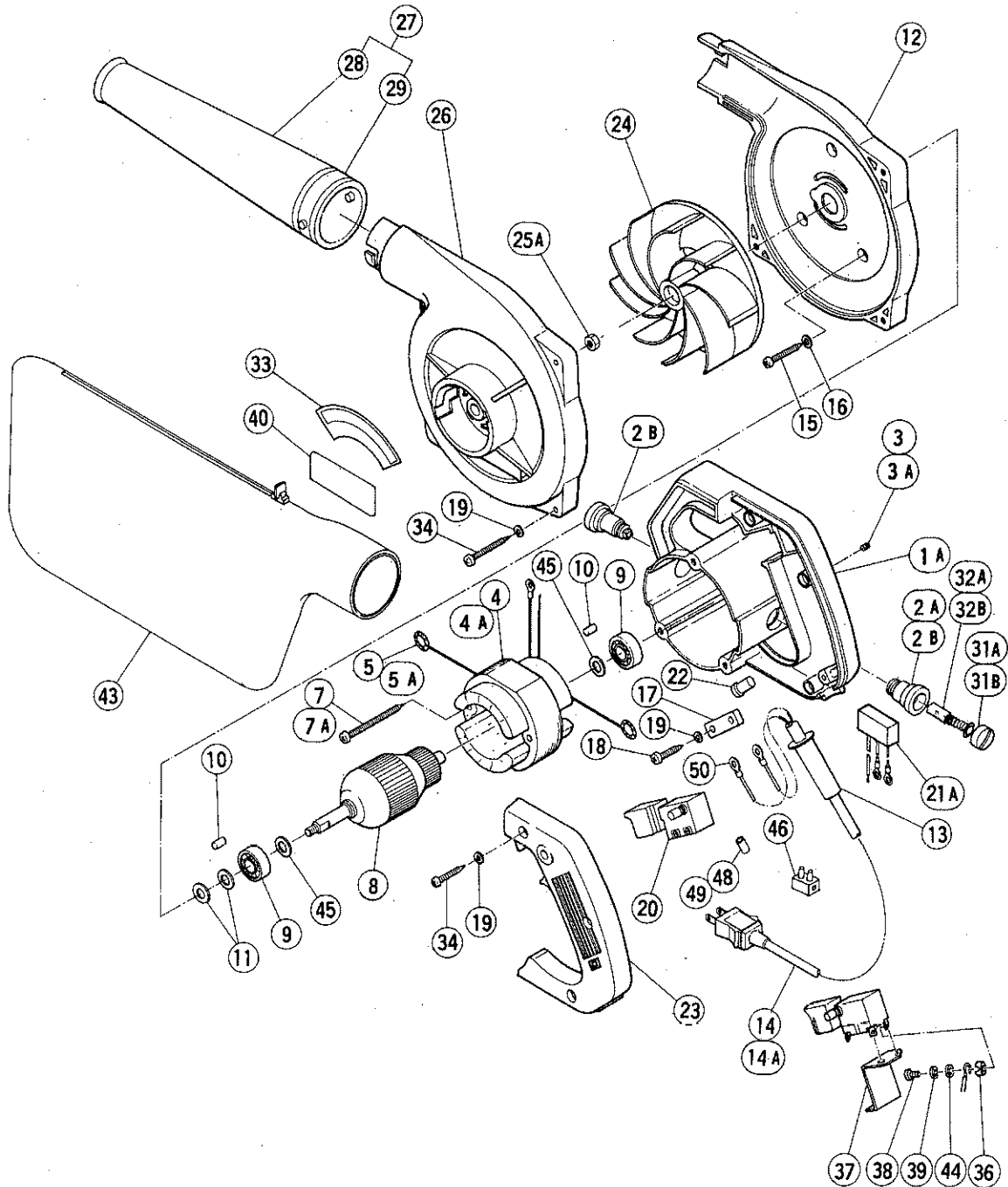
ELECTRIC TOOL PARTS LIST

■ PORTABLE ELECTRIC BLOWER

1994 · 4 · 4

Model PB-20

(E8)



PARTS

PB-20

ITEM NO.	CODE NO.	DESCRIPTION	NO. USED	REMARKS
1A	971-321	HOUSING ASS'Y	1	INCLUD.2B,3A
2B	990-721	BRUSH HOLDER	2	SINCE 5.1984
3	961-681	HEX. SOCKET SET SCREW M4X5	2	TILL 10.1985
3A	938-477	HEX. SOCKET SET SCREW M5X8	2	SINCE 11.1985
* 4	971-302C	STATOR ASS'Y 110V - 115V	1	INCLUD.5
* 4	971-302D	STATOR ASS'Y 120V - 127V	1	INCLUD.5
* 4	971-302E	STATOR ASS'Y 220V - 230V	1	INCLUD.5
* 4	971-302F	STATOR ASS'Y 240V	1	INCLUD.5
* 4	971-302G	STATOR ASS'Y 230V	1	INCLUD.5 FOR NZL,SAF
* 4	971-302K	STATOR ASS'Y 220V - 230V	1	INCLUD.5 FOR CHN
* 4	971-302H	STATOR ASS'Y 240V	1	INCLUD.5 FOR AUS
* 4	971-302N	STATOR ASS'Y 240V	1	INCLUD.5 FOR GBR
* 4	971-302M	STATOR ASS'Y 110V - 115V	1	INCLUD.5 FOR GBR
* 4A	971-302L	STATOR ASS'Y 220V	1	INCLUD.5 FOR EUROPE
* 4A	340-036	STATOR ASS'Y 100V	1	INCLUD.5A,7A FOR KOR
* 5	930-630	BRUSH TERMINAL	2	
* 5A		BRUSH TERMINAL	2	SINCE 1.1986 FOR KOR
* 7	971-303	TAPPING SCREW D5X40	2	
* 7A	992-509	HEX. HD. TAPPING SCREW D5X45	2	SINCE 1.1986 FOR KOR
* 8	971-305C	ARMATURE 110V - 115V	1	
* 8	971-305D	ARMATURE 120V - 127V	1	
* 8	971-305E	ARMATURE 220V - 230V	1	
* 8	971-305F	ARMATURE 240V	1	
* 8	971-304	ARMATURE 100V	1	FOR KOR
9	608-VVM	BALL BEARING 808VVMC2EPS2L	2	
10	931-701	BEARING LOCK	2	
11B	930-079	WASHER	1	
12	971-306	CASING	1	
* 13	930-487	CORD ARMOR D8.2	1	
* 13	930-026	CORD ARMOR D10.2	1	
* 14	500-212Z	CORD	1	(CORD ARMOR D8.2) FOR ASIA
* 14	500-223Z	CORD	1	(CORD ARMOR D10.2) FOR SIN
* 14	500-228Z	CORD	1	(CORD ARMOR D8.2) FOR AUS
* 14	500-231Z	CORD	1	(CORD ARMOR D8.2) FOR SAF,GBR (110V)
* 14	500-234Z	CORD	1	(CORD ARMOR D8.2) FOR EUROPE
* 14	500-240Z	CORD	1	(CORD ARMOR D8.2) FOR USA
* 14	500-409Z	CORD	1	(CORD ARMOR D8.2) FOR CHN
* 14	500-420Z	CORD	1	(CORD ARMOR D10.2) FOR SAU (127V)
* 14	500-421Z	CORD	1	(CORD ARMOR D8.2) FOR SAU (220V)
* 14A	500-436Z	CORD	1	(CORD ARMOR D8.2) FOR GBR (240V)
15	957-580	TAPPING SCREW D5X30	3	
16	949-424	WASHER M5 (10 PCS.)	3	
17	937-631	CORD CLIP	1	
18	954-004	TAPPING SCREW D4X16	2	
19	949-423	WASHER M4 (10 PCS.)	9	
* 20	957-747	SWITCH (A) (1P SCREW TYPE) W/LOCK	1	
* 20	994-734	SWITCH (B) (2P SCREW TYPE) W/LOCK	1	FOR GBR,ITA,FRG,FRA,HOL,SUI
* 20	971-667Z	SWITCH (2P PILLAR TYPE) W/LOCK	1	FOR AUS,DEN
* 21A	994-273	NOISE SUPPRESSOR	1	
* 22	959-141	CONNECTOR 50092 (10 PCS.)	1	
23	971-308	HANDLE COVER	1	

*: ALTERNATIVE PARTS

