

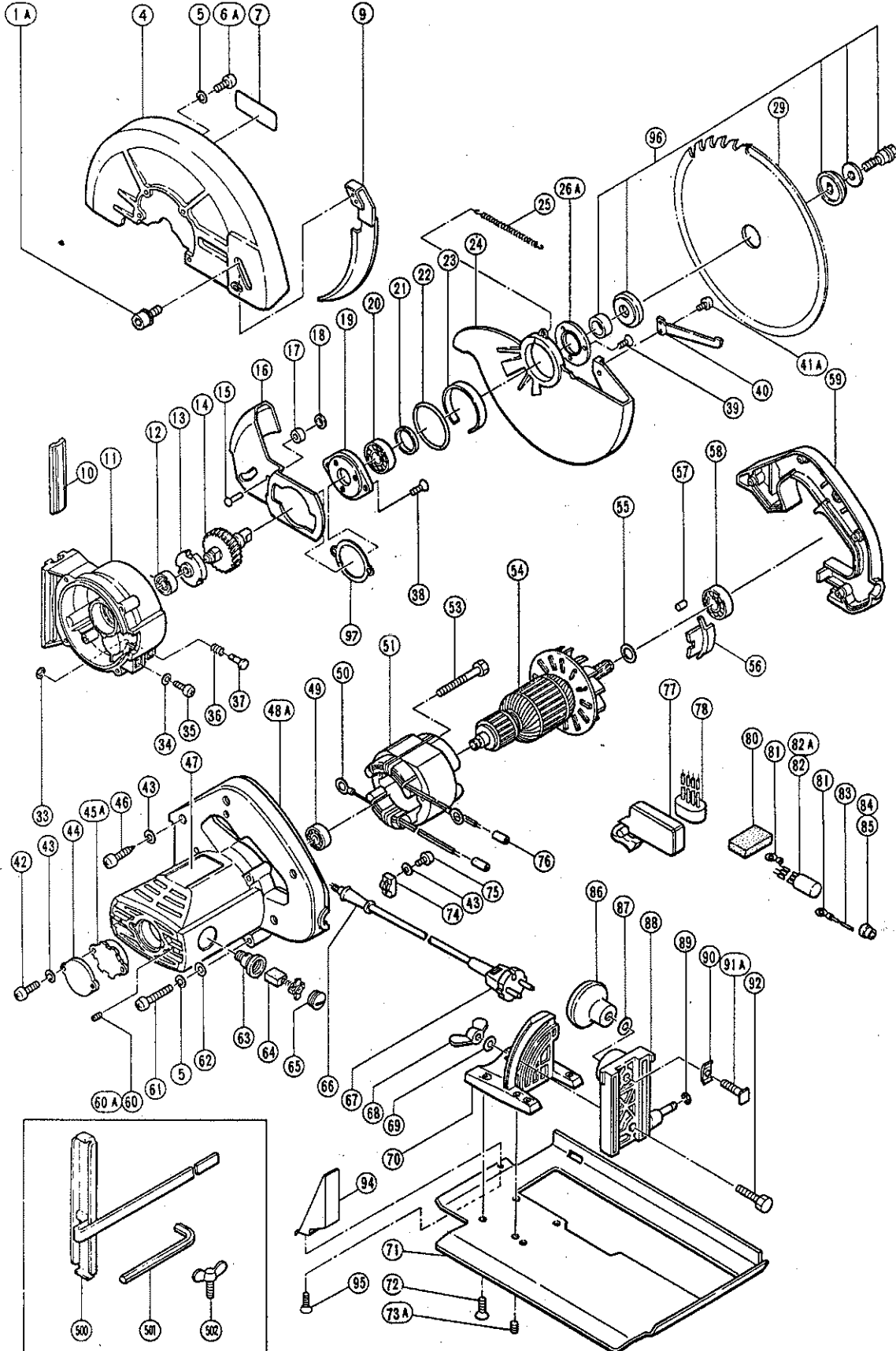
## ELECTRIC TOOL PARTS LIST

■ CIRCULAR SAW

1987·11·30

Model PSM-9

PSM-9(E4)



## PARTS

PSM-9(E4)

| Item No. | Code No. | Part Name                           | Q'ty | Remarks                 |
|----------|----------|-------------------------------------|------|-------------------------|
| 1A       | —        | Bolt                                | 2    | See alternative parts   |
| 2        | —        | Super Lock Washer                   | 2    | See alternative parts   |
| 4        | 961801   | Saw Cover                           | 1    |                         |
| 5        | 949454   | Spring Lock Washer                  | 8    | for M5 (10 pcs.)        |
| 6A       | 949239   | Machine Screw M5 x 16               | 4    |                         |
| 7        | 957561   | HITACHI Label                       | 1    |                         |
| 9        | —        | Riving Knife                        | 1    | See alternative parts   |
| 10       | 961834Z  | Liner (B)                           | 1    |                         |
| 11       | 961828Z  | Inner Cover                         | 1    |                         |
| 12       | 939291   | Ball Bearing (608VVC2)              | 1    |                         |
| 13       | 961804Z  | Lock Plate                          | 1    |                         |
| 14       | 961805Z  | Spindle Gear                        | 1    |                         |
| 15       | 961836Z  | Rivet D6                            | 1    |                         |
| 16       | —        | Sub Cover                           | 1    | See alternative parts   |
| 17       | 961840Z  | Cushion                             | 1    |                         |
| 18       | 961837Z  | Push Nut                            | 1    |                         |
| 19       | 940867   | Bearing Holder                      | 1    |                         |
| 20       | 877027   | Ball Bearing (6003VVCM)             | 1    |                         |
| 21       | 958063   | Washer                              | 1    | till 11, 1986           |
| 22       | 958406Z  | Thrust Washer                       | 1    |                         |
| 23       | 961807Z  | Bushing                             | 1    |                         |
| 24       | —        | Safety Cover                        | 1    | See alternative parts   |
| 25       | 961817Z  | Return Spring                       | 1    |                         |
| 26A      | 961806Z  | Bearing Cap                         | 1    |                         |
| 29       | —        | Saw Blade 235 mm                    | 1    | See alternative parts   |
| 33       | 673489   | E-Type Retaining Ring               | 1    | for D5 shaft            |
| 34       | 949453   | Spring Lock Washer                  | 1    | for M4 (10 pcs.)        |
| 35       | —        | Machine Screw M4 x 8                | 1    | See alternative parts   |
| 36       | 961803   | Spring                              | 1    |                         |
| 37       | 961802Z  | Lock Pin                            | 1    |                         |
| 38       | 949331   | Flat Hd. Screw M5 x 10              | 2    | (10 pcs.)               |
| 39       | 949322   | Flat Hd. Screw M4 x 10              | 3    | (10 pcs.)               |
| 40       | 961818Z  | Knob                                | 1    |                         |
| 41A      | 949216   | Machine Screw M4 x 10               | 1    | (10 pcs.)               |
| 42       | 956384   | Tapping Screw D4 x 20               | 2    |                         |
| 43       | 949423   | Washer                              | 8    | for M4 (10 pcs.)        |
| 44       | 961839Z  | Cover Plate                         | 1    |                         |
| 45A      | 961443   | Bearing Bushing                     | 1    |                         |
| 46       | 958705   | Tapping Screw D4 x 25               | 4    |                         |
| 47       | —        | Name Plate                          | 1    |                         |
| 48       | —        | Housing Ass'y                       | 1    | See alternative parts   |
| 49       | 939220   | Ball Bearing (6200VVCM)             | 1    |                         |
| 50       | 958032   | Brush Terminal                      | 2    |                         |
| 51       | —        | Stator Ass'y                        | 1    | See alternative parts   |
| 53       | 953174   | Hexagon Hd. Tapping Screw D5 x 55   | 2    |                         |
| 54       | —        | Armature                            | 1    | See alternative parts   |
| 55       | 930163   | Distance Washer                     | 1    |                         |
| 56       | 961800Z  | Fan Guide                           | 1    |                         |
| 57       | 946362   | Bearing Lock                        | 1    |                         |
| 58       | 939494   | Ball Bearing (6202VVCM)             | 1    |                         |
| 59       | 961811Z  | Handle Cover                        | 1    |                         |
| 60       | 949368   | Slotted Hd. Set Screw M4 x 10       | 2    | till 10, 1985 (10 pcs.) |
| 60A      | 938477   | Hexagon Socket Hd. Set Screw M5 x 8 | 2    | since 11, 1985          |

## PARTS

PSM-9(E4)

| Item No. | Code No. | Part Name                            | Q'ty | Remarks                         |
|----------|----------|--------------------------------------|------|---------------------------------|
| 61       | 949249   | Machine Screw M5 x 45                | 4    | (10 pcs.)                       |
| 62       | 949424   | Washer                               | 4    | (10 pcs.)                       |
| 63       | —        | Brush Holder                         | 2    | See alternative parts           |
| 64       | —        | Carbon Brush                         | 2    | See alternative parts           |
| 65       | —        | Brush Cap                            | 2    | See alternative parts           |
| 66       | —        | Cord Armor                           | 1    | See alternative parts           |
| 67       | —        | Cord                                 | 1    | See alternative parts           |
| 68       | —        | Wing Nut                             | 1    | See alternative parts           |
| 69       | 949433   | Bolt Washer                          | 1    | for M8                          |
| 70       | 961814Z  | Angle Mount                          | 1    |                                 |
| 71       | —        | Base                                 | 1    | See alternative parts           |
| 72       | 949332   | Flat Hd. Screw M5 x 12               | 4    | (10 pcs.)                       |
| 73A      | 961796   | Hexagon Socket Hd. Set Screw M5 x 10 | 1    | (Seal Lock Screw) (10 pcs.)     |
| 74       | 960266   | Cord Clip                            | 1    |                                 |
| 75       | 954004   | Tapping Screw D4 x 16                | 2    |                                 |
| 76       | —        | Tube (D)                             | 2    | See alternative parts           |
| 77       | 961810Z  | Double Pole Switch (Pillar Type)     | 1    |                                 |
| 78       | —        | Choke Coil                           | 1    | See alternative parts           |
| 80       | —        | Support                              | 1    | See alternative parts           |
| 81       | —        | Terminal                             | 2    | See alternative parts           |
| 82       | —        | Noise Suppressor                     | 1    | See alternative parts           |
| 83       | —        | Internal Wire                        | 1    | See alternative parts           |
| 84       | —        | Connector (50092)                    | 2    | See alternative parts (10 pcs.) |
| 85       | —        | Connector (50091)                    | 1~5  | See alternative parts (10 pcs.) |
| 86       | 961815Z  | Knob Ass'y                           | 1    |                                 |
| 87       | 949434   | Bolt Washer                          | 1    | for M10 (10 pcs.)               |
| 88       | 961813Z  | Slide Mount Ass'y                    | 1    |                                 |
| 89       | 968643   | E-Type Retaining Ring                | 1    | for D4 shaft                    |
| 90       | 961833Z  | Liner (A)                            | 1    | till 8, 1987                    |
| 91A      | 961812Z  | Special Bolt M10                     | 1    |                                 |
| 92       | 949628   | Bolt M8 x 30                         | 1    | (10 pcs.)                       |
| 94       | —        | Guard Plate (A)                      | 1    | See alternative parts           |
| 95       | —        | Flat Hd. Screw                       | 1    | See alternative parts           |
| 96       | —        | Washer (A) (B) Set                   | 1    | See alternative parts           |
| 97       | —        | Thrust Washer                        | 1    | See alternative parts           |
|          |          |                                      |      |                                 |
|          |          |                                      |      |                                 |
|          |          |                                      |      |                                 |

## ALTERNATIVE PARTS

| Item No. | Code No. | Part Name                       | Q'ty | Remarks                                    |
|----------|----------|---------------------------------|------|--|
| 1A       | 961795   | Hexagon Socket Hd. Bolt M8 x 12 | 2    | w/Flange for Europe (10 pcs.)              |
|          | 961794   | Bolt M8 x 12                    | 2    | w/Flange for Switzerland, France (10 pcs.) |
| 9        | 961830Z  | Riving Knife                    | 1    | for Europe                                 |
| 16       | 961841Z  | Sub Cover                       | 1    |  |
|          | 961846Z  | Sub Cover                       | 1    | for U.S.A.                                 |
|          | 961790   | Sub Cover                       | 1    | for N.Z.                                   |
| 24       | 961826Z  | Safety Cover                    | 1    | for Europe                                 |
|          | 961827Z  | Safety Cover                    | 1    |  |

## ALTERNATIVE PARTS

PSM-9(E4)

| Item No. | Code No. | Part Name                       | Q'ty | Remarks  |
|----------|----------|---------------------------------|------|--|
| 29       | 500321   | Combination Saw Blade 235 mm    | 1    | bore size 35 mm  |
|          | 500338   | Combination Saw Blade 235 mm    | 1    | bore size 30 mm  |
|          | 961847   | Combination Saw Blade 235 mm    | 1    | bore size 16 mm  |
|          | 500376   | Carbide-Tipped Saw Blade 235 mm | 1    | bore size 16 mm  |
|          | 961437Z  | Carbide-Tipped Saw Blade 240 mm | 1    | bore size 30 mm  |
| 35       | 949215   | Machine Screw M4 x 8            | 1    | for U.S.A. (10 pcs.)   |
| 48A      | 961821Z  | Housing Ass'y                   | 1    | includes 60A, 63   |
|          | 961822Z  | Housing Ass'y                   | 1    | for Austria includes 60A, 63   |
|          | 961823P  | Housing Ass'y                   | 1    | for U.S.A. includes 60A, 63  |
| 51       | 961835C  | Stator Ass'y 110V~115V          | 1    | includes 50  |
|          | 961835D  | Stator Ass'y 120V~127V          | 1    | includes 50  |
|          | 961835E  | Stator Ass'y 220V~230V          | 1    | includes 50  |
|          | 961835F  | Stator Ass'y 240V               | 1    | includes 50  |
|          | 961835M  | Stator Ass'y 240V               | 1    | for U.K. includes 50   |
|          | 961835J  | Stator Ass'y 110V               | 1    | for U.K. includes 50   |
|          | 961835K  | Stator Ass'y 220V~230V          | 1    | for F.R. Germany, Italy, Switzerland, Netherlands, N.Z. includes 50  |
|          | 961835L  | Stator Ass'y 220V~230V          | 1    | for France, Denmark, Finland, Sweden, Austria, S. Africa includes 50 |
| 54       | 961819C  | Armature 110V~115V              | 1    |  |
|          | 961819D  | Armature 120V~117V              | 1    |  |
|          | 961819E  | Armature 220V~230V              | 1    |  |
|          | 961819F  | Armature 240V                   | 1    |  |
|          | 961819H  | Armature 240V                   | 1    | for U.K.   |
|          | 961819J  | Armature 110V                   | 1    | for U.K.   |
|          | 961819M  | Armature 220V~230V              | 1    | for France, Denmark, Finland, Sweden, Austria, S. Africa             |
| 63       | 980487   | Brush Holder                    | 2    |  |
|          | 937948Z  | Brush Holder                    | 2    | for Austria  |
| 64       | 937943Z  | Carbon Brush                    | 2    | Auto stop type (2 pcs.)  |
|          | 999044   | Carbon Brush                    | 2    | (2 pcs.)   |
| 65       | 940540   | Brush Cap                       | 2    |  |
|          | 937949Z  | Brush Cap                       | 2    | for Austria  |
| 66       | 940778   | Cord Armor D10.7                | 1    |  |
|          | 958049Z  | Cord Armor D8.2                 | 1    |  |
| 67       | 500201Z  | Cord 220V~240V                  | 1    | (Cord Armor D10.7)   |
|          | 500214Z  | Cord 110V~127V                  | 1    | (Cord Armor D10.7)   |
|          | 500223Z  | Cord 230V~240V                  | 1    | for Kuwait (Cord Armor D10.7)  |
|          | 500226Z  | Cord 240V                       | 1    | for Australia (Cord Armor D8.2)                                      |
|          | 500234Z  | Cord 110V~240V                  | 1    | for Asia (Cord Armor D8.2)   |
|          | 500236Z  | Cord 230V                       | 1    | for N.Z. (Cord Armor D8.2)   |
|          | 500237Z  | Cord 230V                       | 1    | for S. Africa (Cord Armor D8.2)                                      |
|          | 500245Z  | Cord 220V                       | 1    | (Cord Armor D10.7)   |
|          | 500247Z  | Cord 220V                       | 1    | for Netherlands, Denmark, Finland, Sweden (Cord Armor D10.7)         |
|          | 500248Z  | Cord 220V                       | 1    | for Switzerland (Cord Armor D10.7)                                   |
|          | 500396Z  | Cord 110V~240V                  | 1    | for U.K. (Cord Armor D8.2)   |
|          | 500400Z  | Cord 115V                       | 1    | for U.S.A. (Cord Armor D10.7)  |

ALTERNATIVE PARTS

PSM-9(E4)

| Item No. | Code No. | Part Name               | Q'ty | Remarks   |
|----------|----------|-------------------------|------|---|
| 68       | 949312   | Wing Nut M8             | 1    | (10 pcs.)   |
|          | 961843Z  | Knob                    | 1    | for Switzerland, France   |
| 71       | 961816Z  | Base                    | 1    |   |
|          | 961845Z  | Base                    | 1    | for U.S.A.  |
|          | 961792   | Base                    | 1    | for N.Z.  |
| 76       | 961820   | Tube (D)                | 2    |   |
| 78       | 961863   | Choke Coil              | 1    | for N.Z.  |
| 80       | 963243   | Support                 | 1    |   |
| 81       | 961419Z  | Terminal                | 2    |   |
|          | 938108   | Terminal                | 1    |   |
| 82A      | 994306   | Noise Suppressor        | 1    | for Switzerland   |
| 82       | 500258Z  | Noise Suppressor        | 1    | for N.Z.  |
|          | 994211   | Noise Suppressor        | 1    | for Finland, Austria  |
| 82A      | 930030   | Noise Suppressor        | 1    | for U.K., Italy, Netherlands, F.R. Germany, France, Denmark, Finland, Sweden, Austria |
| 83       | 981589   | Internal Wire           | 1    | for N.Z., Switzerland till 7, 1987  |
|          |          |                         | 1    | for Switzerland till 7, 1987  |
| 84       | 959141   | Connector (50092)       | 2    | (10 pcs.)   |
| 85       | 959140   | Connector (50091)       | 1~5  | till 7, 1987 (10 pcs.)  |
| 94       | 961961   | Guard Plate (A)         | 1    | for U.S.A.  |
| 95       | 949331   | Flat. Hd. Screw M5 x 10 | 1    | for U.S.A. (10 pcs.)  |
| 96       | 962077   | Washer (A) (B) Set      | 1    | for D30 Carbide-Tipped Saw Blade  |
|          | 962078   | Washer (A) (B) Set      | 1    | for D16/30 Combination Saw Blade  |
|          | 962079   | Washer (A) (B) Set      | 1    | for D25/35 Combination Saw Blade  |
| 97       | 961791   | Thrust Washer           | 1    | for N.Z.  |

STANDARD ACCESSORIES

| Item No. | Code No. | Part Name                 | Q'ty | Remarks                         |
|----------|----------|---------------------------|------|---------------------------------|
| 500      | 958405Z  | Guide                     | 1    |                                 |
| 501      | 961831Z  | Hexagon Bar Wrench 6 mm   | 1    | for Europe                      |
|          | 949168   | Double-ended Wrench 13/17 | 1    | for Swiss, France, N.Z., U.S.A. |
| 502      | 949397   | Wing Bolt M5 x 10         | 1    | (10 pcs.)                       |