

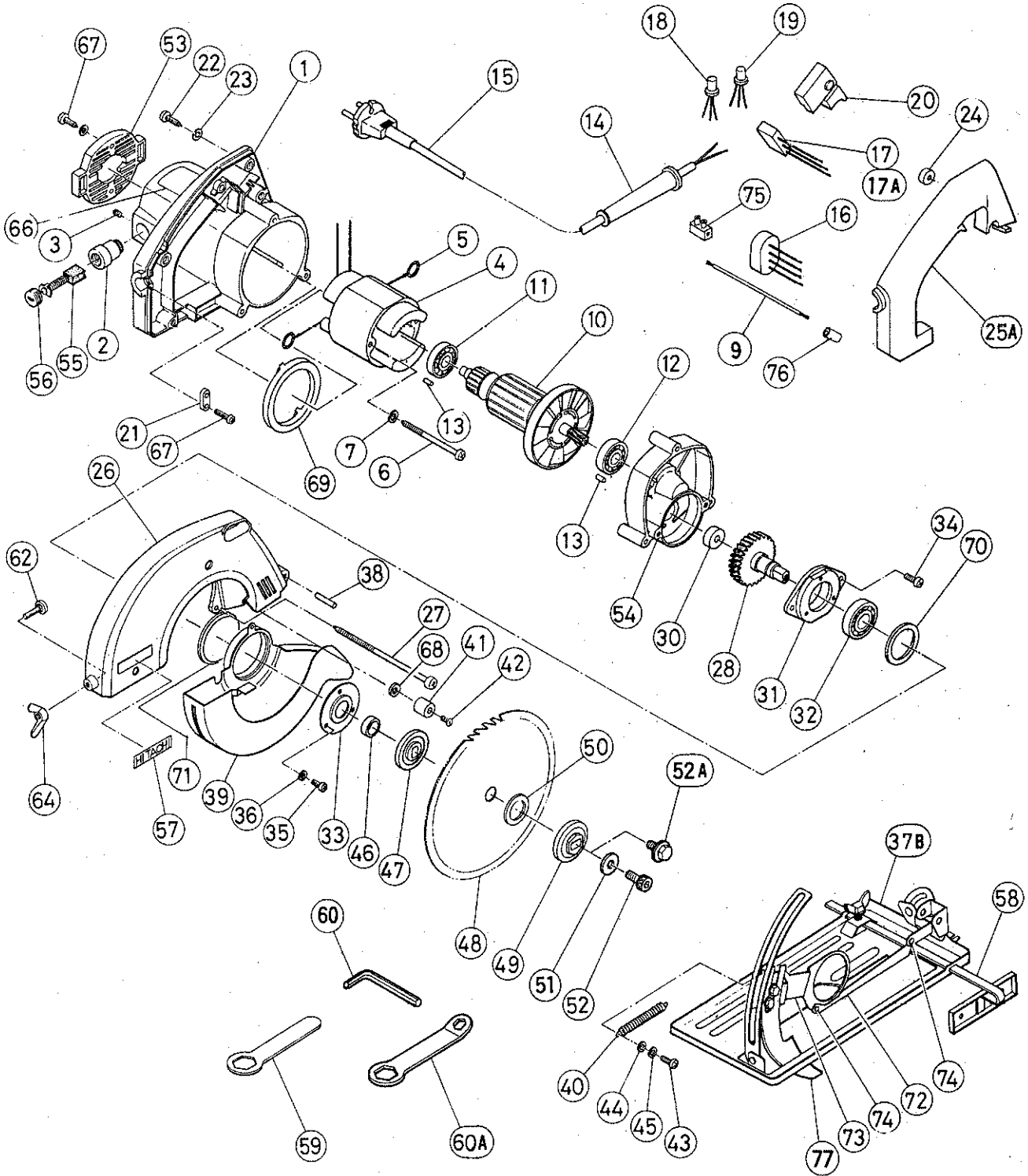
## ELECTRIC TOOL PARTS LIST

■ CIRCULAR SAW

1987·11·30

Model PSU-6

PSU-6(E6)



## PARTS

PSU-6 (E6)

Item No.	Code No.	Part Name	Q'ty	Remarks
1	—	Housing Ass'y	1	See alternative parts
2	—	Brush Holder	2	See alternative parts
3	938477	Hexagon Socket Hd. Set Screw M5 x 8	2	
4	—	Stator Ass'y	1	See alternative parts
5	930703	Brush Terminal	2	
6	944828	Machine Screw M5 x 65	2	
7	949454	Spring Lock Washer	2	for M5 (10 pcs.)
8	—	Internal Wire Ass'y	2	See alternative parts
9	—	Internal Wire Ass'y	1	See alternative parts
10	—	Armature	1	See alternative parts
11	939291	Ball Bearing (608VVC2)	1	
12	939498	Ball Bearing (6201VVCM)	1	
13	931701	Bearing Lock	2	
14	—	Cord Armor	1	See alternative parts
15	—	Cord	1	See alternative parts
16	—	Choke Coil	1	See alternative parts
17	—	Noise Suppressor	1	See alternative parts
18	—	Connector	1	See alternative parts
19	—	Connector	2	See alternative parts
20	—	Switch	1	See alternative parts
21	937631	Cord Clip	1	
22	958705	Tapping Screw D4 x 25	4	
23	949423	Washer	4	for M4 (10 pcs.)
24	940311	Pushing Holder	1	till 1, 1987
25A	958381Z	Handle Cover	1	
26	958382Z	Saw Cover	1	
27	932554	Tapping Screw D5 x 30	3	
28	—	Spindle Gear	1	See alternative parts
30	954612	Metal Bushing	1	
31	958385Z	Bearing Holder	1	
32	939494	Ball Bearing (6202VVCM)	1	
33	940868	Bearing Cap	1	
34	949331	Flat Hd. Screw M5 x 10	2	(10 pcs.)
35	949216	Machine Screw M4 x 10	3	(10 pcs.)
36	949453	Spring Lock Washer	3	for M4 (10 pcs.)
37A	—	Base Ass'y	1	See alternative parts
38	949515	Roll Pin D6 x 30	1	(10 pcs.)
39	—	Safety Cover	1	See alternative parts
40	958040	Return Spring	1	
41	940827	Cushion	1	
42	949335	Flat Hd. Screw M5 x 18	1	(10 pcs.)
43	949215	Machine Screw M4 x 8	1	(10 pcs.)
44	949423	Washer	1	for M4 (10 pcs.)
45	949453	Spring Lock Washer	1	for M4 (10 pcs.)
46	940839	Distance Piece	1	
47	—	Washer (A)	1	See alternative parts
48	—	Combination Saw Blade	1	See alternative parts
49	—	Washer (B)	1	See alternative parts
50	—	Adapter Ring	1	See alternative parts
51	—	Washer	1	See alternative parts
52	—	Bolt	1	See alternative parts
53	958396	Tail Cover	1	
54	958397Z	Inner Cover	1	

## PARTS

PSU-6(E6)

Item No.	Code No.	Part Name	Q'ty	Remarks
55	999043	Carbon Brush	2	(2 pcs.)
56	---	Brush Cap	2	See alternative parts
57	950565	HITACHI Label	1	
58	958405Z	Guide	1	
59	941057	Wrench	1	
60	---	Wrench	1	See alternative parts
62	957073	Bolt	1	
64	949313	Wing Nut	1	for M6 (10 pcs.)
66	---	Name Plate	1	See alternative parts
67	930446	Tapping Screw	4	M4 x 16 w/washer
68	876205	Washer	1	
69	958401Z	Ring	1	
70	---	Washer (E)	1	See alternative parts
71	958406Z	Thrust Washer	1	
72	---	Connective Arm Ass'y	1	See alternative parts
73	---	Arm	1	See alternative parts
74	---	Rivet (B)	1	See alternative parts
75	---	Pillar Terminal	1	See alternative parts
76	---	Tube (D)	2	See alternative parts
77	958415	Riving Knife	1	

## ALTERNATIVE PARTS

Item No.	Code No.	Part Name	Q'ty	Remarks
1	958370Z	Housing Ass'y	1	includes 2, 3
	958371Z	Housing Ass'y	1	for Europe, Oceania except France, includes 2, 3
	958403Z	Housing Ass'y	1	for Austria includes 2, 3
2	981586	Brush Holder	2	for Austria
	958900	Brush Holder	2	
4	958372C	Stator Ass'y	1	110V ~ 115V includes 5
	958372D	Stator Ass'y	1	120V ~ 127V includes 5
	958372E	Stator Ass'y	1	220V ~ 230V includes 5
	958372F	Stator Ass'y	1	240V includes 5
	958372L	Stator Ass'y	1	220V ~ 230V for Europe, N.Z. includes 5
	958372K	Stator Ass'y	1	110V for U.K. includes 5
	958372M	Stator Ass'y	1	230V for S. Africa includes 5
9	961420Z	Internal Wire	1	for Switzerland
10	958374C	Armature	1	110V ~ 115V
	958374D	Armature	1	120V ~ 127V
	958374E	Armature	1	220V ~ 230V
	958374F	Armature	1	240V
	958374G	Armature	1	220V ~ 230V for Europe, S. Africa
	958374H	Armature	1	240V for U.K.
	958374J	Armature	1	110V for U.K.

ALTERNATIVE PARTS

PSU-6(E6)

Item No.	Code No.	Part Name	Q'ty	Remarks
14	940778	Cord Armor D10.7	1	
	958049Z	Cord Armor D8.2	1	
15	958375Z	Cord	1	for Asia (Cord Armor D10.7)
	958376Z	Cord	1	for Oceania (Cord Armor D8.2)
	958377Z	Cord	1	for Singapore (Cord Armor D10.7)
	958378Z	Cord	1	w/o plug for U.K., S. Africa (Cord Armor D8.2)
	958379Z	Cord	1	for Europe (Cord Armor D8.2)
	958380Z	Cord	1	for Netherlands (Cord Armor D10.7)
16	955908	Choke Coil	1	
17A	930030	Noise Suppressor	1	for N.Z., Denmark, Finland, Sweden, Austria, Norway
17	994211	Noise Suppressor	1	w/o terminal
17A	930030	Noise Suppressor	1	for Italy, F.R. Germany, France, Netherlands
18	959140	Connector (50091)	1	(10 pcs.)
19	959141	Connector (50092)	2	(10 pcs.)
20	963756Z	Double Pole Switch	1	(Safety Lock Type) for France
	971667Z	Double Pole Switch (Pillar Type)	1	w/lock
	958400Z	Double Pole Switch (Pillar Type)	1	w/o lock
28	958383Z	Spindle Gear	1	
	958384P	Spindle Gear	1	for U.K., France, Switzerland
37B	958386Z	Base Ass'y	1	
	958387Z	Base Ass'y	1	for Europe
	958407Z	Base Ass'y	1	for Finland
39	958388Z	Safety Cover	1	
	958389Z	Safety Cover	1	for Europe
47	940840	Washer (A)	1	for D30
	958044Z	Washer (A)	1	for D20/D28.6
	958390P	Washer (C)	1	for D16
48	958391Z	Combination Saw Blade 170 mm	1	bore size 30 mm
	958392Z	Combination Saw Blade 170 mm	1	bore size 28.6 mm
	958393Z	Combination Saw Blade 170 mm	1	bore size 20 mm
	958394P	Combination Saw Blade 170 mm	1	bore size 16 mm
	958408Z	Carbide Tipped Saw Blade 170 mm	1	bore size 16 mm
49	940841	Washer (B)	1	
	958395P	Washer (D)	1	for D16
50	958048Z	Adapter Ring	1	for Europe
51	958077Z	Washer $\phi 6.5$	1	for U.K., France, Switzerland
52	949660	Hexagon Socket Hd. Bolt M6 x 20	1	for U.K., France, Switzerland

**ALTERNATIVE PARTS**

PSU-6(E6)

Item No.	Code No.	Part Name	Q'ty	Remarks
52A	957749	Bolt M7	1	w/Washer
56	945161	Brush Cap	2	
	961781	Brush Cap	2	for Austria
60A	957421	Wrench	1	
60	944459	Hexagon Bar Wrench 5 mm	1	for M6 Bolt for U.K., France, Switzerland
66	—	Name Plate	1	
70	958402Z	Washer (E)	1	
72	958409Z	Connective Arm Ass'y	1	includes 74
73	958410Z	Arm	1	
74	958411Z	Rivet (B)	1	
75	938307Z	Pillar Terminal	1	
76	981373	Tube (D)	2	

**OPTIONAL ACCESSORIES**

Item No.	Code No.	Part Name	Q'ty	Remarks
	961438Z	Dust Collector Set	1	
	958404Z	Carbide Tipped Saw Blade 170 mm	1	bore size 30 mm