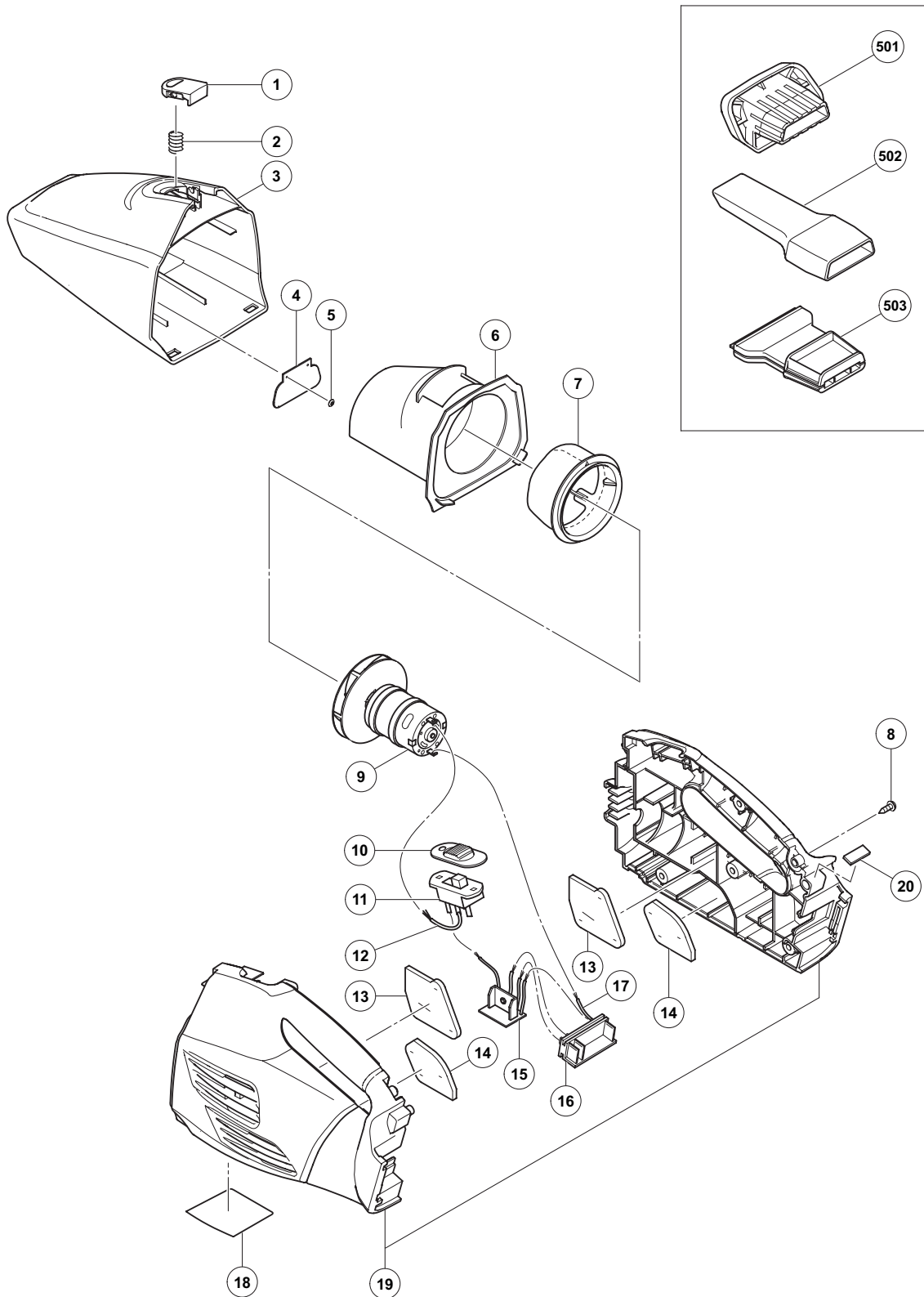


ELECTRIC TOOL PARTS LIST

CORDLESS CLEANER
Model R 14DSL

2009·5·26
(E1)



PARTS

R 14DSL

ITEM NO.	CODE NO.	DESCRIPTION	NO. USED	REMARKS
1	331-382	PUSHING BUTTON	1	
2	331-383	SPRING	1	
3	331-385	DUST CASE	1	
4	331-386	VALVE	1	
5	331-384	PUSHING NUT	2	
6	331-387	WATER GUARD	1	
7	331-404	FILTER	1	
8	301-653	TAPPING SCREW (W/FLANGE) D4 X 20 (BLACK)	6	
9	331-389	MOTOR	1	
* 10	331-388	SWITCH COVER	1	
* 10	331-378	SWITCH COVER	1	FOR USA, CAN
11	331-393	SLIDE SWITCH	1	
12	331-396	INTERNAL WIRE	1	
13	331-380	NOISE PACKING (A)	2	
14	331-381	NOISE PACKING (B)	2	
15	331-398	PRINTED CIRCUIT BOARD	1	
16	331-399	BATTERY TERMINAL	1	
17	331-400	INTERNAL WIRE	1	
18		NAME PLATE	1	
19	331-397	HOUSING (C). (D) SET	1	
20	328-709	PACKING	1	

STANDARD ACCESSORIES

ITEM NO.	CODE NO.	DESCRIPTION	NO. USED	
501	331-405	BRUSH NOZZLE	1	
502	331-406	CREVICE NOZZLE	1	
503	331-407	SQUEEGEE NOZZLE	1	