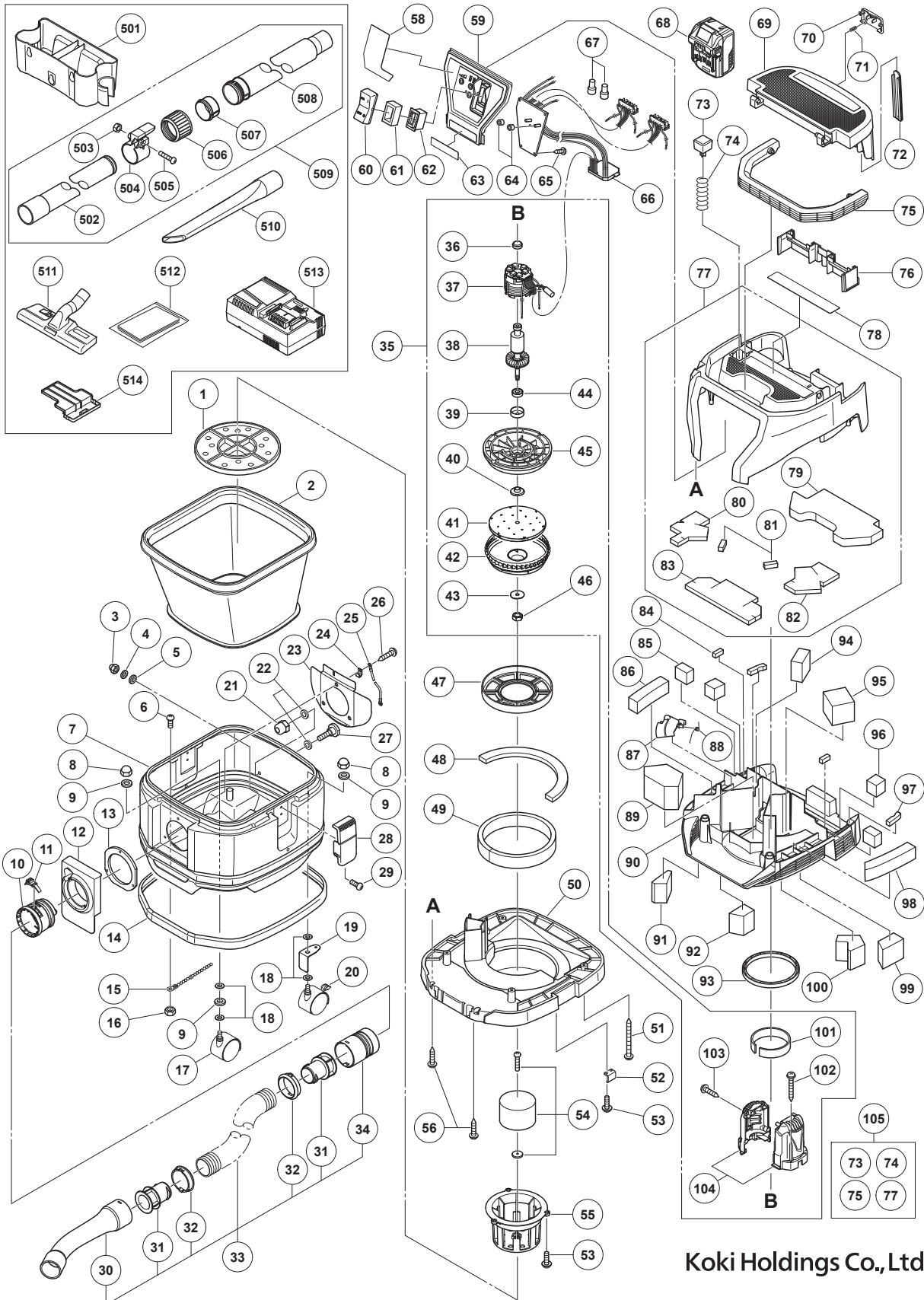


# ELECTRIC TOOL PARTS LIST

## ■ CORDLESS CLEANER Model RP 3608DA

2018·11·5  
(E1)



**PARTS**

RP 3608DA

ITEM NO.	CODE NO.	DESCRIPTION	NO. USED	REMARKS
1	330599	FILTER CAGE	1	
2	337458	DUST FILTER (8L,15L W/WET AND DRY)	1	
3	311839	HEX. CAP NUT M4	4	
4	949453	SPRING WASHER M4 (10 PCS.)	4	
5	949423	WASHER M4 (10 PCS.)	4	
6	949218	MACHINE SCREW M4 X 14 (10 PCS.)	1	
7	373591	TANK ASS'Y (8L)	1	INCLUD.8,9,17-20
8	975597	CAP NUT M8	4	
9	949433	BOLT WASHER M8 (10 PCS.)	6	
10	337451	HOSE JOINT	1	
11	321014	HOSE STOPPER	1	
12	337449	JOINT COVER (A)	1	
13	339182	JOINT COVER PACKING	1	
14	337446	BUMPER	1	
15	329872	EARTH CHAIN	1	
16	949554	NUT M4 (10 PCS.)	1	
17	337438	CASTER (D50)	2	
18	338453	RUBBER WASHER	8	
19	338454	CASTER HOLDER	2	
20	337439	CASTER (D50 WITH STOPPER)	2	
21	373590	SPECIAL NUT	3	
22	374772	WASHER	6	
23	337452	POLY GUIDE (A)	1	
24	337454	EARTH PLATE	1	
25	329183	INTERNAL WIRE (D)	1	
26	307028	TAPPING SCREW (W/FLANGE) D4 X 25 (BLACK)	3	
27	373589	SPECIAL BOLT	3	
28	337455	CLAMP LEVER	2	
29	949219	MACHINE SCREW M4 X 16 (10 PCS.)	4	
30	373581	JOINT HANDLE	1	
31	337512	SCREW RING (ID 38)	2	
32	321066	CLICK RING	2	
33	373580	HOSE ASS'Y ID38	1	INCLUD.30-32,34
34	320985	SLEEVE (A) ID38	1	
35	373569	MOTOR ASS'Y	1	INCLUD.36-46,101-104
36	338928	RUBBER BUSHING	1	
37	341003	STATOR FET PCB	1	
38	361091	ROTOR	1	
39	339180	BEARING HOLDER (B)	1	
40	339174	FLANGE WASHER	1	
41	339166	FAN	1	
42	339177	CASING	1	
43	339178	SPECIAL WASHER	1	
44	333945	BALL BEARING 608VV	1	
45	373573	FAN BASE	1	
46	339175	LOCK NUT M8	1	
47	334977	SUPPORT RING (B)	1	
48	374771	SILENT FILTER (H)	1	
49	337475	SILENT FILTER (A)	1	
50	373592	MOTOR BASE ASS'Y	1	INCLUD.48,49,56

**PARTS**

RP 3608DA

ITEM NO.	CODE NO.	DESCRIPTION	NO. USED	REMARKS
51	301815	TAPPING SCREW (W/FLANGE) D4 X 45 (BLACK)	4	
52	339358	STOPPER PLATE	2	
53	994810	SCREW (PLASTIC TIE) D4 X 16	7	
54	374770	FLOAT	1	
55	337456	FLOAT HOLDER (A)	1	
56	301653	TAPPING SCREW (W/FLANGE) D4 X 20 (BLACK)	4	
58	373579	PANEL SHEET (C)	1	
59	373571	SWITCH HOLDER ASS'Y	1	INCLUD.58,60-62
60	373576	SWITCH COVER	1	
61	373578	SWITCH PACKING	1	
62	373577	SWITCH	1	
63		BRAND LABEL	1	
64	370077	CUSHION	2	
65	372288	TAPPING SCREW (W/FLANGE) D3 X 12	5	
66	373567	CONTROLLER MAIN	1	
67	374773	CONNECTOR	2	
* 68	371750	BATTERY BSL 36A18 (EUROPE,AUS,NZL)	2	INCLUD.514
* 68	373320	BATTERY BSL 36A18 (CHN)	2	INCLUD.514
* 68	372121M	BATTERY BSL 36B18 (USA,CAN)	2	INCLUD.514
69	373572	BUTTERY GUARD ASS'Y	1	INCLUD.70-72
70	373613	CLAMP LEVER (A)	1	
71	373610	CLAMP SPRING	1	
72	373607	CORD COVER	1	
73	373609	PUSHING BUTTON	1	
74	373612	BUTTON SPRING	1	
75	373604	HANDLE	1	
76	373605	BATTERY TERMINAL HOLDER	1	
77	373598	HEAD COVER ASS'Y	1	INCLUD.79-83
78		NAME PLATE	1	
79	373599	HEAD COVER PACKING (A)	1	
80	373602	HEAD COVER PACKING (C)	1	
81	373603	HEAD COVER PACKING (D)	2	
82	373601	HEAD COVER PACKING (C)	1	
83	373600	HEAD COVER PACKING (B)	1	
84	373619	SILENT FILTER (D)	2	
85	373616	SILENT FILTER (C)	2	
86	373615	SILENT FILTER (B)	1	
87	373608	AIR VALVE	1	
88	373611	VALVE SPRING	1	
89	373626	SILENT FILTER (L)	1	
90	373597	MOTOR COVER	1	
91	373623	SILENT FILTER (F)	1	
92	373621	SILENT FILTER (E)	1	
93	373596	MOTOR PACKING (A)	1	
94	373625	SILENT FILTER (J)	1	
95	373624	SILENT FILTER (M)	1	
96	373617	SILENT FILTER (C)	2	
97	373618	SILENT FILTER (D)	2	
98	373614	SILENT FILTER (A)	1	
99	373620	SILENT FILTER (E)	1	

**PARTS**

RP 3608DA

ITEM NO.	CODE NO.	DESCRIPTION	NO. USED	REMARKS
100	373622	SILENT FILTER (F)	1	
101	373570	HOUSING PACKING (A)	1	
102	303694	TAPPING SCREW (W/FLANGE) D4 X 35 (BLACK)	4	
103	301653	TAPPING SCREW (W/FLANGE) D4 X 20 (BLACK)	4	
104	338902	HOUSING SET	1	
105	373606	HEAD COVER (A) ASS'Y	1	INCLUD.73-75,77

**STANDARD ACCESSORIES**

ITEM NO.	CODE NO.	DESCRIPTION	NO. USED	REMARKS
* 501	373588	TOOL BOX	1	EXCEPT FOR AUS,NZL,HKG
502	373584	MOLD PIPE (B)	1	
503	949554	NUT M4 (10 PCS.)	1	
504	338448	PIPE HANGER	1	
505	993539	MACHINE SCREW (W/WASHERS) M4 X 16	1	
506	373587	PIPE SCREW	1	
507	373585	CUT SLEEVE	1	
508	373583	MOLD PIPE (A)	1	
509	373582	ZOOM PIPE ASS'Y	1	INCLUD.502-508
510	337523	CREVICE NOZZLE	1	
511	337522	NOZZLE FOR FLUID	1	
512	328099	POLYETHYLENE BAG (10 PCS.)	1	
* 513		CHARGER (MODEL UC 18YSL3)	1	EXCEPT FOR AUS,NZL,HKG
* 514	329897	BATTERY COVER	2	EXCEPT FOR AUS,NZL,HKG

**OPTIONAL ACCESSORIES**

ITEM NO.	CODE NO.	DESCRIPTION	NO. USED	REMARKS
601	373627	PAPER DUSTBAG SET (5 PCS.)	1	