

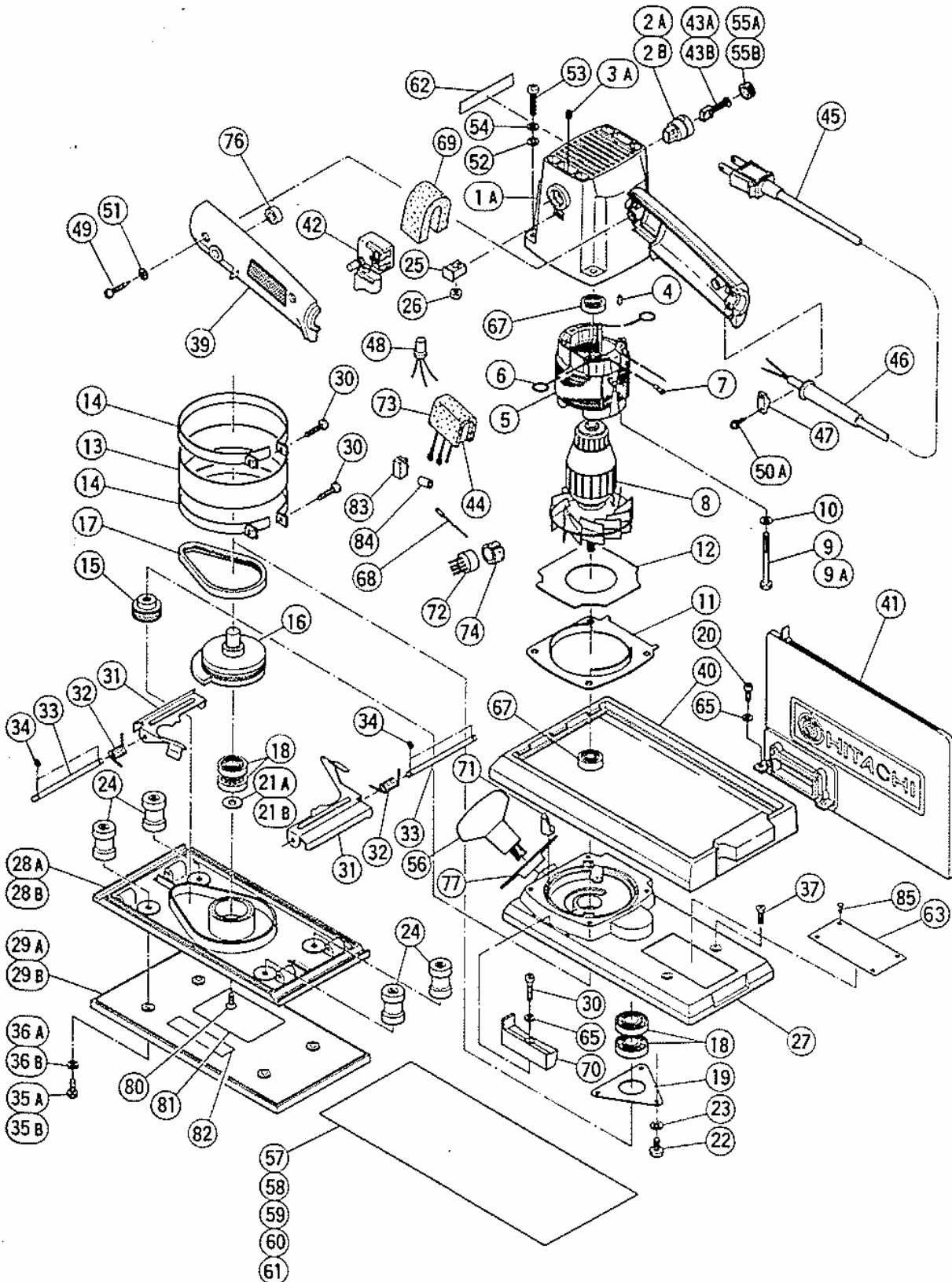
## ELECTRIC TOOL PARTS LIST

■ ORBITAL SANDER

1990·1·17

Model SOD-110

SOD-110(E6)



## PARTS

SOD-110

ITEM NO.	CODE NO.	DESCRIPTION	NO. USED	REMARKS
1A	990-801	HOUSING ASSY	1	INCLUD.2B,3A,9A
2A	931-265	BRUSH HOLDER	2	TILL 4.1984
2B	990-721	BRUSH HOLDER	2	SINCE 5.1984
3A	938-477	HEX. SOCKET SET SCREW M5X8	2	
4	931-701	BEARING LOCK	1	
* 5	953-303C	STATOR ASSY 110V-115V	1	INCLUD.6,7
* 5	953-303D	STATOR ASSY 120V-127V	1	INCLUD.6,7
* 5	953-303E	STATOR ASSY 220V-230V	1	INCLUD.6,7
* 5	953-303F	STATOR ASSY 240V	1	INCLUD.6,7
* 5	953-303G	STATOR ASSY 220V-230V	1	INCLUD.6,7 FOR NZL,EUROPE
* 5	953-303H	STATOR ASSY 240V	1	INCLUD.6,7 FOR AUS
* 5	953-303J	STATOR ASSY 110V	1	INCLUD.6,7 FOR GBR
6	930-630	BRUSH TERMINAL	2	
7	960-356	TERMINAL (A) M3.5 (10 PCS.)	2	
* 8	953-361U	ARMATURE ASSY 110V-115V	1	
* 8	953-361D	ARMATURE 120V-127V	1	
* 8	953-361E	ARMATURE 220V-230V	1	
* 8	953-361F	ARMATURE 240V	1	
* 8	953-361G	ARMATURE 220V	1	FOR EUROPE
* 8	953-361H	ARMATURE 240V	1	FOR GBR
* 8	953-361J	ARMATURE 110V	1	FOR GBR
9	949-247	MACHINE SCREW M5X35 (10 PCS.)	2	TILL 9.1987
9A	980-864	HEX. HD. TAPPING SCREW D5X40	2	SINCE 10.1987
10	949-454	SPRING WASHER M5 (10 PCS.)	2	TILL 9.1987
11	953-362	INNER GUIDE (B)	1	
12	953-307	FAN GUIDE	1	
13	953-308	RUBBER SEAL	1	
14	953-309	SEAL BAND	2	
15	953-310	PULLEY (A)	1	
16	953-344	PULLEY (B)	1	
17	953-312	BELT	1	
18	600-1VV	BALL BEARING 6001VVCMP2L	4	
19	953-313	BEARING COVER	1	
20	949-217	MACHINE SCREW M4X12 (10 PCS.)	2	
21A	953-314	WASHER	1	TILL 6.1980
21B	953-338	WASHER	1	SINCE 7.1980
22	949-216	MACHINE SCREW M4X10 (10 PCS.)	3	
23	949-453	SPRING WASHER M4 (10 PCS.)	3	
24	953-315	RUBBER LEG	4	
25	953-232	NUT COVER	2	TILL 9.1987
26	949-555	NUT M5 (10 PCS.)	2	TILL 9.1987
27	953-363	FRAME	1	
* 28A	953-335	BOTTOM PLATE ASSY	1	INCLUD.16,21B,29B,80,81 TILL 6.1980
* 28A	953-340Z	BOTTOM PLATE ASSY	1	INCLUD.16,21B,29B,80,81,82 TILL 1.1980 FOR SUI,FRA
* 28B	953-336	BOTTOM PLATE ASSY	1	INCLUD.81 SINCE 7.1980
* 28B	953-341Z	BOTTOM PLATE ASSY	1	INCLUD.81,82 SINCE 2.1980 FOR SUI,FRA
* 29A	953-332	PAD	1	TILL 6.1980
* 29B	953-337	SPONGE PAD	1	SINCE 7.1980
* 29B	953-342Z	FELT PAD	1	SINCE 2.1980 FOR SUI,FRA
30	949-221	MACHINE SCREW M4X20 (10 PCS.)	3	
31	953-319	PAPER HOLDER	2	
32	953-320	SPRING	2	

\* : ALTERNATIVE PARTS

01-90

## PARTS

SOD-110

ITEM NO.	CODE NO.	DESCRIPTION	NO. USED	REMARKS
33	953-321	HOLDER BAR	2	
34	872-971	RETAINING RING (E-TYPE) FOR D3 SHAFT	4	
35A	949-237	MACHINE SCREW M5X12 (10 PCS.)	5	TILL 6.1980
35B	949-237	MACHINE SCREW M5X12 (10 PCS.)	4	SINCE 7.1980
36A	949-454	SPRING WASHER M5 (10 PCS.)	5	TILL 6.1980
36B	949-454	SPRING WASHER M5 (10 PCS.)	4	SINCE 7.1980
37	949-331	FLAT HD. SCREW M5X10 (10 PCS.)	4	
38	953-322	DUST PLATE	1	TILL 2.1979
39	953-323	HANDLE COVER	1	
40	953-364	DUST COVER	1	
41	953-365	DUST BAG	1	
* 42	957-747	SWITCH (A) (1P SCREW TYPE) W/LOCK	1	
* 42	971-667Z	SWITCH (2P PILLAR TYPE) W/LOCK	1	
43A	999-035	CARBON BRUSH (1 PAIR)	2	TILL 4.1984
43B	999-021	CARBON BRUSH (1 PAIR)	2	SINCE 5.1984
* 44	994-273	NOISE SUPPRESSOR	1	
* 45	500-212Z	CORD	1	(CORD ARMOR D8.8)FOR ASIA
* 45	500-223Z	CORD	1	(CORD ARMOR D10.1)FOR SIN
* 45	500-226Z	CORD	1	(CORD ARMOR D8.8)FOR OCEANIA
* 45	500-231Z	CORD	1	(CORD ARMOR D8.8)FOR SAF
* 45	500-234Z	CORD	1	(CORD ARMOR D8.8)FOR EUROPE
* 45	500-237Z	CORD	1	(CORD ARMOR D8.8)FOR GBR
* 45	500-420Z	CORD	1	(CORD ARMOR D10.1) FOR SAU
* 45	500-423Z	CORD	1	(CORD ARMOR D8.8)FOR SAU
* 46	953-327	CORD ARMOR D8.8	1	
* 46	938-051	CORD ARMOR D10.1	1	
47	937-631	CORD CLIP	1	
48	959-141	CONNECTOR 50092 (10 PCS.)	3	
49	956-384	TAPPING SCREW D4X20	2	
50A	984-750	TAPPING SCREW (W/FLANGE) D4X16	2	
51	949-423	WASHER M4 (10 PCS.)	2	
52	949-424	WASHER M5 (10 PCS.)	4	
53	949-241	MACHINE SCREW M5X20 (10 PCS.)	4	
54	949-454	SPRING WASHER M5 (10 PCS.)	4	
55A	931-266	BRUSH CAP	2	TILL 4.1984
55B	937-847	BRUSH CAP	2	SINCE 5.1984
56	953-324	HANDLE KNOB	1	
57	939-771	SANDING PAPERS 114X280 AA60 (10 PCS.)	1	
58	939-772	SANDING PAPERS 114X280 AA80 (10 PCS.)	1	
59	939-774	SANDING PAPERS 114X280 AA120 (10 PCS.)	1	
60	939-776	SANDING PAPERS 114X280 AA180 (10 PCS.)	1	
61	939-778	SANDING PAPERS 114X280 AA240 (10 PCS.)	1	
62	950-565	HITACHI LABEL	1	
* 63		NAME PLATE	1	
65	949-423	WASHER M4 (10 PCS.)	6	
67	608-VVM	BALL BEARING 608VVMC2EPS2L	2	
68	953-328Z	INTERNAL WIRE	2	
69	944-483	SUPPORT	1	
70	953-368	WIND GUIDE	1	
71	953-369	SPACER	1	
72	955-908	CHOKE COIL	1	
73	930-153	SUPPORT (B)	1	

