

B11

Tanaka

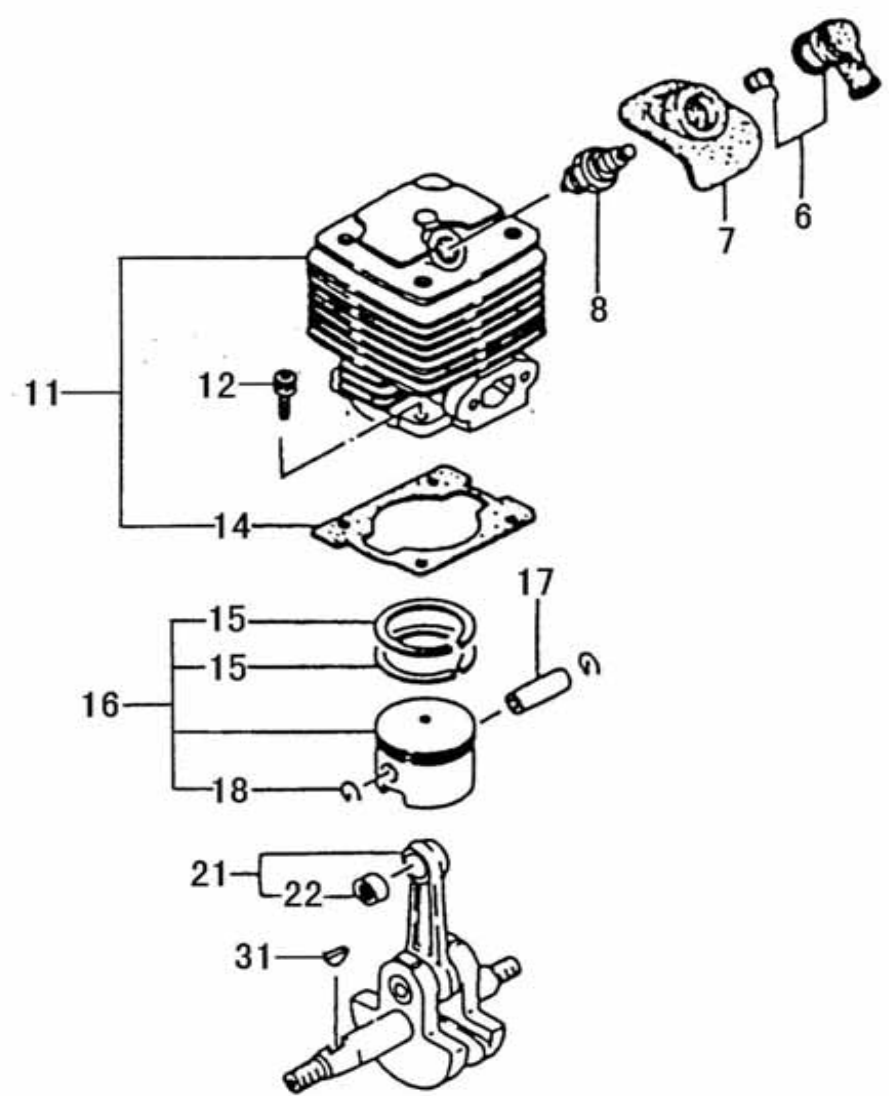
SUM 500L

9 septembre 2003

Y258200

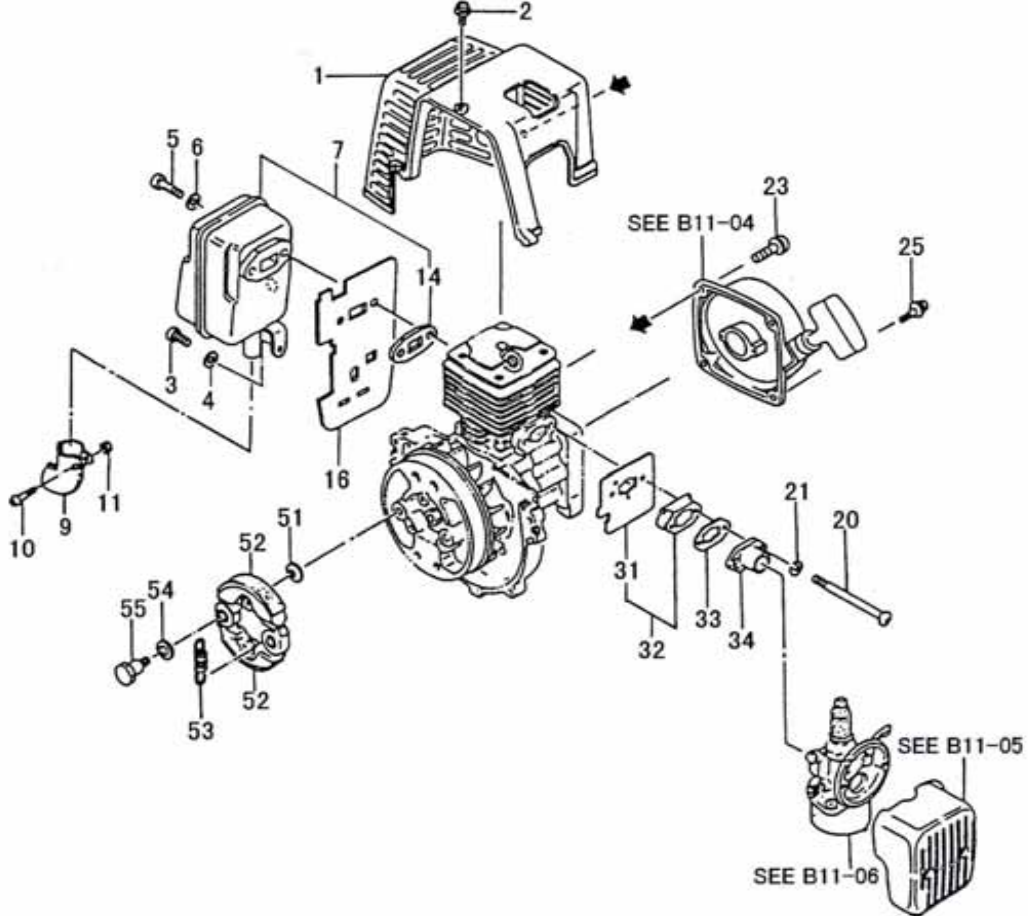
B11
01 **SUM-500L CYLINDER/PISTON/CRANK SHAFT**

Parts List				
Ref.	Part No.	Description	Q'ty	Serial No.
006	157-11666-90	SPARK PLUG CAP ASS'Y	1	
007	255-04200-20	SPARK PLUG RUBBER COVER	1	
008	018-00546-21	SPARK PLUG BMR6A	1	
011	001-04260-90	CYLINDER SET	1	
012	994-61050-184	HEX. HOLE BOLT 5X18/S	4	
014	017-04230-20	CYLINDER GASKET	1	
015	041-04050-20	PISTON RING	2	
016	030-0423Z-90	PISTON SET, SPARE	1	
017	037-01000-20	PISTON PIN 10X30	1	
018	039-05004-20	PISTON PIN CIRCLIP	2	
021	046-04200-80	CRANK SHAFT COMP.	1	
022	999-62101-004	NEEDLE BRG F1010B 1.4X8.6	1	
031	068-02000-20	WOOD-RUFF KEY 3X13X5	1	



B11 02	SUM-500L CRANK CASE	Parts List				
		Ref.	Part No.	Description	Q'ty	Serial No.
		019	991-11100-013	SMALL NUT 10	1	
		020	993-55050-000	STOP RING E-5	1	
		023	788-0162V-20	STARTER PAWL	1	
		024	790-0162V-20	STARTER PAWL SPRING	1	
		025	798-04220-90	STARTER PULLEY	1	
		026	072-04215-91	CRANK CASE ASS'Y	1	
		027	090-04200-21	CRANK CASE GASKET	1	
		028	999-66152-500	OIL SEAL 15257	2	
		029	999-61620-200	BALL BEARING #6202, 35MM/OD	2	
		030	070-02401-20	CRANK SHAFT WASHER 15.2X22	2	
		032	071-02007-20	CRANK SHAFT SHIM 0.05	V	
		032	071-02007-21	CRANK SHAFT SHIM 0.10	V	
		032	071-02007-22	CRANK SHAFT SHIM 0.15	V	
		032	071-02007-23	CRANK SHAFT SHIM 0.20	V	
		032	071-02007-24	CRANK SHAFT SHIM 0.30	V	
		036	994-14060-451	SCREW 6X45/S	2	
		038	994-14060-301	SCREW 6X30/S	2	
		051	155-20537-80	MAGNET ROTOR COMP.	1	
		052	992-00100-011	SMALL WASHER 10	1	
		054	991-11100-011	NUT 10	1	
		055	167-20537-80	IGNITION COIL COMP.	1	
		056	994-14050-181	SCREW 5X18/S	2	
		058	992-00050-011	SMALL WASHER 5	2	
		063	198-05015-80	CORD CLAMP COMP.	1	
		066	112-04230-21	FAN CASE, VERMILION	1	
		067	994-14060-202	SCREW 6X20/S	4	
		068	203-10000-20	PRIMARY CORD GROMMET	1	
		069	203-06000-20	PRIMARY CORD GROMMET	1	
		070	178-04260-80	CORD	1	
		071	274-04215-80	EARTH CORD, B270M	1	

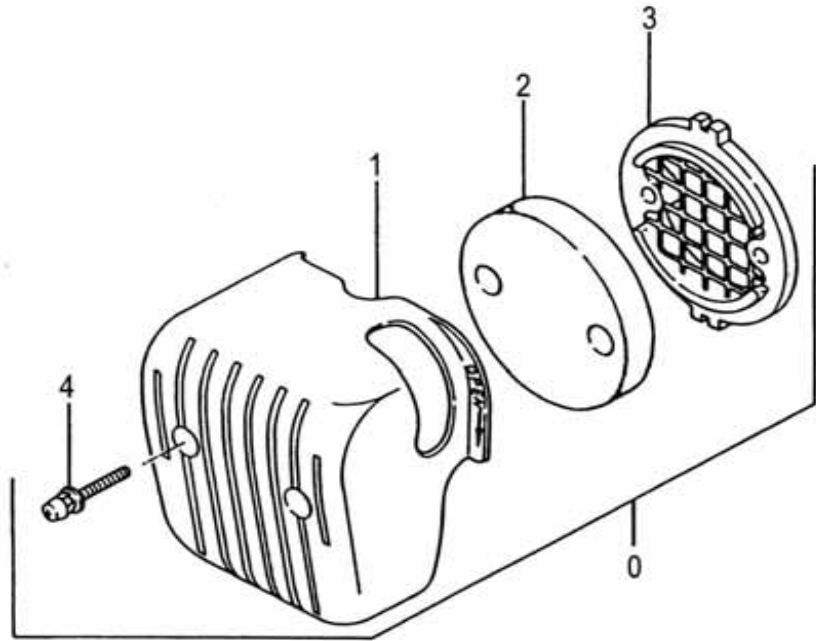
B11 03	SUM-500L ENGINE	Parts List				
		Ref.	Part No.	Description	Q'ty	Serial No.
		001	738-04230-20	MUFFLER PROTECTOR	1	
		002	994-15050-122	SCREW 5X12/PS	1	
		003	994-61050-124	HEX. HOLE BOLT 5X12S	1	
		004	992-01050-061	WASHER 5	1	W041847 -
		005	990-53060-653	HEX. HOLE BUTTON SCREW 6X65	2	
		006	992-01060-011	WASHER 6	2	
		007	704-04260-90	MUFFLER SET	1	
		009	708-01028-80	TAIL PIPE COMP.	1	
		010	990-11040-121	SCREW 4X12	1	
		011	991-01040-011	HEX. NUT 4	1	
		014	737-04230-20	MUFFLER GASKET	1	
		016	133-0421A-20	HEAT SHIELD	1	
		020	990-11060-302	SCREW 6X30	2	
		021	992-10060-042	S.WASHER 6	2	
		023	994-15050-252	SCREW 5X25PS	2	
		025	994-15050-162	SCREW 5X16/PS	2	
		031	403-04230-20	INLET MANIFOLD GASKET	1	
		032	404-04260-91	CARBURETOR INSULATOR SET	1	
		033	407-04215-20	INTAKE GASKET	1	
		034	393-05004-20	INLET MANIFOLD	1	
		051	359-10112-20	CLUTCH WASHER B	2	
		052	290-04200-81	CLUTCH ARM COMP.	2	
		053	342-04200-20	CLUTCH SPRING	1	
		054	992-04100-030	WAVE WASHER 10	2	
		055	357-04201-20	CLUTCH STEP BOLT	2	



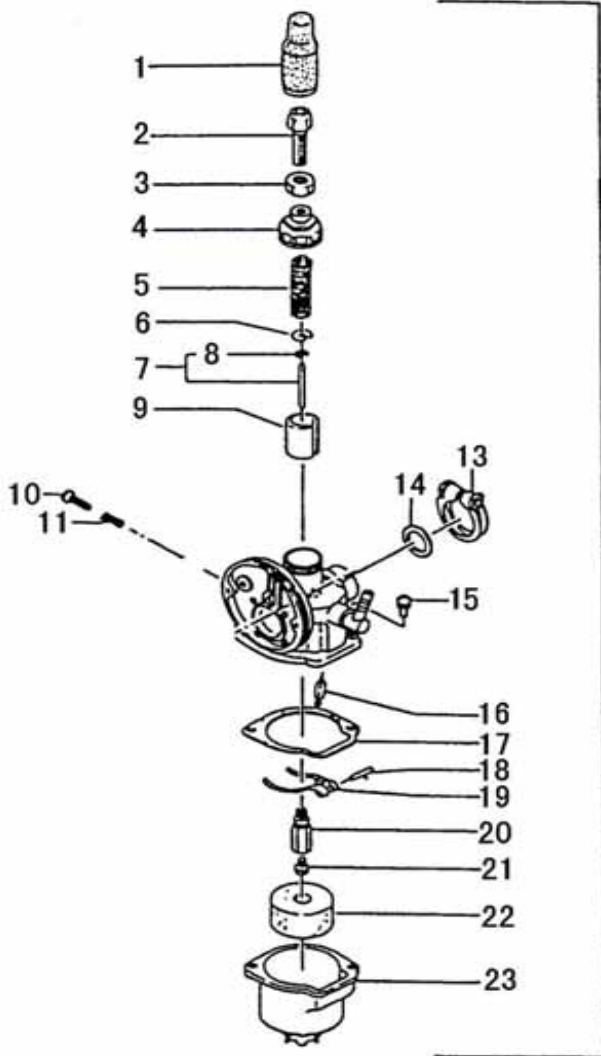
B11 04	SUM-500L RECOIL STARTER	Parts List				
		Ref.	Part No.	Description	Q'ty	Serial No.
		000	762-04220-90	RECOIL STARTER BODY ASS'Y	1	
		001	772-04220-80	RECOIL STARTER BODY COMP.	1	
		002	769-04220-20	STARTER ROPE REEL	1	
		003	779-04220-20	RECOIL SPRING	1	
		009	783-04270-20	STARTER ROPE	1	
		012	835-04220-20	STARTER HANDLE CAP	1	
		014	785-04220-20	STARTER HANDLE	1	
		017	839-04220-20	SET SCREW	1	

B11
05

SUM-500L AIR CLEANER



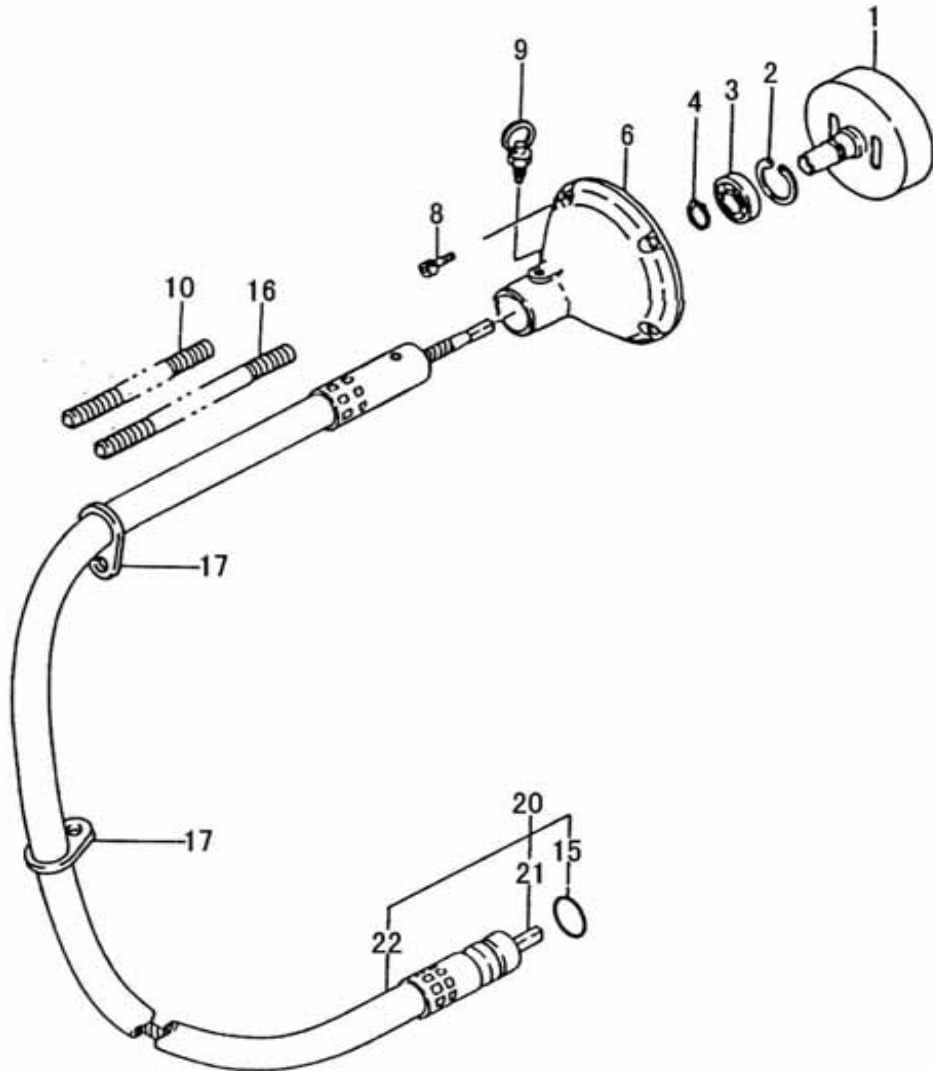
Parts List				
Ref.	Part No.	Description	Q'ty	Serial No.
000	410-00610-90	CLEANER ASS'Y	1	
001	423-00610-21	CLEANER BODY	1	
002	446-00610-20	CLEANER ELEMENT	1	
003	436-00610-21	CLEANER FIXING BASE	1	
004	994-16040-251	SCREW 4X25/WS	2	

B11 06	SUM-500L CARBURETOR	Parts List						
		Ref.	Part No.	Description	Q'ty	Serial No.		
		000	455-21814-90	CARBURETOR ASS'Y M13PT-1G	1			
		001	560-20230-20	RUBBER CAP	1			
		002	597-20110-20	CABLE ADJUSTER	1			
		003	991-01060-003	NUT 6	1			
		004	595-20230-20	BODY CAP	1			
		005	594-20200-20	THROTTLE VALVE SPRING	1			
		006	619-20203-20	THROTTLE SPRING RECIEVE	1			
		007	592-2048T-92	JET NEEDLE ASS'Y, A112	1			
		008	593-20400-20	JET NEEDLE CLIP	1			
		009	591-2025T-20	THROTTLE VALVE	1			
		010	622-20110-20	ADJUSTER SCREW	1			
		011	623-21700-20	ADJUST SPRING	1			
		013	561-20219-90	OUTLET CLIP ASS'Y	1			
		014	571-20200-20	MANIFOLD SEAL	1			
		015	994-14040-121	SCREW 4X12/S	2			
		016	603-21811-80	NEEDLE VALVE COMP.	1			
		017	607-20110-20	FLOAT CHAMBER GASKET	1			
		018	605-21011-20	FLOAT ARM PIN	1			
		019	628-20219-20	FLOAT ARM	1			
		020	598-2011T-85	NEEDLE JET 2.085	1			
		021	599-2001T-66	MAIN JET #66	1			
		022	604-21014-20	FLOAT	1			
		023	606-20433-80	FLOAT CHAMBER COMP.	1			
		031	492-20447-20	CHOKE SHAFT	1			
		032	494-20447-20	CHOKE LEVER	1			
		033	493-21810-20	CHOKE VALVE	1			
		034	506-20447-20	CHOKE WASHER	1			
		035	991-01060-003	NUT 6	1			

B11 07	SUM-500L SHOULDER FRAME	Parts List				
		Ref.	Part No.	Description	Q'ty	Serial No.
		001	244-33392-81	SHOULDER FRAME COMP.	1	
		002	245-33360-80	SHOULDER PLATE COMP.	1	
		003	746-33398-90	SHOULDER BELT ASS'Y	1	
		005	990-14050-121	TRUSS HEAD SCREW 5X12	2	
		009	994-15050-122	SCREW 5X12/PS	2	
		010	221-33390-80	ENGINE BASE B. COMP.	1	
		011	319-33390-80	CUSHION RUBBER COMP.	3	
		012	991-82060-001	FLANGE NUT 6	6	
		013	992-01080-011	WASHER 8	1	
		014	992-10080-012	S.WASHER 8	1	
		015	990-51080-143	HEX.HOLE BOLT 8X14	1	
		016	999-61600-201	BALL BEARING #6002ZZ, 32MM/OD	1	
		017	382-33360-22	BEARING HOLDER	1	
		020	994-14050-121	SCREW 5X12/S	3	
		022	591-01047-20	FUEL TANK, ORANGE	1	
		023	648-33328-20	FUEL TANK BAND,GOLD	2	
		024	994-16050-221	SCREW 5X22/WS	2	
		028	595-0130F-90	TANK CAP ASS'Y, ORANGE	1	
		029	626-32550-20	TANK CAP CHAIN	1	
		030	222-31700-20	SHIELD TUBE	1	
		031	680-10209-20	CLIP	1	
		032	592-10209-90	PET-COCK ASS'Y	1	
		033	680-01004-20	CLIP 8	1	
		034	700-15008-27	FUEL PIPE 5X8X270	1	
		035	702-33340-20	FUEL PIPE PROTECTION COIL	1	
		042	220-33390-81	ENGINE BASE COMP.	1	
		044	994-61050-124	HEX. HOLE BOLT 5X12S	4	
	047	345-33390-20	SWIVEL STOPPER	1		
	049	994-14050-121	SCREW 5X12/S	2		

B11
08

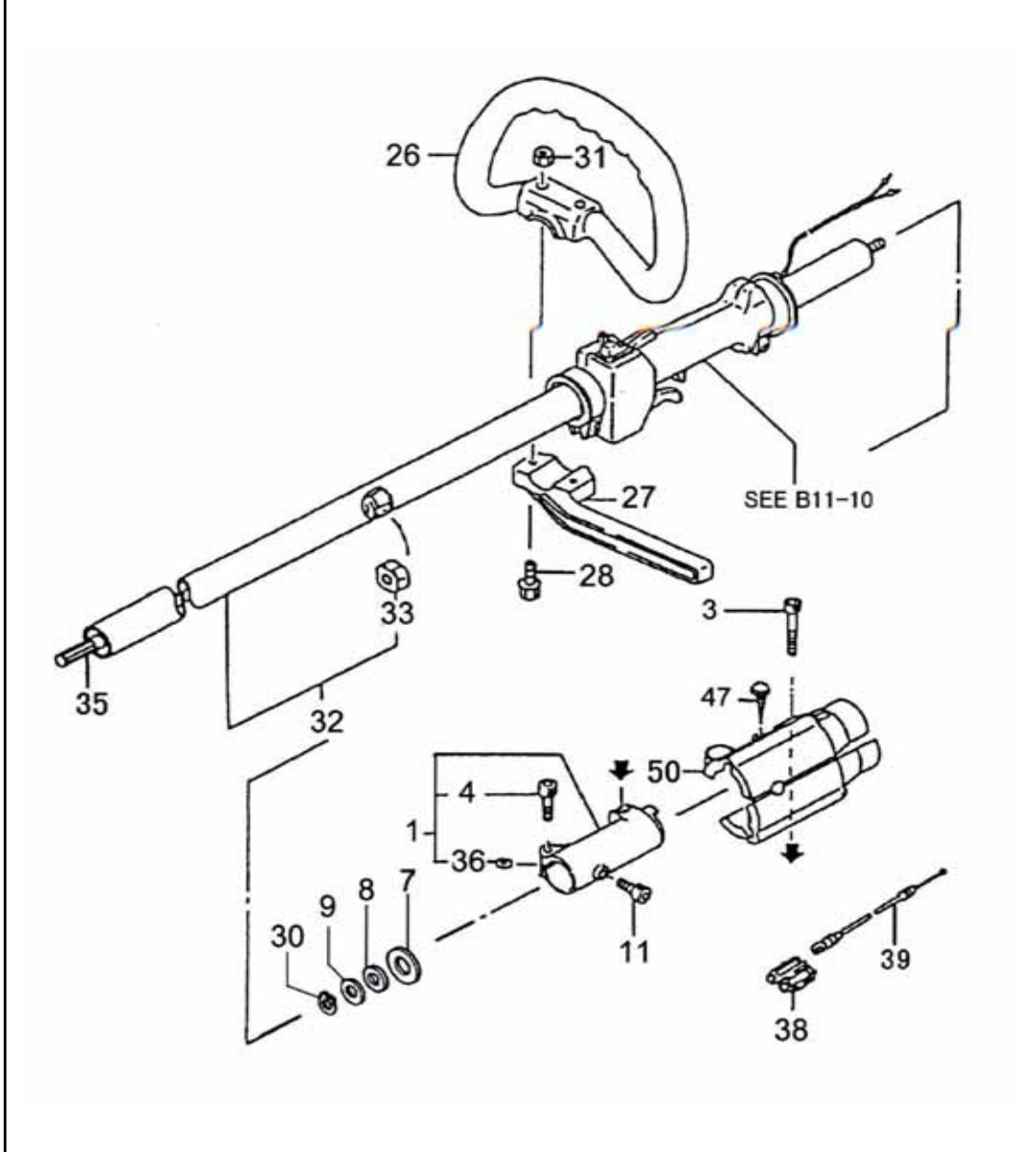
SUM-500L CLUTCH CASE



Parts List				
Ref.	Part No.	Description	Q'ty	Serial No.
001	332-33340-80	CLUTCH DRUM COMP.	1	
002	993-51035-002	STOP RING C-35, INNER	1	
003	999-61620-201	BALL BEARING #6202ZZ, 35MM/OD	1	
004	993-50015-002	STOP RING C-15, OUTER	1	
006	331-33390-20	CLUTCH CASE	1	
008	994-61050-124	HEX. HOLE BOLT 5X12S	4	
009	400-33365-81	LOCK PIN COMP.	1	
010	164-10015-00	PROTECTION TUBE 10X150L	1	
015	999-67018-000	O-RING P-18	1	
016	164-10070-00	PROTECTION TUBE 10X700L	1	
017	198-33386-20	CORD CLAMP	2	
020	351-3338F-91	FLEXIBLE SHAFT ASS'Y	1	
021	351-3338F-80	FLEXIBLE SHAFT COMP.	1	
022	350-33390-81	FLEXIBLE LINNER COMP.,880L	1	

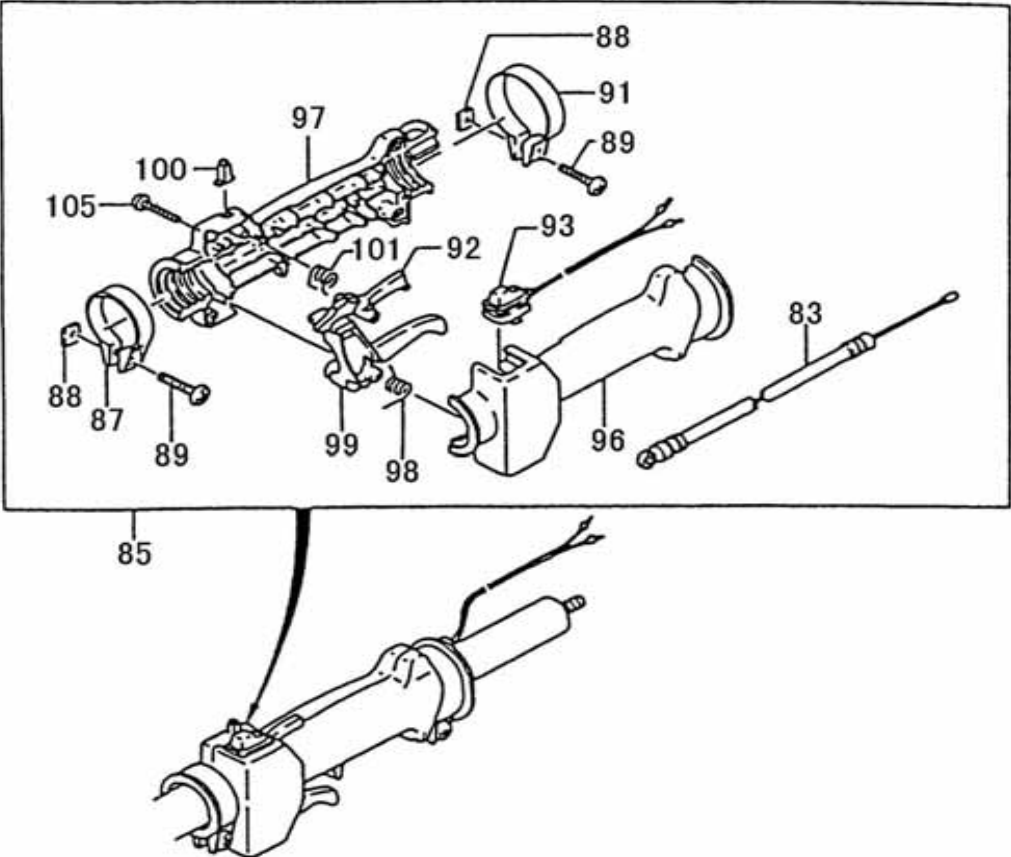
B11
09

SUM-500L OPERATION PIPE

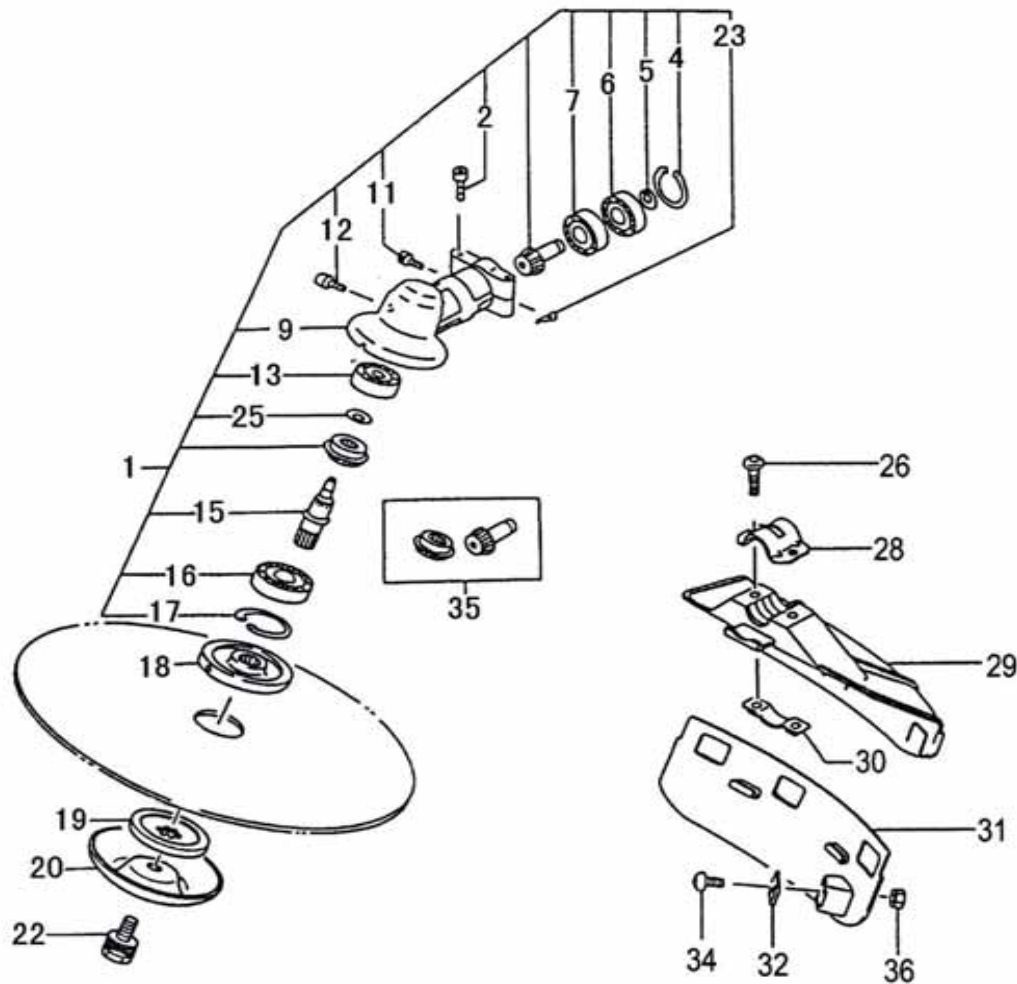


Parts List

Ref.	Part No.	Description	Q'ty	Serial No.
001	281-33398-90	JOINT PIPE ASS'Y	1	
003	994-61050-254	HEX. HOLE BOLT 5X25/S	1	
004	994-61050-224	HEX. HOLE BOLT 5X22/S	1	
007	320-33315-20	SPACER	1	
008	360-33315-20	SPACER	1	
009	358-10112-20	CLUTCH WASHER A	1	
011	990-51050-103	HEX. HOLE BOLT 5X10	1	
026	500-33560-20	HANDLE	1	
027	520-33398-20	BARRIER, 26DIA, BLACK	1	
028	994-23060-432	BOLT 6X43/P	2	
030	993-50010-002	STOP RING C-10, OUTER	1	
031	991-01060-041	HEX. NUT 6	2	
032	341-33398-80	DRIVE SHAFT PIPE COMP.	1	
033	347-33411-91	BUSHING ASS'Y	4	
035	343-33398-20	DRIVE SHAFT, 1507L	1	
036	708-32350-20	CHOKE VALVE SHIM	1	
038	888-04030-20	CONNECTOR CASE	1	
039	885-0136U-80	THROTTLE WIRE COMP.	1	
047	990-72045-204	TAPPING SCREW 4.5X20	1	
050	285-33386-21	JOINT COVER	1	

B11 10	SUM-500L THROTTLE LEVER	Parts List				
		Ref.	Part No.	Description	Q'ty	Serial No.
		083	885-3338F-80	THROTTLE WIRE COMP.	1	
		085	870-3338F-90	THROTTLE LEVER ASS'Y	1	
		087	883-37411-20	THROTTLE LEVER BAND	1	
		088	991-91060-061	SQUARE NUT 6	2	
		089	994-31060-203	SLOTTED/PHILLIP SCREW 6X20	2	
		091	889-37411-20	THROTTLE LEVER BAND B	1	
		092	253-37411-20	SAFETY LEVER	1	
		093	156-3338F-80	STOP BOTTON COMP.	1	
		096	875-37376-21	THROTTLE BODY A	1	
		097	884-37376-21	THROTTLE BODY B	1	
		098	832-37411-20	RETURN SPRING	1	
		099	880-37411-20	THROTTLE ARM	1	
		100	956-37411-20	LOCK BUTTON	1	
		101	958-37411-20	LOCK BUTTON SPRING	1	
105	993-42040-182	TAPPING SCREW 4X18	4			

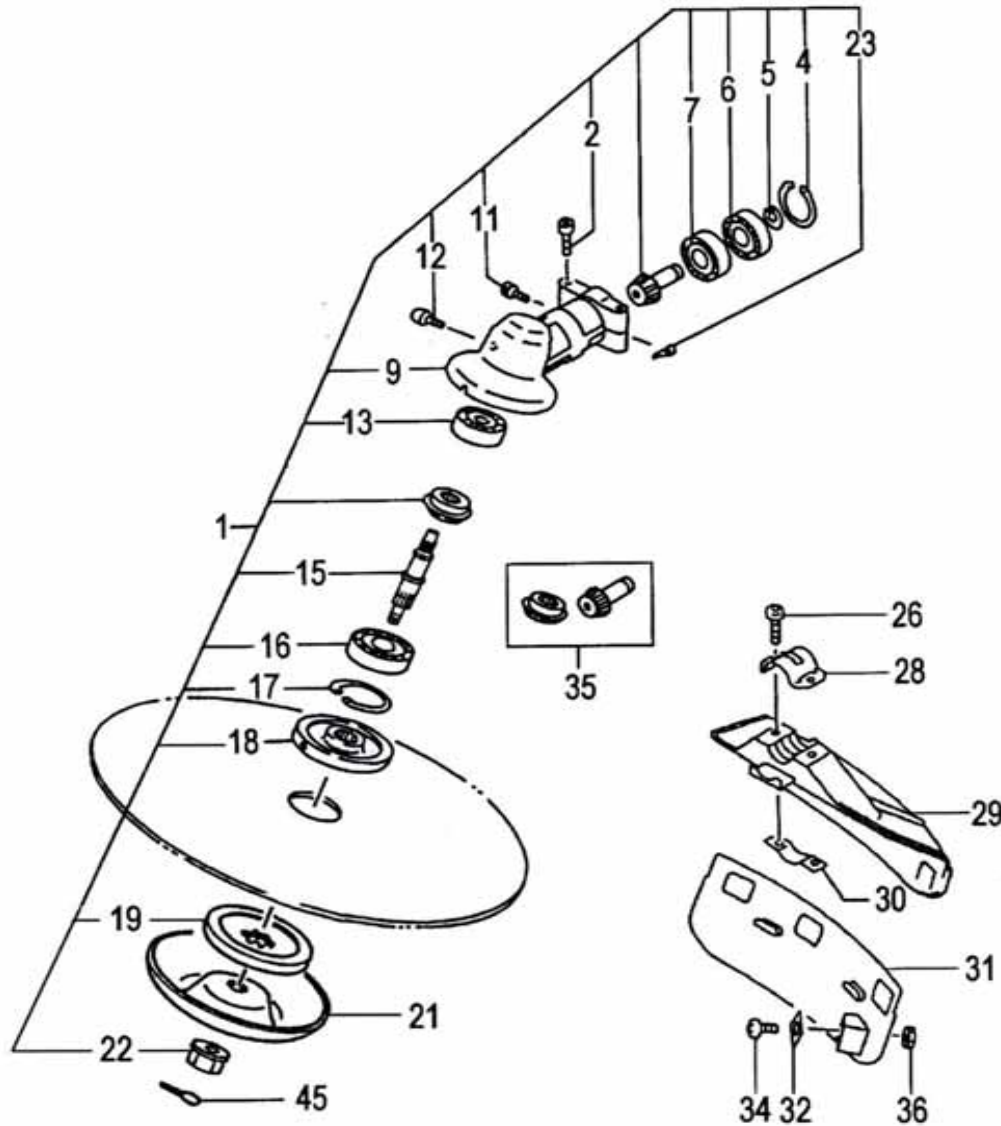
B11
11 **SUM-500L GEAR CASE/GUARD (SERIAL NO.-W041846)**



Parts List

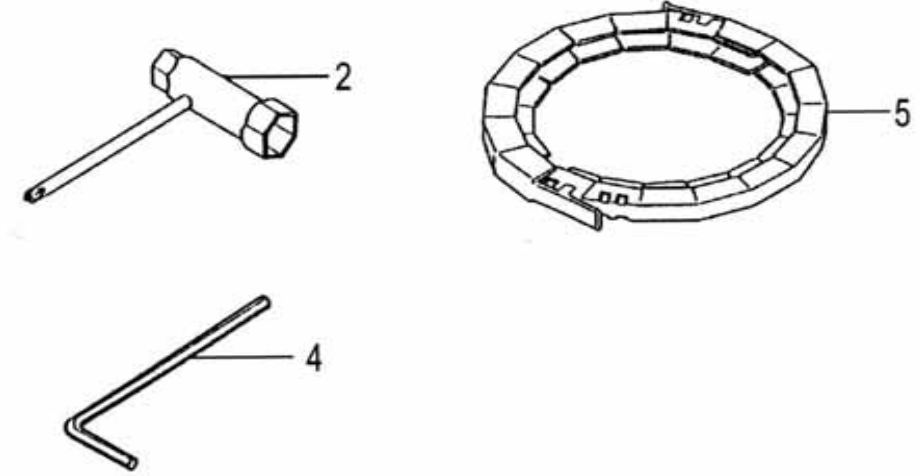
Ref.	Part No.	Description	Q'ty	Serial No.
001	300-37134-90	GEAR CASE ASSY, 26 DIA.	2	
002	994-61050-254	HEX. HOLE BOLT 5X25/S	2	
004	993-51024-002	STOP RING C-24, INNER	1	
005	993-50009-002	STOP RING C-9, OUTER	1	
006	999-61609-002	BALL BEARING 609Z ST	1	
007	999-61609-000	BALL BEARING 609	1	
009	300-3330B-20	GEAR CASE, 26 DIA.	1	
011	990-51050-103	HEX. HOLE BOLT 5X10	1	
012	994-23080-100	PLUS HEAD BOLT 8X10	1	
013	999-61628-000	BALL BEARING 628 ST	1	
015	304-37134-20	GEAR SHAFT	1	
016	999-61620-103	BALL BEARING 6201D, 32MM/OD	1	
017	993-51032-002	STOP RING C-32, INNER	1	
018	310-38100-20	CUTTER HOLDER, 12X10X1	1	
019	311-37300-20	CUTTER HOLDER CAP	1	
020	308-33410-20	PROTECTION COVER B	1	
022	312-33386-20	FIXING BOLT, L.H.	1	
023	324-37350-20	GEAR CASE WASHER	1	
025	067-37134-20	SPECIAL WASHER 1.0	1	
026	994-81060-254	HEX. HOLE BUTTON SCREW 6X25S	2	
028	442-33699-20	COVER BRACKET, 26 DIA.	1	
029	441-37380-20	SAFETY COVER, CE	1	
030	445-37380-20	SAFETY COVER HOLDER	1	
031	447-37380-20	COVER GUARD	1	
032	797-37380-21	KNIFE	1	
034	994-14050-121	SCREW 5X12/S	1	
035	301-37134-00	GEAR-PINION SET, SPARE	1	
036	991-01050-011	HEX. NUT 5	1	

B11
12 **SUM-500L GEAR CASE/GUARD(SERIAL NO.W041847-)**



Parts List

Ref.	Part No.	Description	Q'ty	Serial No.
001	300-37480-90	GEAR CASE ASS'Y, 26 DIA.	1	- W192400
001	300-3338R-90	GEAR CASE ASS'Y,26 DIA.	1	W192401 -
002	994-61050-254	HEX. HOLE BOLT 5X25/S	2	
004	993-51026-002	STOP RING C-26, INNER	1	
005	993-57010-002	STOP RING OUTER 10	1	
006	999-61600-002	BALL BEARING #6000Z, 26MM/OD	1	
007	999-61600-000	BALL BEARING #6000, 26MM/OD	1	
009	300-37480-20	GEAR CASE 26 DIA	1	
011	994-61050-124	HEX. HOLE BOLT 5X12S	1	
012	316-38150-20	OILING BOLT	1	
013	999-61609-000	BALL BEARING 609	1	
015	304-38150-20	GEAR SHAFT	1	- W192400
015	304-3338R-20	GEAR SHAFT	1	W192401 -
016	999-61620-103	BALL BEARING 6201D, 32MM/OD	1	
017	993-51032-002	STOP RING C-32, INNER	1	
018	310-38150-20	CUTTER HOLDER	1	
019	311-38150-20	CUTTER HOLDER	1	
021	308-38150-20	PROTECTION COVER B	1	
022	313-38150-20	FIXING NUT M10X1.25	1	
023	324-38150-20	GEAR CASE WASHER	1	
026	994-81060-254	HEX. HOLE BUTTON SCREW 6X25S	2	
028	442-33699-20	COVER BRACKET, 26 DIA.	1	
029	441-37380-20	SAFETY COVER, CE	1	
030	445-37380-20	SAFETY COVER HOLDER	1	
031	447-38100-20	COVER GUARD	1	
032	797-37380-21	KNIFE	1	
034	994-14050-121	SCREW 5X12/S	1	
035	301-37480-00	GEAR/PINION SET, SPARE	1	
036	991-01050-011	HEX. NUT 5	1	
045	327-37180-90	SPLIT PIN SET(10 PCS/PACK)	1	- W192400

B11 13	SUM-500L TOOLS	Parts List				
		Ref.	Part No.	Description	Q'ty	Serial No.
		002	826-20000-80	COMBI, BOX WRENCH 17X19	1	
		004	813-20000-20	HEX. WRENCH 4	1	
		005	615-37224-20	CUTTER COVER	2	