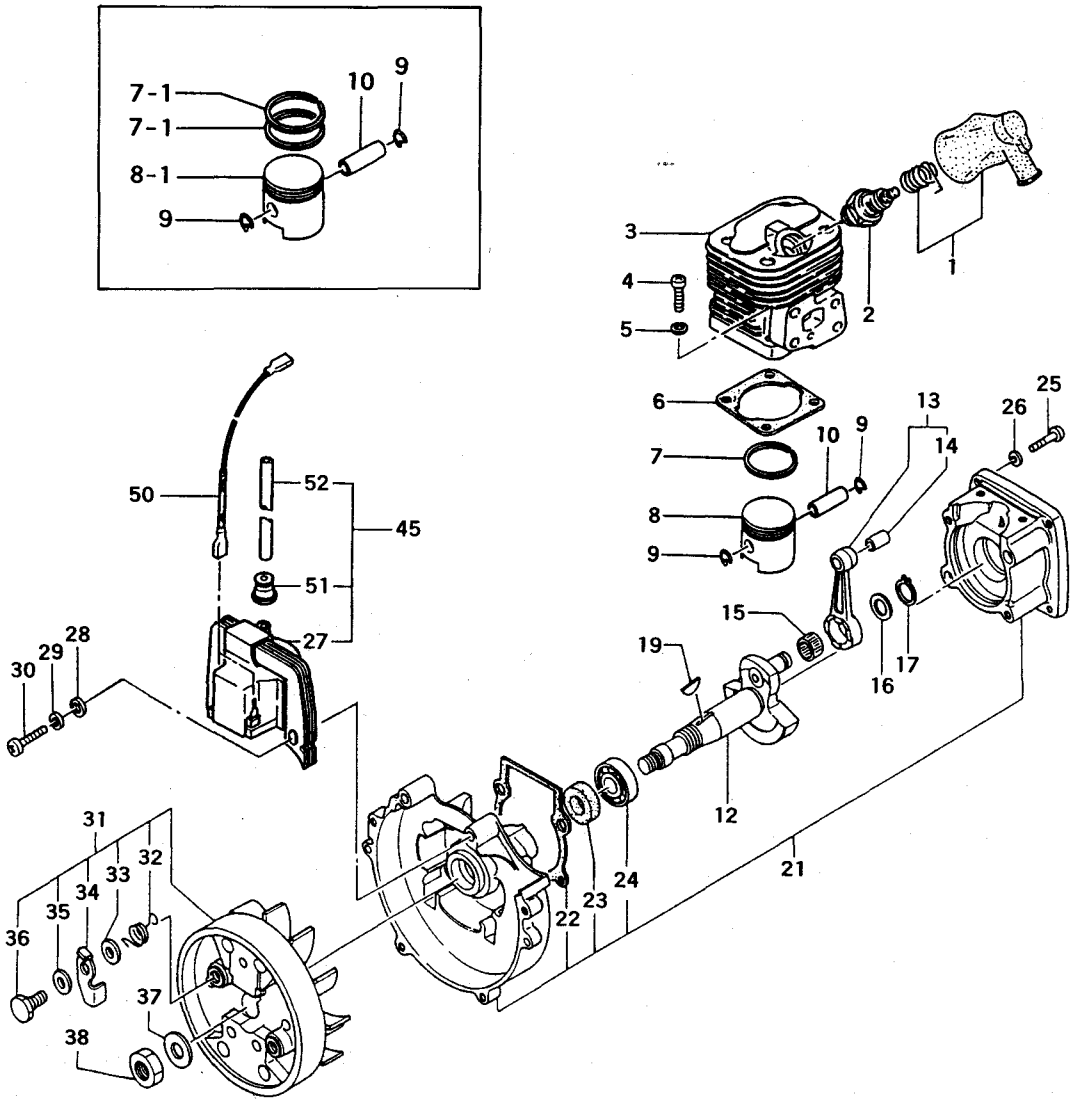
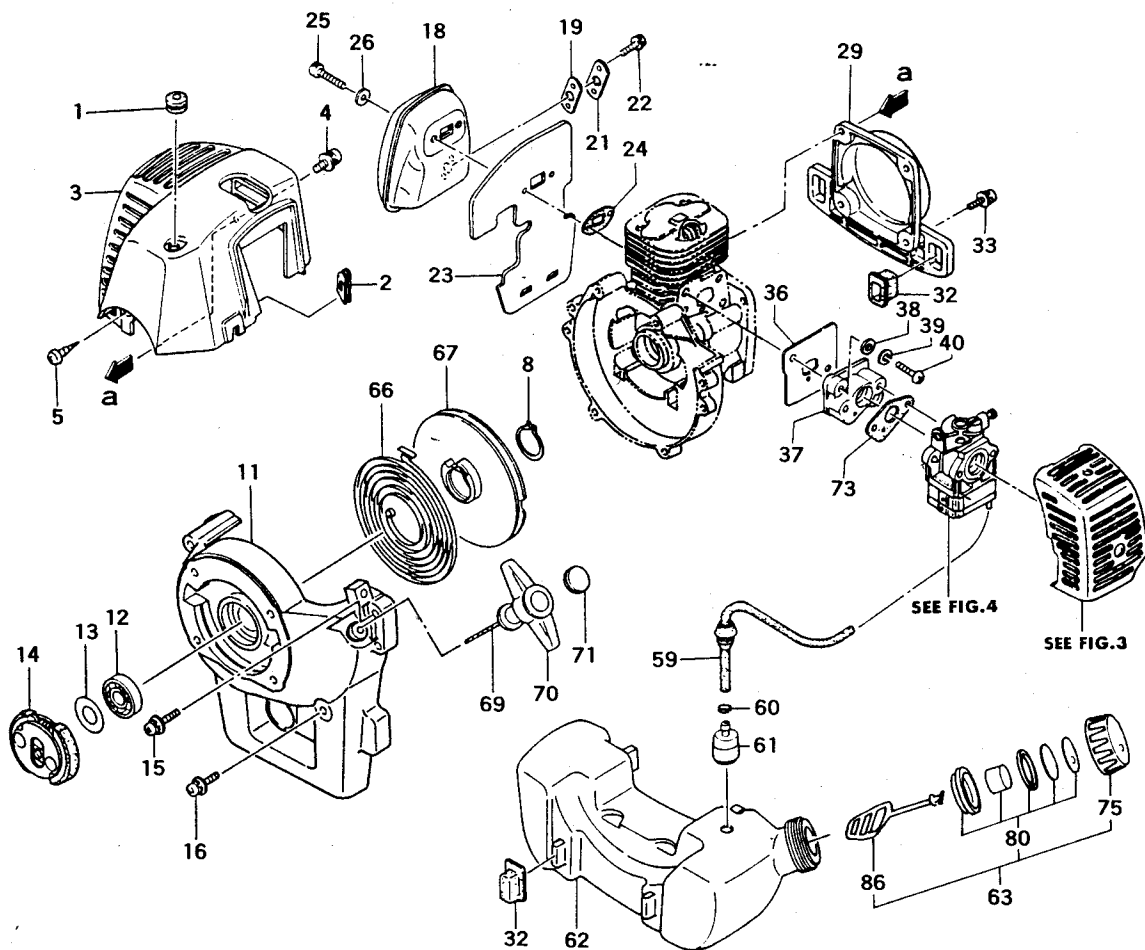


FIG. 1 ENGINE



| REF. NBR | PART NBR | QTY | SERIAL NBR | REMARKS |
|---------------------|---------------|-----|------------|------------|
| FIG.1 ENGINE | | | | |
| 1-001 | 157-0097A-90 | 1 | | |
| 1-002 | 018-11660-21 | 1 | | |
| 1-003 | 002-0631P-20 | 1 | | |
| 1-004 | 990-11050-181 | 4 | | |
| 1-005 | 992-10050-012 | 4 | | |
| 1-006 | 017-0631A-20 | 1 | | |
| 1-007, 1 | 041-00601-21 | 2 | | -M055600 |
| 1-007 | 041-00601-21 | 1 | N | M055601--- |
| 1-008, 1 | 031-0636J-20 | 1 | I | -M055600 |
| 1-008 | 031-06550-20 | 1 | | M055601- |
| 1-009 | 039-01620-20 | 2 | | |
| 1-010 | 037-00601-20 | 1 | | |
| 1-012 | 046-06550-80 | 1 | | |
| 1-013 | 061-0631A-80 | 1 | | |
| 1-014 | 999-62081-225 | 1 | | |
| 1-015 | 999-62101-432 | 1 | | |
| 1-016 | 801-10205-20 | 1 | | |
| 1-017 | 993-50010-002 | 1 | | |
| 1-019 | 068-10100-20 | 1 | | |
| 1-021 | 072-0635A-92 | 1 | | |
| 1-022 | 090-06097-20 | 1 | | |
| 1-023 | 999-66152-500 | 1 | | |
| 1-024 | 999-61600-200 | 1 | | |
| 1-025 | 990-11050-251 | 4 | | |
| 1-026 | 992-10050-012 | 4 | | |
| 1-027 | 167-20521-80 | 1 | | |
| 1-028 | 992-00050-011 | 2 | | |
| 1-029 | 992-10050-012 | 2 | | |
| 1-030 | 990-11050-201 | 2 | | |
| 1-031 | 155-20514-90 | 1 | | |
| 1-032 | 790-0633M-21 | 2 | | |
| 1-033 | 786-00601-20 | 2 | | |
| 1-034 | 788-0633M-21 | 2 | | |
| 1-035 | 822-00601-20 | 2 | | |
| 1-036 | 793-0636T-20 | 2 | | |
| 1-037 | 992-00120-011 | 1 | | |
| 1-038 | 991-11120-011 | 1 | | |
| 1-045 | 167-20521-90 | 1 | | |
| 1-050 | 178-01280-80 | 2 | | |
| 1-051 | 560-20517-20 | 1 | | |
| 1-052 | 264-20516-20 | 1 | | |

FIG.2 ENGINE COMPONENTS



REF. NBR

PART
NBR

QTY

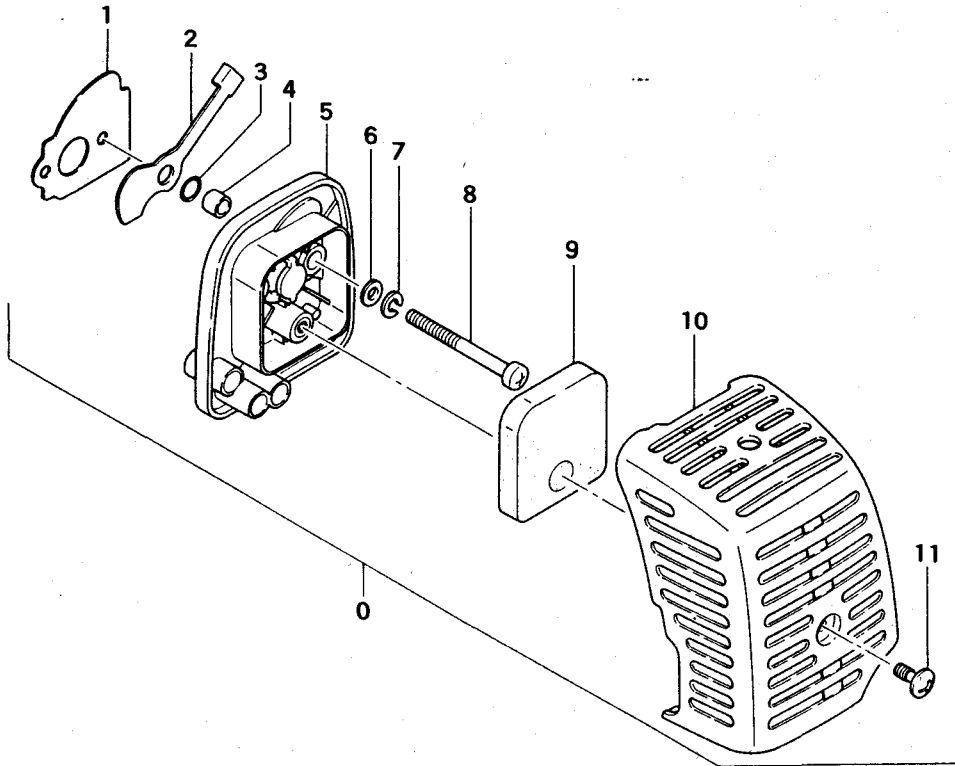
SERIAL
NBR

REMARKS

FIG.2 ENGINE COMPONENTS

| | | | | |
|-------|---------------|---|--|--|
| 2-001 | 202-01003-20 | 1 | | |
| 2-002 | 203-0631A-20 | 1 | | |
| 2-003 | 738-0631A-20 | 1 | | |
| 2-004 | 994-15040-222 | 2 | | |
| 2-005 | 990-72045-164 | 2 | | |
| 2-008 | 993-50017-002 | 1 | | |
| 2-011 | 112-0635A-81 | 1 | | |
| 2-012 | 999-61600-001 | 1 | | |
| 2-013 | 173-35500-20 | V | | |
| 2-013 | 174-35500-20 | V | | |
| 2-013 | 175-35500-20 | V | | |
| 2-014 | 277-0631Q-90 | 1 | | |
| 2-015 | 994-16050-202 | 1 | | |
| 2-016 | 994-16050-422 | 3 | | |
| 2-018 | 706-0631A-80 | 1 | | |
| 2-019 | 751-04200-20 | 1 | | |
| 2-021 | 734-0631A-20 | 1 | | |
| 2-022 | 994-14040-081 | 2 | | |
| 2-023 | 133-0631A-20 | 1 | | |
| 2-024 | 737-06100-21 | 1 | | |
| 2-025 | 990-51050-503 | 2 | | |
| 2-026 | 992-01050-011 | 2 | | |
| 2-029 | 218-0635A-20 | 1 | | |
| 2-032 | 655-00940-20 | 4 | | |
| 2-033 | 994-15040-222 | 2 | | |
| 2-036 | 403-0631A-20 | 1 | | |
| 2-037 | 404-06500-80 | 1 | | |
| 2-038 | 992-00050-011 | 2 | | |
| 2-039 | 992-10050-012 | 2 | | |
| 2-040 | 990-11050-241 | 2 | | |
| 2-059 | 223-0162V-90 | 1 | | |
| 2-060 | 680-00731-20 | 1 | | |
| 2-061 | 675-04042-80 | 1 | | |
| 2-062 | 591-0635A-20 | 1 | | |
| 2-063 | 595-0165C-91 | 1 | | |
| 2-066 | 779-0635A-21 | 1 | | |
| 2-067 | 774-0635A-21 | 1 | | |
| 2-069 | 783-0638A-20 | 1 | | |
| 2-070 | 785-10207-20 | 1 | | |
| 2-071 | 833-10207-20 | 1 | | |
| 2-073 | 402-0602K-20 | 1 | | |
| 2-075 | 628-0062A-21 | 1 | | |
| 2-080 | 629-0062A-90 | 1 | | |
| 2-086 | 626-32550-20 | 1 | | |

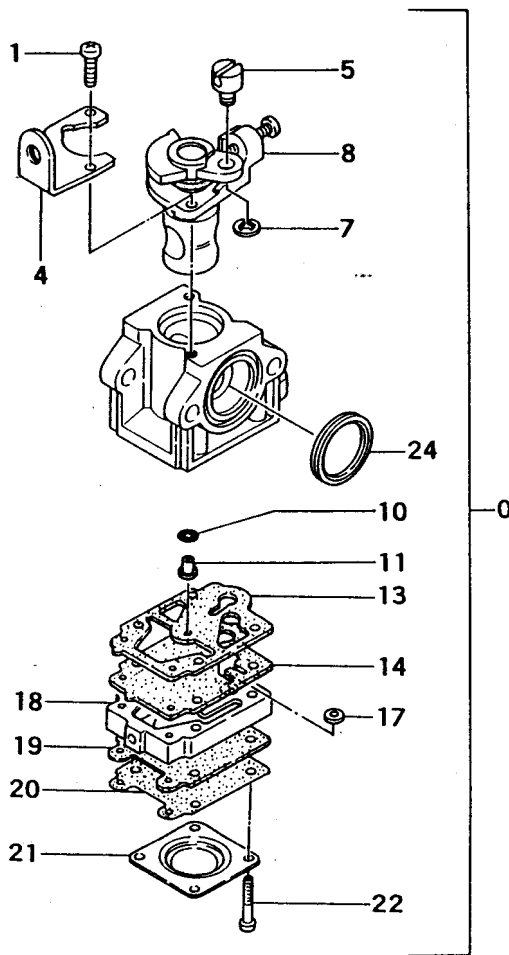
FIG.3 AIR CLEANER



| REF. NBR | PART NBR | QTY | SERIAL NBR | REMARKS |
|--------------------------|---------------|-----|------------|---------|
| FIG.3 AIR CLEANER | | | | |
| 3-000 | 410-06550-90 | 1 | | |
| 3-001 | 436-0162V-20 | 1 | | |
| 3-002 | 528-0635E-20 | 1 | | |
| 3-003 | 999-67008-012 | 1 | | |
| 3-004 | 470-0602N-20 | 1 | | |
| 3-005 | 423-0635E-80 | 1 | | |
| 3-006 | 992-00050-011 | 2 | | |
| 3-007 | 992-10050-012 | 2 | | |
| 3-008 | 990-11050-601 | 2 | | |
| 3-009 | 446-0635E-20 | 1 | | |
| 3-010 | 452-0635E-21 | 1 | | |
| 3-011 | 380-0631A-20 | 1 | | |

TBC-2200 978-47434-810

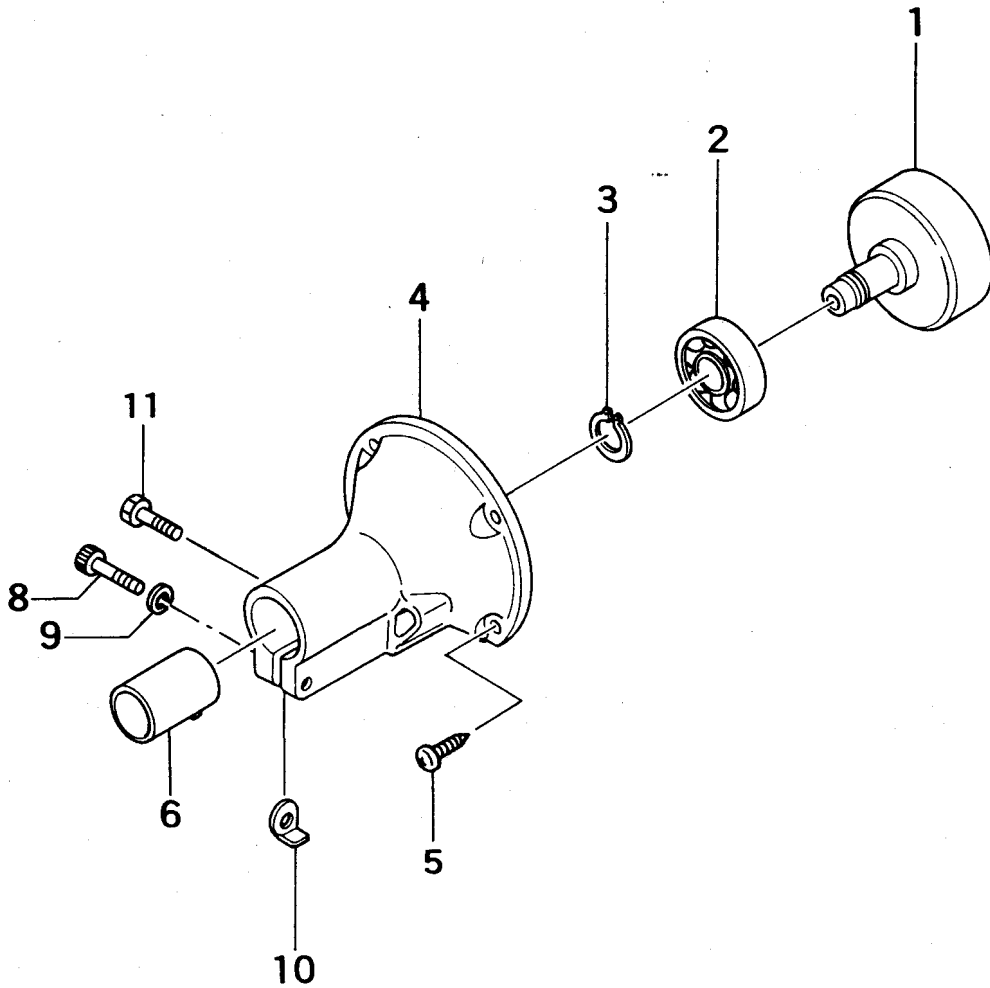
FIG.4 CARBURETOR



| REF. NBR | PART NBR | QTY | SERIAL NBR | REMARKS |
|-------------------------|--------------|-----|------------|---------|
| FIG.4 CARBURETOR | | | | |
| 4-000 | 455-25152-90 | 1 | | |
| 4-001 | 514-25100-20 | 2 | | |
| 4-004 | 544-25120-20 | 1 | | |
| 4-005 | 539-25120-20 | 1 | | |
| 4-007 | 489-25100-20 | 1 | | |
| 4-008 | 488-25129-80 | 1 | | |
| 4-010 | 550-25100-20 | 1 | | |
| 4-011 | 599-2000W-44 | 1 | I -M055800 | |
| 4-011 | 599-2000W-43 | 1 | M055601- | |
| 4-013 | 577-25100-20 | 1 | | |
| 4-014 | 576-25100-20 | 1 | | |
| 4-017 | 578-25007-20 | 1 | | |
| 4-018 | 575-25152-80 | 1 | | |
| 4-019 | 475-25038-20 | 1 | | |
| 4-020 | 474-25001-80 | 1 | | |
| 4-021 | 476-25004-20 | 1 | | |
| 4-022 | 548-25101-20 | 4 | | |
| 4-024 | 431-0634C-20 | 1 | | |

TBC-2200 978-47434-810

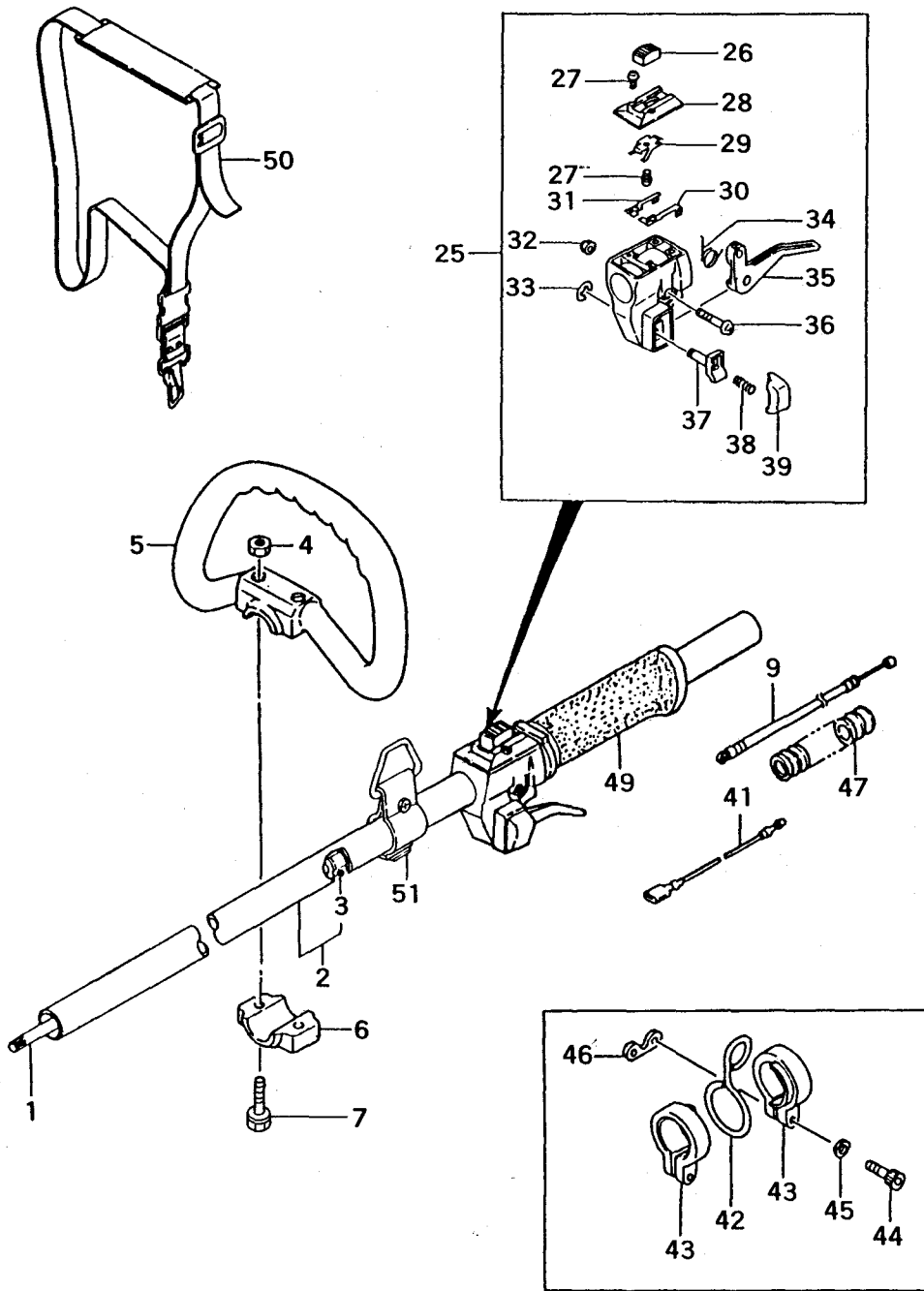
FIG.5 CLUTCH CASE



| REF. NBR | PART NBR | QTY | SERIAL NBR | REMARKS |
|--------------------------|---------------|-----|------------|---------|
| FIG.5 CLUTCH CASE | | | | |
| 5-001 | 289-06460-80 | 1 | | |
| 5-002 | 999-61620-101 | 1 | | |
| 5-003 | 993-50012-002 | 1 | | |
| 5-004 | 331-0636J-21 | 1 | | |
| 5-005 | 990-73050-184 | 4 | | |
| 5-006 | 599-0636J-20 | 1 | | |
| 5-008 | 990-51050-253 | 1 | | |
| 5-009 | 992-10050-062 | 1 | | |
| 5-010 | 249-0630G-20 | 1 | | |
| 5-011 | 990-51050-153 | 1 | | |

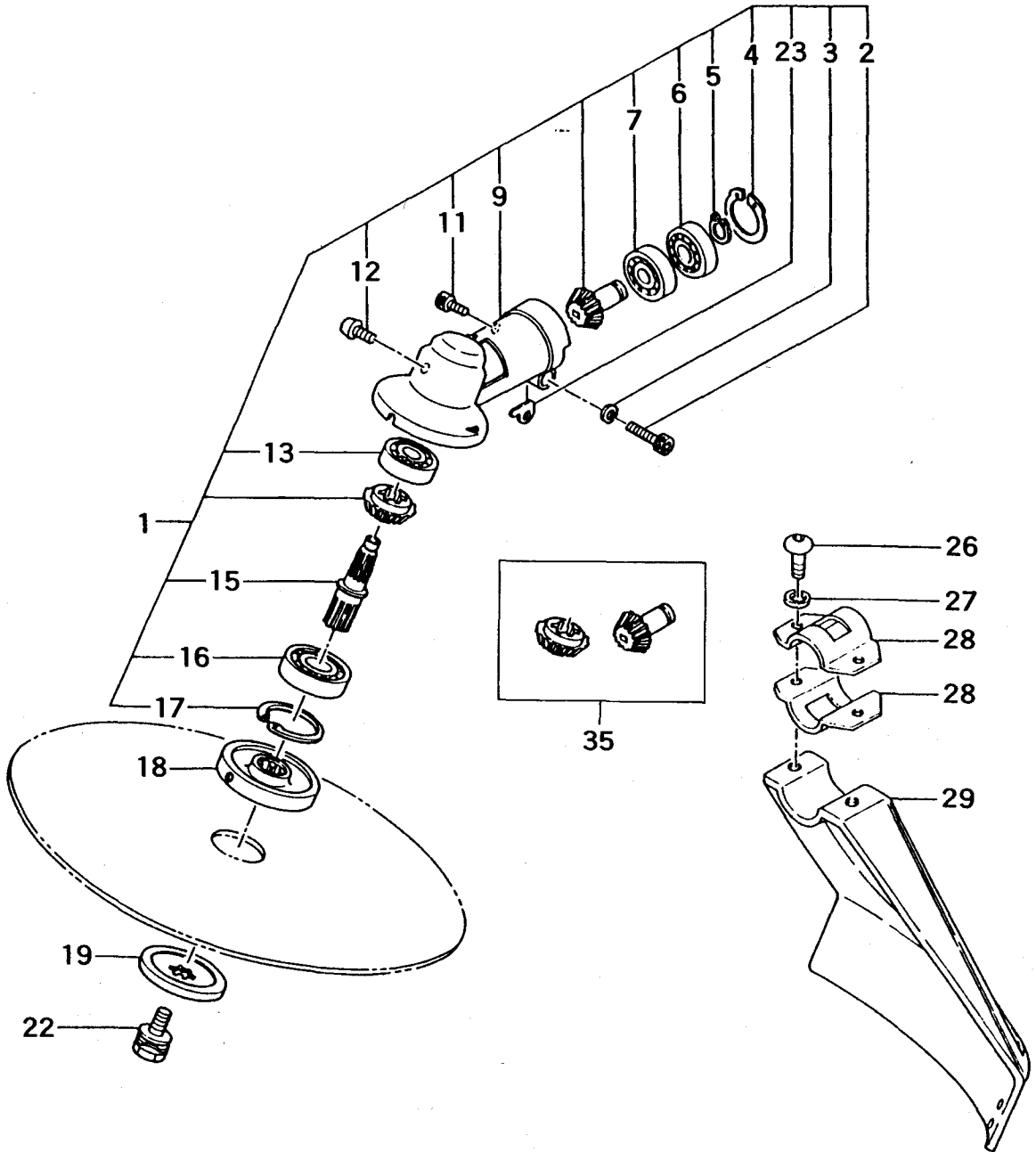
TBC-2200 978-47434-810

FIG.6 HANDLE



| REF. NBR | PART NBR | QTY | SERIAL NBR | REMARKS |
|---------------------|---------------|-----|------------|----------|
| FIG.6 HANDLE | | | | |
| 6-001 | 343-37618-20 | 1 | | |
| 6-002 | 341-37300-80 | 1 | | |
| 6-003 | 347-37300-90 | 5 | | |
| 6-004 | 991-01060-041 | 2 | | |
| 6-005 | 500-37300-20 | 1 | | |
| 6-006 | 506-37300-20 | 1 | | |
| 6-007 | 994-23060-432 | 2 | | |
| 6-009 | 885-0631A-80 | 1 | | |
| 6-025 | 870-37300-90 | 1 | | |
| 6-026 | 162-37101-20 | 1 | | |
| 6-027 | 993-42030-081 | 3 | | |
| 6-028 | 259-37101-20 | 1 | | |
| 6-029 | 262-37101-20 | 1 | | |
| 6-030 | 177-37101-20 | 1 | | |
| 6-031 | 176-37101-20 | 1 | | |
| 6-032 | 991-86080-000 | 1 | | |
| 6-033 | 993-55060-001 | 1 | | |
| 6-034 | 832-37101-20 | 1 | | |
| 6-035 | 880-37101-20 | 1 | | |
| 6-036 | 994-31050-251 | 1 | | |
| 6-037 | 853-37101-20 | 1 | | |
| 6-038 | 958-37101-20 | 1 | | |
| 6-039 | 956-37101-20 | 1 | | |
| 6-041 | 178-37300-80 | 2 | | |
| 6-042 | 335-37307-20 | 1 | D | M055601- |
| 6-043 | 334-37304-21 | 2 | D | M055601- |
| 6-044 | 990-51050-303 | 2 | D | M055601- |
| 6-045 | 992-01050-061 | 2 | D | M055601- |
| 6-046 | 315-37304-20 | 1 | D | M055601- |
| 6-047 | 164-13014-01 | 1 | | |
| 6-049 | 504-37300-20 | 1 | | |
| 6-050 | 746-33407-90 | 1 | | |
| 6-051 | 335-37302-90 | 1 | N | M055601- |

FIG.7 GEAR CASE



| REF. NBR | PART NBR | QTY | SERIAL NBR | REMARKS |
|------------------------|---------------|-----|------------|---------|
| FIG.7 GEAR CASE | | | | |
| 7-001 | 300-37307-91 | 1 | | |
| 7-002 | 990-51050-253 | 1 | | |
| 7-003 | 992-10050-062 | 1 | | |
| 7-004 | 993-53022-002 | 1 | | |
| 7-005 | 993-50010-002 | 1 | | |
| 7-006 | 999-61690-001 | 1 | | |
| 7-007 | 999-61690-000 | 1 | | |
| 7-009 | 300-37307-20 | 1 | | |
| 7-011 | 990-51050-103 | 1 | | |
| 7-012 | 990-14080-104 | 1 | | |
| 7-013 | 999-61626-000 | 1 | | |
| 7-015 | 304-37307-20 | 1 | | |
| 7-016 | 999-61600-104 | 1 | | |
| 7-017 | 993-51028-002 | 1 | | |
| 7-018 | 310-37623-20 | 1 | | |
| 7-019 | 311-37300-20 | 1 | | |
| 7-022 | 312-37623-20 | 1 | | |
| 7-023 | 324-37350-20 | 1 | | |
| 7-026 | 990-53060-153 | 2 | | |
| 7-027 | 992-10060-062 | 2 | | |
| 7-028 | 442-33905-20 | 2 | | |
| 7-029 | 441-33905-80 | 1 | | |
| 7-035 | 301-37300-01 | 1 | | |