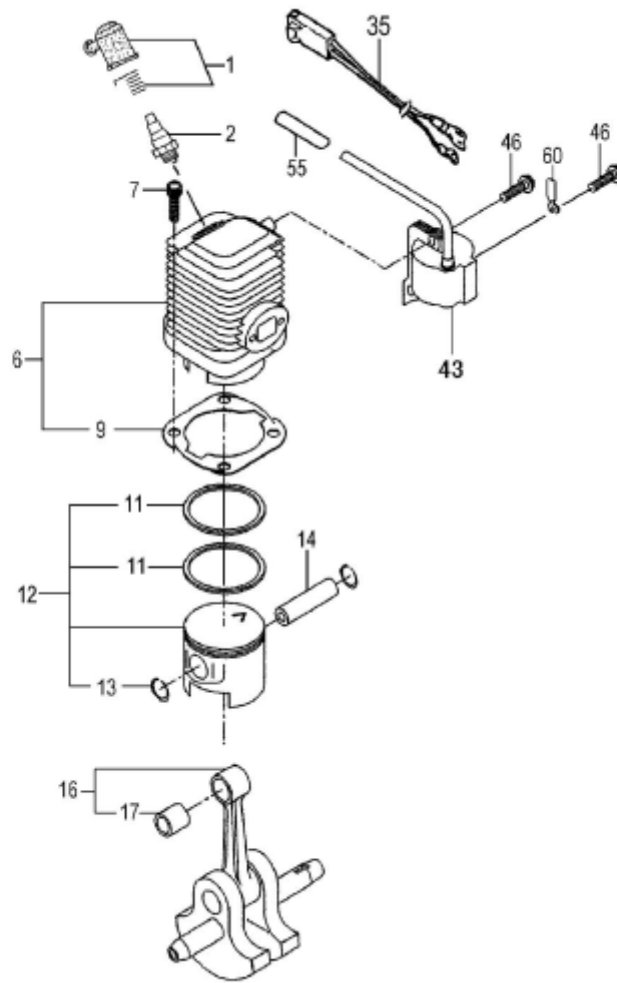


# Tanaka TBC 2501 SF

B4601



# Brush Cutters

TBC-2501SF

CYLINDER

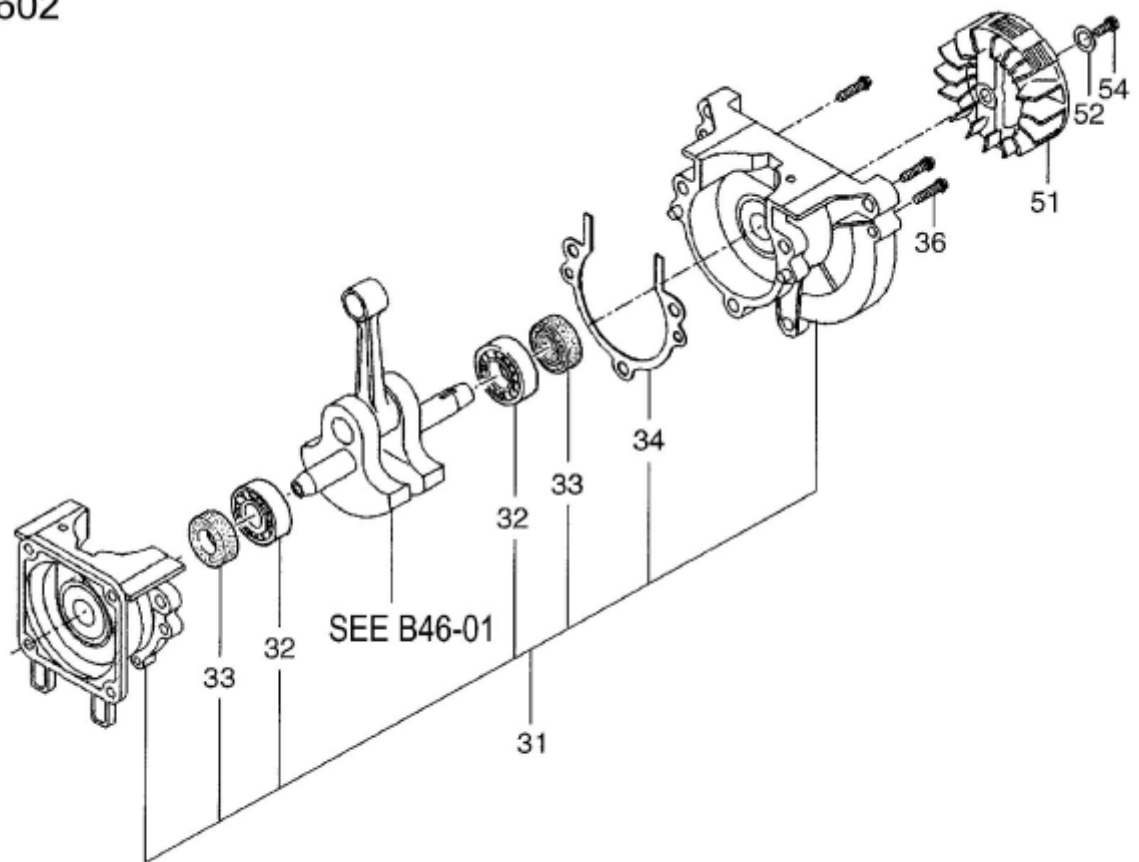
PISTON

CRANK SHAFT

B4601

REF.No.	PARTS No.	DESCRIPTION	Q'ty	SERIAL No.
001	157-01570-90	SPARK PLUG CAP ASS'Y	1	
002	018-00546-21	SPARK PLUG BMR6A	1	
006	001-07060-90	CYLINDER SET	1	
007	994-64050-204	SCREW 5X20/WS	2	
009	017-07060-20	CYLINDER GASKET	1	
011	041-07060-20	PISTON RING	2	
012	030-07065-90	PISTON SET	1	
013	039-07060-20	PISTON PIN CIRCLIP	2	
014	037-07065-20	PISTON PIN	1	
016	046-07060-90	CRANK SHAFT ASS'Y	1	
017	089-07060-80	NEEDLE BEARING	1	
035	191-07060-90	LEAD WIRE ASS'Y	1	
043	167-07060-80	IGNITION COIL COMP.	1	
046	994-16040-201	PLUS SCREW 4X20 WS	2	
055	250-07060-20	INSULATOR TUBE	1	
060	198-07060-20	CORD CLAMP	1	

B4602



Brush Cutters

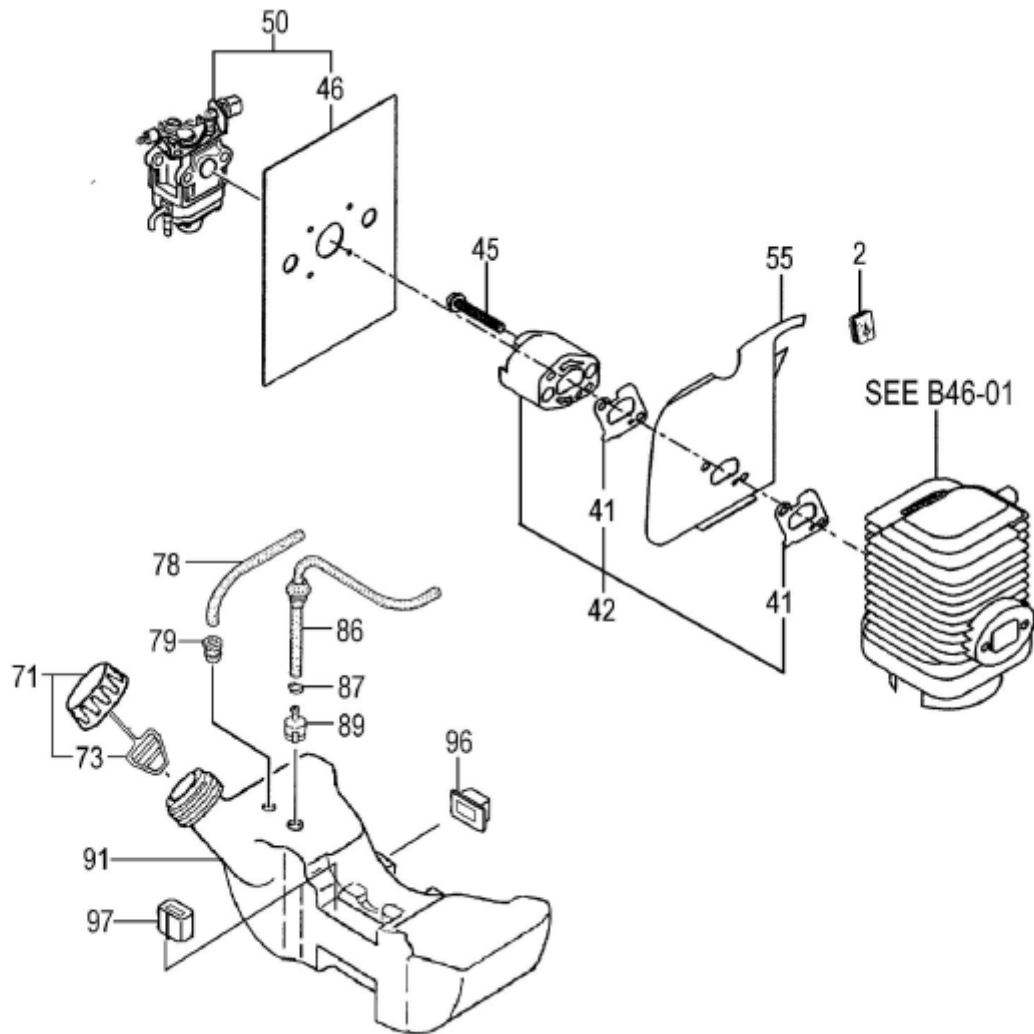
TBC-2501SF

CRANK CASE

B4602

REF.No.	PARTS No.	DESCRIPTION	Q'ty	SERIAL No.
031	072-07060-90	CRANK CASE ASS'Y	1	
032	999-61600-100	BALL BEARING #6001, 2	2	
033	999-66122-272	OIL SEAL ISCD12224.5	2	
034	090-07060-20	CRANK CASE GASKET	1	
036	994-14050-251	SCREW 5X25/S	3	
051	155-07060-80	MAGNETO ROTOR COM	1	
052	182-07060-20	SPECIAL WASHER M6	1	
054	994-21060-161	BOLT 6X16S	1	

B4603



# Brush Cutters

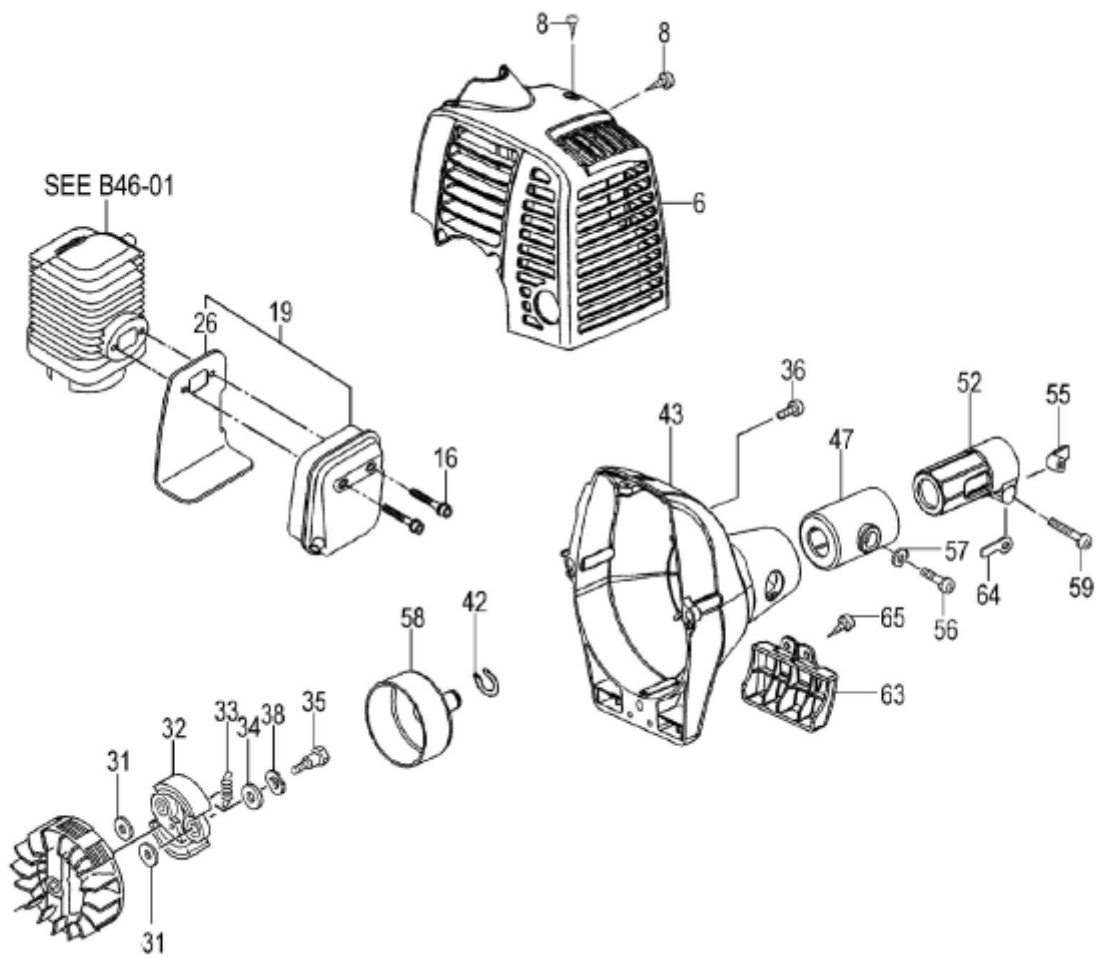
TBC-2501SF

ENGINE-1

B4603

REF.No.	PARTS No.	DESCRIPTION	Q'ty	SERIAL No.
002	203-07060-20	GROMMET	1	
041	403-07060-20	INTAKE MANIFOLD GAS	2	
042	404-07060-90	CARB.INSULATOR SET,	1	
045	994-16050-251	SCREW 5X25/WS	2	
046	402-07060-20	CARBURETOR GASKET	1	
050	455-07065-90	CARBURETOR SET WY.	1	
055	132-07060-20	FLASH PAN	1	
071	595-01690-90	TANK CAP ASS'Y (BLAC	1	
073	626-32550-20	TANK CAP CHAIN	1	
078	700-03005-07	FUEL PIPE 3X5X70	1	
079	534-32710-20	RETURN GROMMET	1	
086	223-0162V-90	FUEL PIPE ASS'Y	1	
087	680-00731-20	CLIP, 6.3 DIA.	1	
089	675-04042-80	PUMP FILTER BODY CO	1	
091	591-07060-80	FUEL TANK COMP.	1	
096	655-00940-20	FUEL TANK CUSHION R	2	
097	601-07060-20	TANK HOLDING RUBBE	2	

B4604



# Brush Cutters

TBC-2501SF

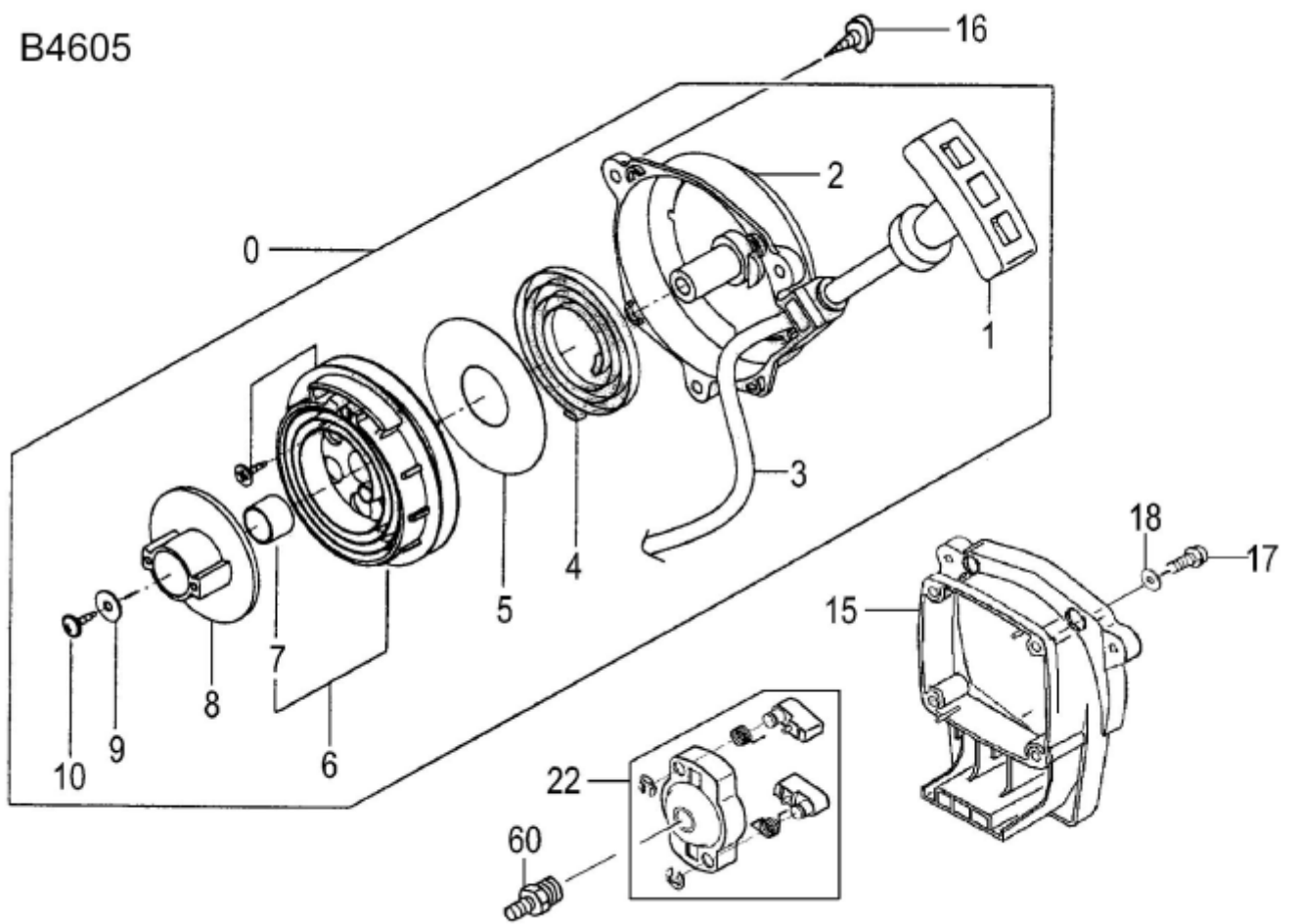
ENGINE-2

B4604

REF.No.	PARTS No.	DESCRIPTION	Q'ty	SERIAL No.
006	738-07060-20	MUFFLER PROTECTOR	1	
008	990-73045-104	TAPPING SCREW 4.5X1	3	
016	994-60050-454	SCREW 5X45W	2	
019	704-07060-90	MUFFLER SET, SPARE	1	
026	133-07060-20	HEAT SHIELD	1	
031	359-02103-20	CLUTCH WASHER B	2	
032	290-01620-80	CLUTCH SHOE COMP.	2	
033	342-0630B-20	CLUTCH SPRING	1	
034	348-0602R-20	CLUTCH PLATE A	2	
035	357-0075T-20	STEP BOLT	2	
036	994-16050-162	SCREW 5X16/WS	3	
038	992-05080-030	BENT WASHER 8	2	
042	993-50012-002	STOP RING C-12, OUTE	1	
043	112-07060-81	FAN CASE COMP.	1	
047	599-00980-21	CUSHION RUBBER	1	
052	360-00990-20	PIPE HOLDER, 24 DIA.	1	
055	361-00990-20	METAL FITTING	1	
056	990-51050-163	HEX. HOLE BOLT 5X16	1	
057	992-01050-061	WASHER 5	1	
058	289-07060-80	CLUTCH SHAFT COMP.	1	
059	994-61050-254	HEX. HOLE BOLT 5X25/3	1	
063	941-07060-20	STAND, BLACK	1	
064	324-37350-20	GEAR CASE WASHER	1	
065	990-73045-124	TAPPING SCREW 4.5X1	2	



B4605



# Brush Cutters

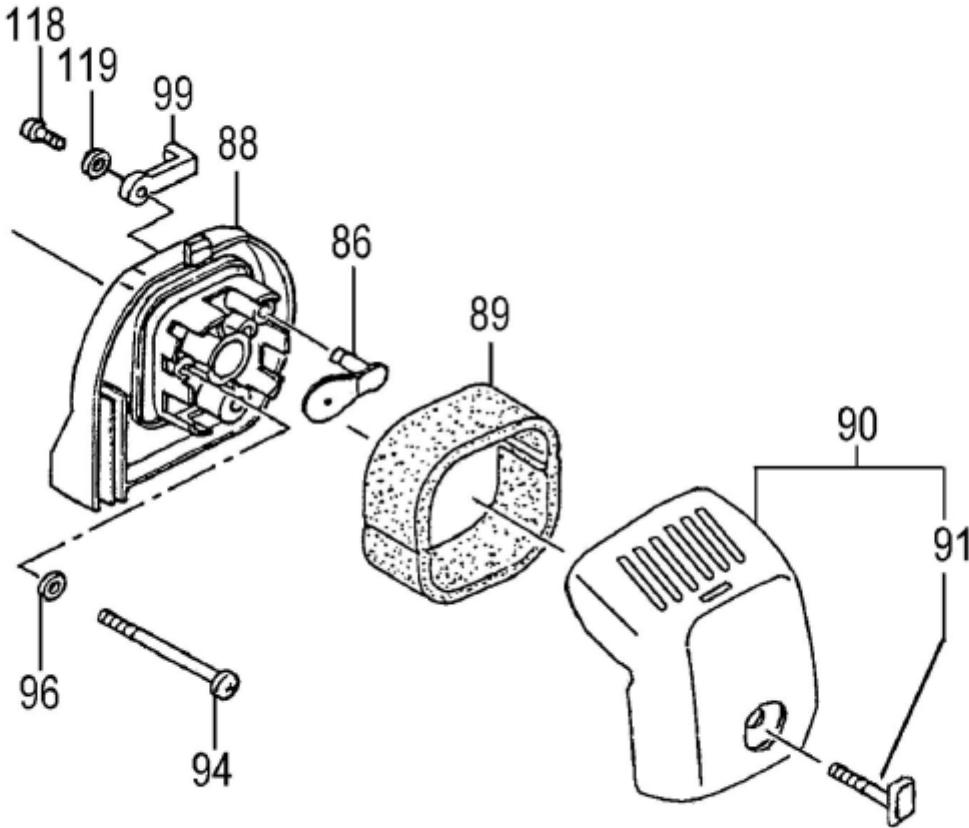
TBC-2501SF

RECOIL STARTER(S-START)

B4605

REF.No.	PARTS No.	DESCRIPTION	Q'ty	SERIAL No.
000	762-07075-90	RECOIL STARTER BODY	1	
001	785-07085-20	STARTER HANDLE	1	
002	772-07085-80	RECOIL STARTER BODY	1	
003	783-07085-20	RECOIL ROPE	1	
004	780-07085-20	RECOIL SPRING	1	
005	786-07085-20	SPRING PLATE	1	
006	778-07075-90	SPRING CASE ASS'Y	1	
007	328-07085-20	STARTER BUSH	1	
008	774-07075-20	STARTER PULLEY	1	
009	182-07085-20	SPECIAL WASHER 5.2X	1	
010	990-72050-144	TAPPING SCREW 5X14	1	
015	806-07070-20	STARTER BASE	1	
016	990-73045-144	TAPPING SCREW 4.5X1	3	
017	992-00050-061	SMALL WASHER 5	4	
018	994-61050-204	HEX. HOLE BOLT 5X20/3	4	
022	798-07085-90	STARTER PULLEY ASS'	1	
060	314-07070-20	SPECIAL BOLT	1	

B4606



# Brush Cutters

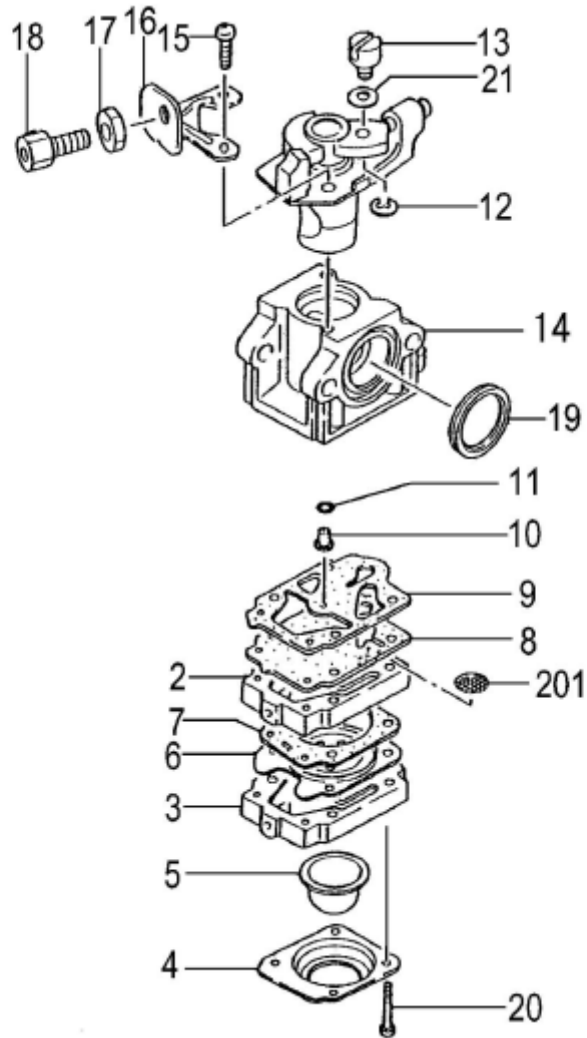
TBC-2501SF

AIR CLEANER

B4606

REF.No.	PARTS No.	DESCRIPTION	Q'ty	SERIAL No.
086	528-0652N-22	CHOKE PLATE 2.0	1	
088	423-0652N-80	CLEANER BODY COMP.	1	
089	446-0652N-20	CLEANER SPONGE	1	
090	452-07060-90	CLEANER COVER ASS'Y	1	
091	450-07024-80	COVER FIXING BOLT	1	
094	994-14050-571	SCREW 5X57/S	2	
096	992-00050-011	SMALL WASHER 5	2	
099	523-0652N-20	CHOKE CONTROL LEVER	1	
118	990-75040-154	TAPPING SCREW 4X15	1	
119	992-01040-011	WASHER 4	1	

B4607



# Brush Cutters

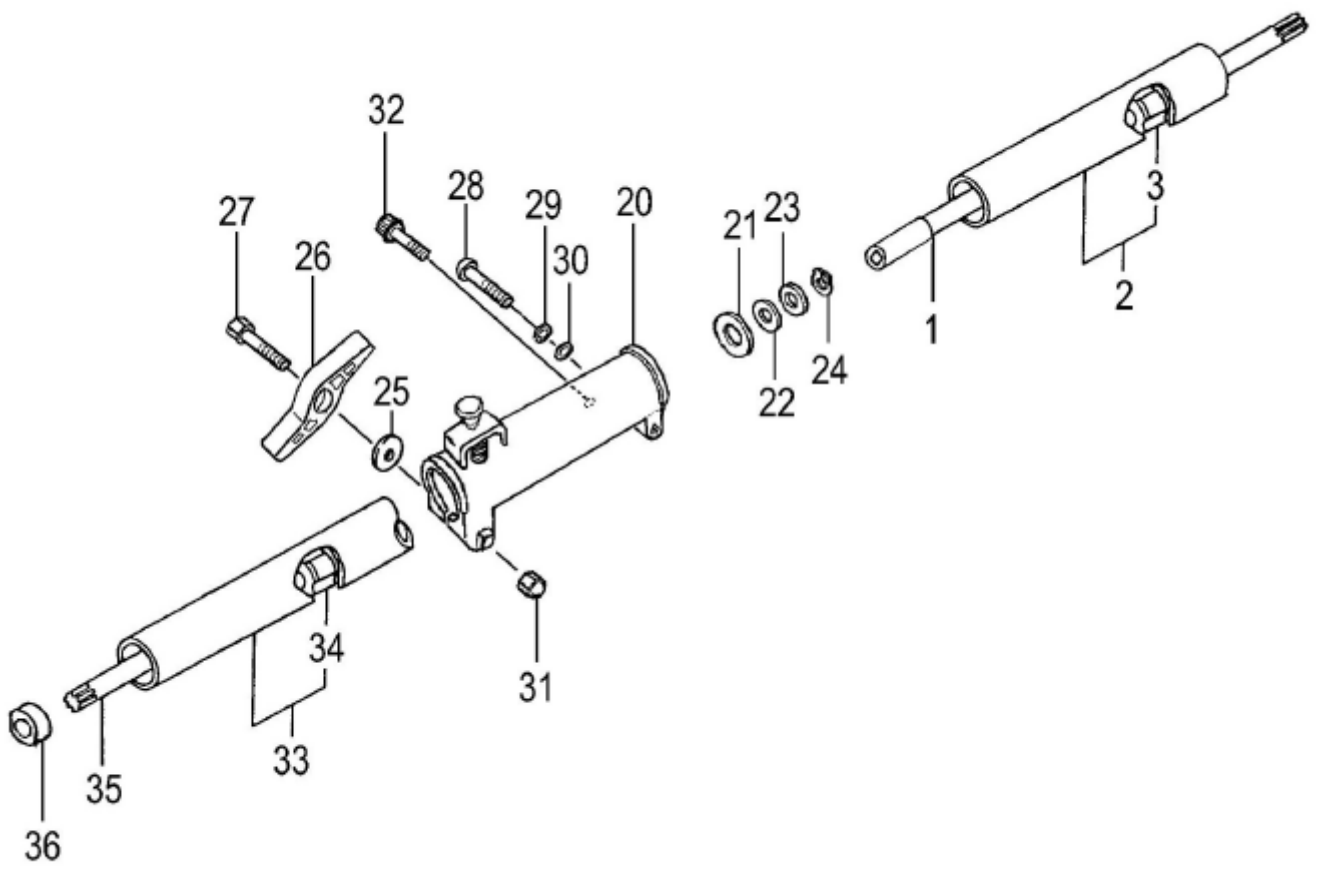
TBC-2501SF

CARBURETOR

B4607

REF.No.	PARTS No.	DESCRIPTION	Q'ty	SERIAL No.
002	575-25153-80	PUMP BODY COMP	1	
003	442-25151-80	PRIMING PUMP COMP.	1	
004	476-25151-20	DIAPHRAGM COVER	1	
005	447-25108-20	PRIMING BODY	1	
006	474-25241-80	METERING DIAPHRAGM	1	
007	475-25153-20	DIAPHRAGM GASKET	1	
008	576-25100-20	PUMP DIAPHRAGM	1	
009	577-25100-20	PUMP GASKET	1	
010	599-2000W-43	MAIN JET #43	1	
011	550-25100-20	O-RING	1	
012	489-25100-20	STOP RING	1	
013	539-25120-20	SWIVEL	1	
014	488-25170-80	THROTTLE VALVE COM	1	
015	514-25100-20	THROTTLE SET SCREW	2	
016	544-25164-20	CABLE ADJUSTER STA	1	
017	613-25100-20	CABLE ADJUST NUT	1	
018	614-25137-20	CABLE ADJUSTER	1	
019	431-0634C-20	CLEANER PACKING	1	
020	548-25151-20	SET SCREW	4	
021	549-25165-20	THRUST WASHER	1	
201	578-25007-20	INLET SCREEN	1	

B4608



# Brush Cutters

TBC-2501SF

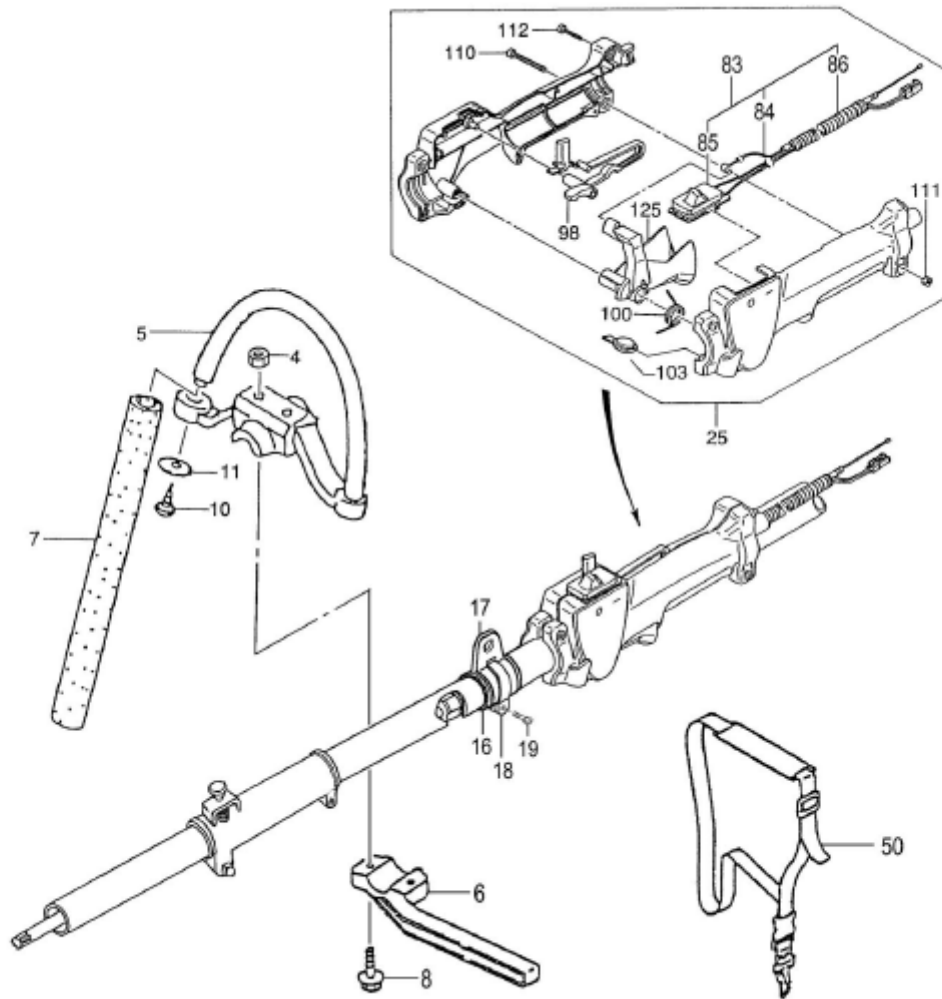
OPERATION PIPE

B4608

REF.No.	PARTS No.	DESCRIPTION	Q'ty	SERIAL No.
001	035-38466-80	DRIVE SHAFT A 766L	1	
002	341-38466-80	DRIVE SHAFT PIPE 742L	1	
003	347-38360-90	BUSH ASS'Y	3	
020	280-38466-90	JOINT CASE ASSY	1	
021	360-33315-20	SPACER	1	
022	359-02103-20	CLUTCH WASHER B	1	
023	358-10112-20	CLUTCH WASHER A	1	
024	993-50010-002	STOP RING C-10, OUTE	1	
025	871-32600-20	SPECIAL WASHER B	1	
026	512-3338P-20	HANDLE KNOB	1	
027	990-21060-504	HEX. BOLT 6X50	1	
028	990-53060-353	HEX. HOLE BOLT 6X35	1	
029	992-10060-062	S.WASHER 6	1	
030	992-00060-061	SMALL WASHER 5	1	
031	991-42060-012	CAP NUT 6	1	
032	994-61050-124	HEX. HOLE BOLT 5X12S	1	
033	341-38466-80	DRIVE SHAFT PIPE 742L	1	
034	347-38360-90	BUSH ASS'Y	3	
035	036-38190-20	DRIVE SHAFT B 783L	1	
036	347-38466-20	BUSH	1	



B4609



# Brush Cutters

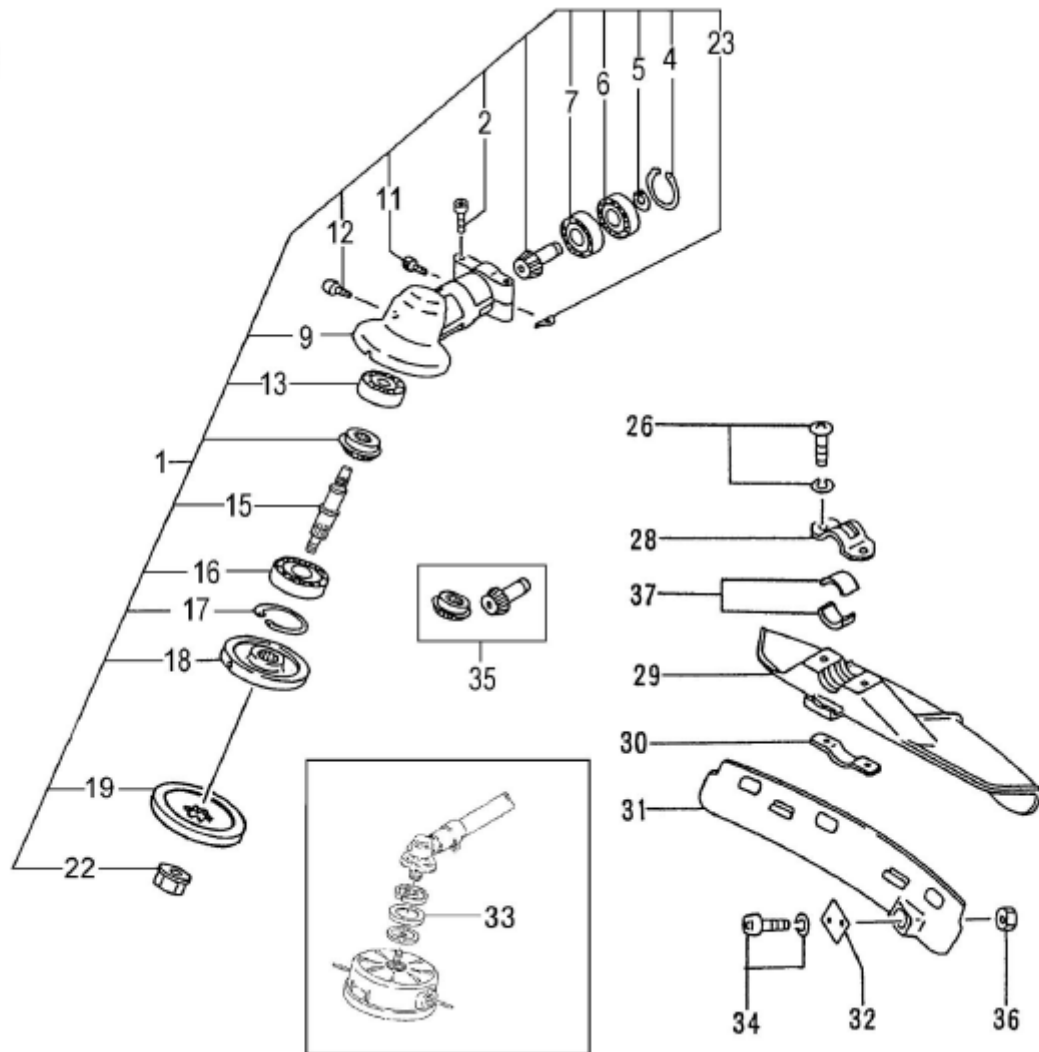
TBC-2501SF

## THROTTLE LEVER

B4609

REF.No.	PARTS No.	DESCRIPTION	Q'ty	SERIAL No.
004	991-01060-041	HEX. NUT 6	2	
005	500-37286-20	LOOP HANDLE, 24 DIA.,	1	
006	520-37277-20	BARRIER, 24 DIA.,BLAC	1	
007	503-3738E-20	HANDLE GRIP	1	
008	994-23060-432	BOLT 6X43/P	2	
010	993-11052-012	TAPPING SCREW 5X20	1	
011	368-32350-20	BRAKE SHAFT WASHER	1	
016	334-38360-20	HANGER COLLAR	1	
017	335-38360-80	HANGER	1	
018	337-38360-80	HANGER FIXING BRACK	1	
019	994-16050-252	SCREW 5X25WS	1	
025	870-38402-90	THROTTLE LEVER ASS'	1	
050	746-3738F-90	SHOULDER BELT ASS'Y	1	
083	885-38400-80	THROTTLE WIRE COMP	1	
084	887-38400-80	THROTTLE WIRE	1	
085	156-38400-80	STOP SWITCH COMP.	1	
086	164-07017-50	PROTECTION TUBE 7X1	1	
098	253-38400-20	SAFETY LEVER	1	
100	832-38400-20	RETURN SPRING	1	
103	322-38400-20	BLIND PLUG	1	
110	994-31050-203	SCREW 5X20	2	
111	991-01050-043	CONTAL NUT 5	2	
112	993-46040-202	SCREW 4X20, BLACK	4	
125	880-38400-20	THROTTLE LEVER	1	

B4610



# Brush Cutters

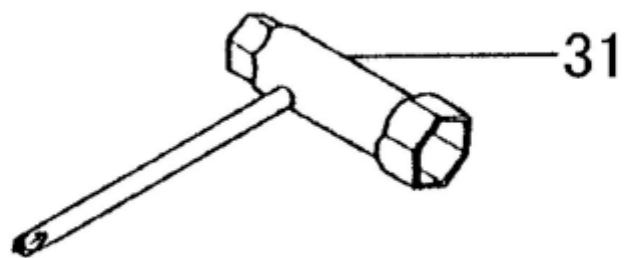
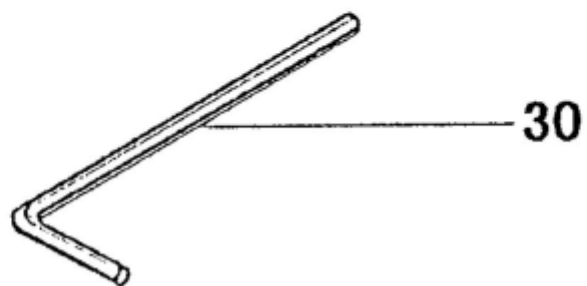
TBC-2501SF

GEAR CASE

B4610

REF.No.	PARTS No.	DESCRIPTION	Q'ty	SERIAL No.
001	300-37821-91	GEAR CASE ASSY 24	1	
002	994-61050-254	HEX. HOLE BOLT 5X25/S	2	
004	993-51022-002	STOP RING C-22, INNER	1	
005	993-57010-002	STOP RING OUTER 10	1	
006	999-61690-002	BALL BEARING	1	
007	999-61690-000	BALL BEARING 6900, 22	1	
009	300-38150-21	GEAR CASE 24	1	
011	994-61050-124	HEX. HOLE BOLT 5X12/S	1	
012	316-38150-20	OILING BOLT	1	
013	999-61609-000	BALL BEARING 609	1	
015	304-3338R-20	GEAR SHAFT	1	
016	999-61620-103	BALL BEARING 6201D, 3	1	
017	993-51032-002	STOP RING C-32, INNER	1	
018	310-38150-20	CUTTER HOLDER	1	
019	311-38150-20	CUTTER HOLDER	1	
022	313-38150-20	FIXING NUT M10X1.25	1	
023	324-38150-20	GEAR CASE WASHER	1	
026	994-81060-254	HEX. HOLE BUTTON SC	2	
028	442-33699-20	COVER BRACKET, 26 D	1	
029	441-37380-20	SAFETY COVER, CE	1	
030	445-37380-20	SAFETY COVER HOLDE	1	
031	447-37380-20	COVER GUARD	1	
032	797-37380-21	KNIFE	1	
033	307-37307-20	WINDING PROTECTOR	1	
034	994-14050-121	SCREW 5X12/S	1	
035	301-38150-00	GEAR PINION SET SPA	1	
036	991-01050-011	HEX. NUT 5	1	
037	444-37609-20	BRACKET SPACER	2	

B4611



Brush Cutters

TBC-2501SF

TOOLS

B4611

REF.No.	PARTS No.	DESCRIPTION	Q'ty	SERIAL No.
030	813-20000-20	HEX. WRENCH 4	1	
031	826-20000-80	COMBI, BOX WRENCH 1	1	