

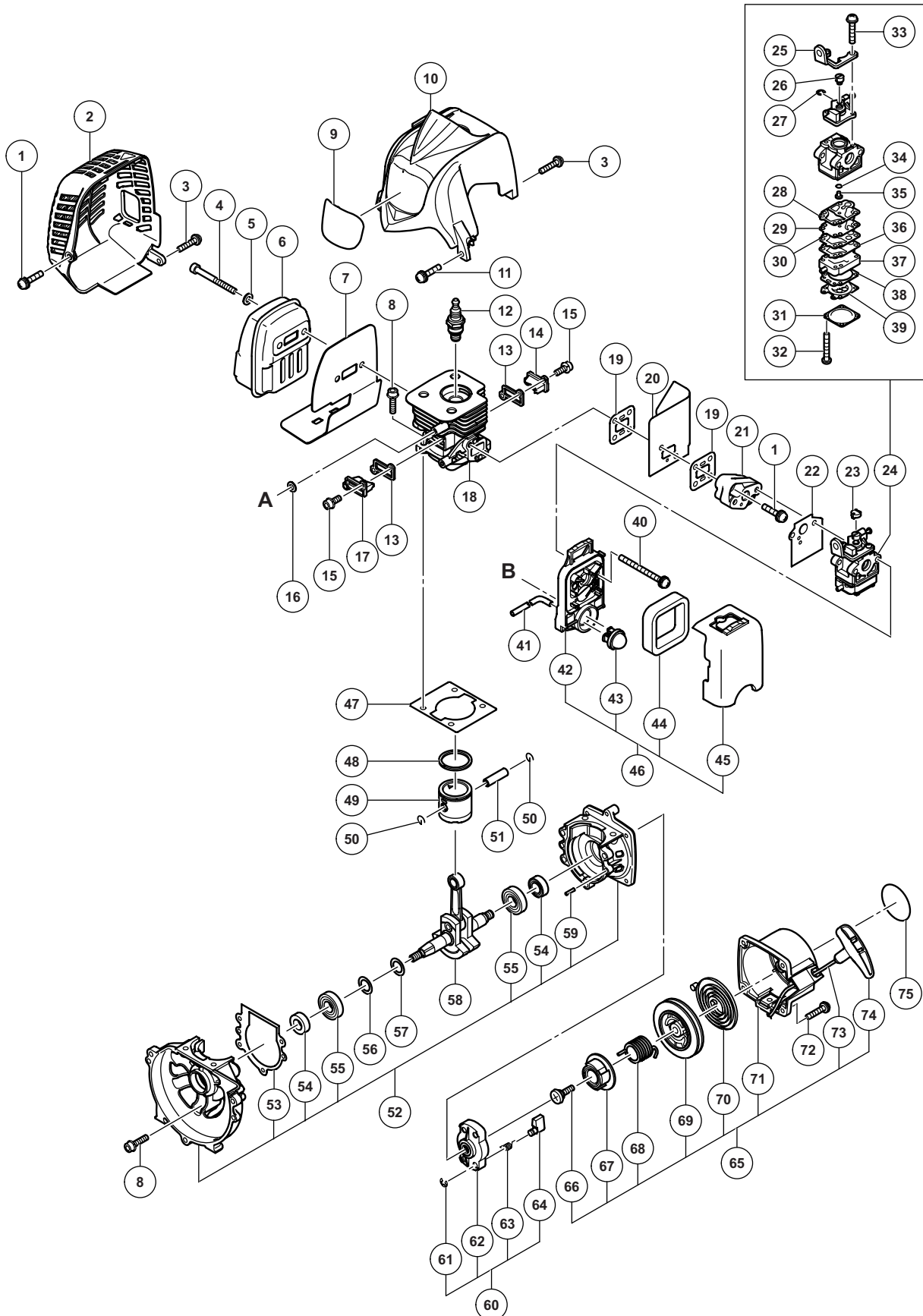
ENGINE TOOL PARTS LIST

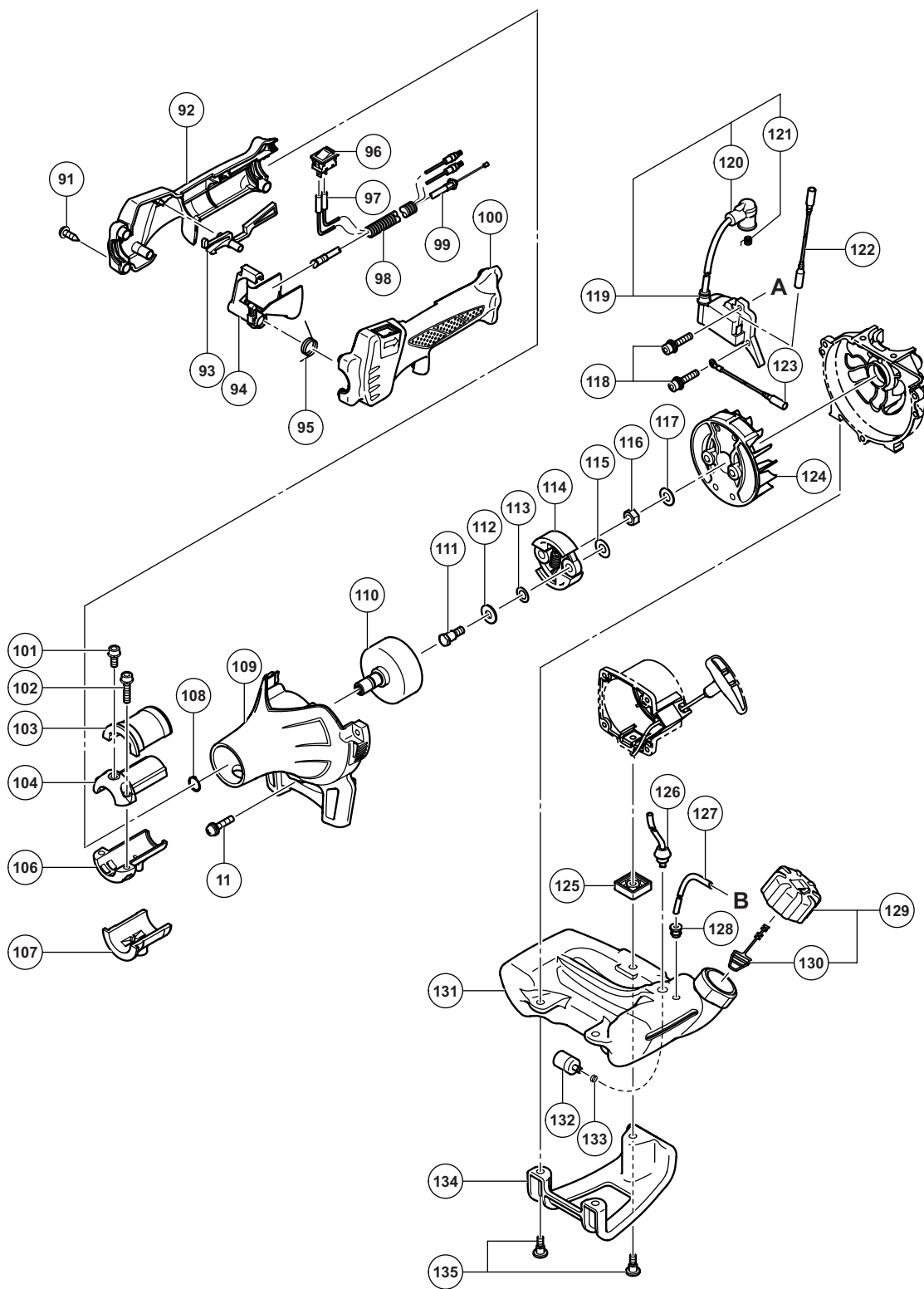
ENGINE BRUSH CUTTER

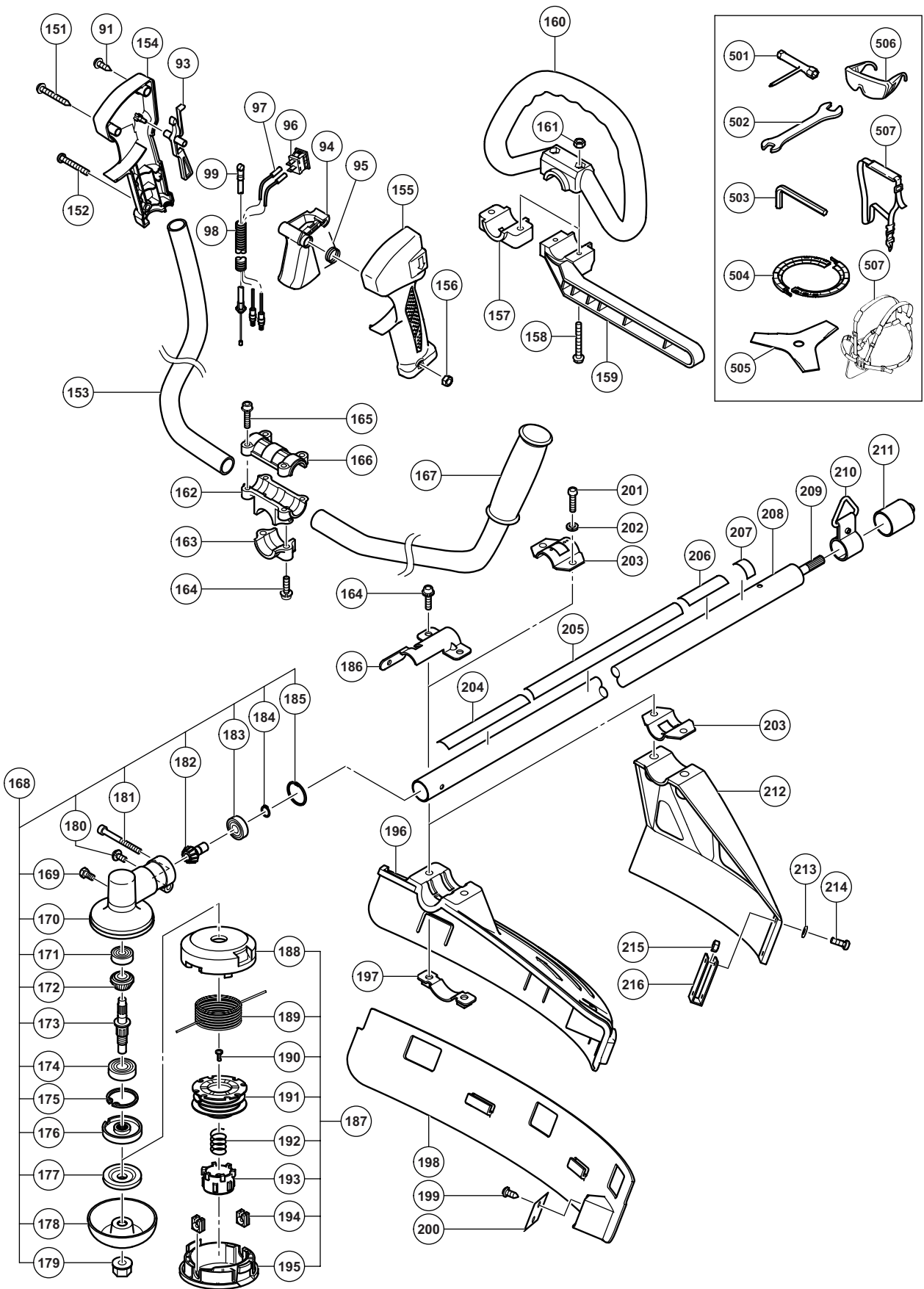
2010-11-18

Model TCG 24EAS (TANAKA BRAND)

(E1)







PARTS

TCG 24EAS

ITEM NO.	CODE NO.	DESCRIPTION	NO. USED	REMARKS
1	880-734	MACHINE SCREW (W/WASHERS) M5 X 25 (BLACK)	3	
2	669-8478	MUFFLER COVER	1	
3	307-606	MACHINE SCREW (W/WASHERS) M4 X 20 (BLACK)	3	
4	669-6819	HEX. SOCKET HD. BOLT M6	2	
5	949-432	BOLT WASHER M6 (10 PCS.)	2	
6	669-8477	MUFFLER	1	
7	669-6553	HEAT PROTECTION PANEL	1	
8	669-8386	HEX. SOCKET HD. BOLT (W/SP.WASHER) M5 X 18	8	
9	669-6339	TANAKA LABEL	1	
10	669-8466	CYLINDER COVER	1	
11	880-734	MACHINE SCREW (W/WASHERS) M5 X 25 (BLACK)	2	
* 12	668-5052	SPARK PLUG CJ6	1	
* 12	668-4584	SPARK PLUG BMR7A	1	FOR AUS, NZL
13	669-8468	COVER PACKING	2	
14	669-8469	SCAVENGING COVER (A)	1	
15	669-8385	HEX. SOCKET HD. BOLT M4 X 12	4	
16	668-4600	WASHER	2	
17	669-8470	SCAVENGING COVER (B)	1	
18	669-8465	CYLINDER	1	
19	668-4865	INSULATOR GASKET	2	
20	669-8516	FLASH PAN	1	
21	669-8387	CARBURETOR INSULATOR	1	
22	669-8405	CARBURETOR PACKING	1	
23	668-4628	SWIVEL CAP	1	
24	669-8474	CARBURETOR ASS'Y	1	INCLUD. 25-39
25		BRACKET CABLE	1	
26		SWIVEL	1	
27		RING SPRING RETAINING	1	
28		GASKET PUMP	1	
29		DIAPHRAGM PUMP	1	
30		PLATE PUMP	1	
31		COVER-METERING DIAPHRAGM	1	
32		SCREW (A)	4	
33		SCREW (B)	2	
34		O-RING	1	
35		JET	1	
36		GASKET PLATE	1	
37		BODY ASS'Y PUMP	1	
38		GASKET METERING DIAPHRAGM	1	
39		DIAPHRAGM ASS'Y METERING	1	
40	307-224	MACHINE SCREW (W/WASHERS) M5 X 60 (BLACK)	2	
41	669-6962	FUEL PIPE	1	
42		AIR CLEANER HOUSING	1	
43	668-5139	PRIMING PUMP COMP.	1	
44	669-0347	CLEANER ELEMENT	1	
45		CLEANER COVER	1	
46	669-6549	AIR CLEANER ASS'Y	1	INCLUD. 42-45
47	668-4587	CYLINDER GASKET	1	
48	669-8404	PISTON RING	1	
49	669-8368	PISTON	1	

PARTS

TCG 24EAS

ITEM NO.	CODE NO.	DESCRIPTION	NO. USED	REMARKS	
50	668-4590	PISTON PIN CIR CLIP	2		
51	668-4591	PISTON PIN	1		
52	668-4606	CRANK CASE ASS'Y	1	INCLUD. 53-55, 59	
53	668-4609	CRANK CASE GASKET	1		
54	668-4607	OIL SEAL TB 12227	2		
55	669-5535	BALL BEARING 6001 C3	2		
56	669-6946	SHIM	1		
57	669-6945	SHIM	1		
58	669-6533	CRANK SHAFT COMP.	1		
59	669-6947	KNOCK PIN 4 X 12	2		
60	668-4681	STARTER PULLEY ASS'Y	1	INCLUD. 61-64	
61	668-4683	STOP RING E-5	2		
62		STARTER PULLEY	1		
63	668-4684	STARTER PAWL SPRING	2		
64	668-4685	STARTER PAWL	2		
65	668-4672	RECOIL STARTER BODY ASS'Y	1	INCLUD. 66-71, 73, 74	
66	668-4679	SET SCREW	1		
67	668-4678	CAM PLATE	1		
68	668-4677	DUMPER SPRING	1		
69	668-4676	STARTER ROPE REEL	1		
70	668-4675	RECOIL SPRING	1		
71	668-4673	RECOIL STARTER BODY COMP.	1		
72	669-8398	SCREW (W/WASHERS) M4 X 16	1		
73	668-4674	STARTER ROPE 3.5 X 860	1		
74	668-4680	STARTER HANDLE	1		
75		NAME PLATE	1		
*	91	305-812	TAPPING SCREW (W/FLANGE) D4 X 16 (BLACK)	1	
*	91	305-812	TAPPING SCREW (W/FLANGE) D4 X 16 (BLACK)	4	FOR UAE (SL), PAN (SL), AUS (SL), SIN (SL), TPE (SL), KOR (SL)
*	92	669-6942	HANDLE (B)	1	FOR UAE (SL), PAN (SL), SIN (SL), TPE (SL), KOR (SL)
*	92	669-6487	HANDLE (B)	1	FOR AUS (SL)
*	93	669-6490	LOCK LEVER	1	FOR AUS, NZL
	94	669-6488	LEVER	1	
	95	669-6489	SPRING (A)	1	
	96	669-6940	STOP SWITCH	1	
*	97	669-6491	STOP SWITCH CORD	2	
*	97	669-6592	STOP SWITCH CORD	2	FOR UAE (S), PAN (S), AUS (S), NZL (S), SIN (S), TPE (S), KOR (S)
*	98	669-6967	PROTECTION TUBE	1	
*	98	669-6594	PROTECTION TUBE	1	FOR UAE (S), PAN (S), AUS (S), NZL (S), SIN (S), TPE (S), KOR (S)
*	99	669-6560	THROTTLE WIRE COMP.	1	
*	99	669-6593	THROTTLE WIRE COMP.	1	FOR UAE (S), PAN (S), AUS (S), NZL (S), SIN (S), TPE (S), KOR (S)
*	100	669-6941	HANDLE (A)	1	FOR UAE (SL), PAN (SL), SIN (SL), TPE (SL), KOR (SL)
*	100	669-6486	HANDLE (A)	1	FOR AUS (SL)
	101	668-4667	HEX.HOLE BOLT M5 X 12/S	1	
	102	669-5492	HEX. HOLE BOLT 5 X 22/S	2	

PARTS

TCG 24EAS

ITEM NO.	CODE NO.	DESCRIPTION	NO. USED	REMARKS	
103	669-6963	ANTI VIBE RUBBER (A)	1		
104	669-8643	PIPE HOLDER (A)	1		
106	669-8644	PIPE HOLDER (B)	1		
107	669-6964	ANTI VIBE RUBBER (B)	1		
108	939-542	RETAINING RING FOR D12 SHAFT (10 PCS.)	1		
109	669-8471	FAN CASE	1		
110	668-4663	CLUTCH DRUM COMP.	1		
111	669-6469	STEP BOLT	2		
112	668-4648	BENT WASHER 8	2		
113	669-6546	CLUTCH PLATE (A)	2		
114	669-6948	CLUTCH	1		
115	669-6547	CLUTCH WASHER (B)	2		
116	668-5337	FLYWHEEL NUT	1		
117	323-212	BOLT WASHER M8 (BLACK)	1		
118	669-8388	HEX. SOCKET HD. BOLT (W/WASHERS) M4 X 18	2		
119	669-6929	IGNITION COIL ASS'Y	1	INCLUD. 120, 121	
120	669-8435	PLUG CAP	1		
121	669-8436	METAL FITTING OF PLUG CAP	1		
122	669-6544	CORD	1		
*	123	669-6545	EARTH CORD	1	
*	123	669-8636	EARTH CORD	1	FOR AUS, NZL
124	669-6928	MAGNETO ROTOR COMP.	1		
125	669-8496	SPACER	1		
126	669-6551	SHIELD TUBE	1		
127	669-8401	FUEL PIPE (PINK)	1		
128	669-6970	RETURN GROMMET	1		
129	669-8402	FUEL TANK CAP ASS'Y	1	INCLUD. 130	
130		TANK CAP CHAIN	1		
131	669-8475	TANK	1		
132	668-4620	PUMP FILTER BODY COMP.	1		
133	669-6949	CLIP	1		
134	669-4787	STAND	1		
135	669-8512	BOLT (W/FLANGE) L23.8	3		
*	151	323-837	TAPPING SCREW (W/FLANGE) D4 X 30	1	FOR UAE (S), PAN (S), AUS (S), NZL (S), SIN (S), TPE (S), KOR (S)
*	152	323-041	MACHINE SCREW M5 X 30 (BLACK)	1	FOR UAE (S), PAN (S), AUS (S), NZL (S), SIN (S), TPE (S), KOR (S)
*	153	669-6585	HANDLE RIGHT	1	FOR UAE (S), PAN (S), AUS (S), NZL (S), SIN (S), TPE (S), KOR (S)
*	154	669-6591	HANDLE (B)	1	FOR UAE (S), PAN (S), SIN (S), TPE (S), KOR (S)
*	154	669-6590	HANDLE (B)	1	FOR AUS (S), NZL (S)
*	155	669-6589	HANDLE (A)	1	FOR UAE (S), PAN (S), SIN (S), TPE (S), KOR (S)
*	155	669-6588	HANDLE (A)	1	FOR AUS (S), NZL (S)
*	156	302-012	NUT M5 (BLACK)	1	FOR UAE (S), PAN (S), AUS (S), NZL (S), SIN (S), TPE (S), KOR (S)
*	157	669-6972	HANDLE HOLDER (A)	1	FOR UAE (SL), PAN (SL), SIN (SL), TPE (SL), KOR (SL)
*	158	669-6974	BOLT (BLACK) M6	2	FOR UAE (SL), PAN (SL), AUS (SL), SIN (SL), TPE (SL), KOR (SL)

PARTS

TCG 24EAS

ITEM NO.	CODE NO.	DESCRIPTION	NO. USED	REMARKS
* 159	669-6973	BARRIER	1	FOR AUS (SL)
* 160	669-6975	LOOP HANDLE	1	FOR UAE (SL), PAN (SL), AUS (SL), SIN (SL), TPE (SL), KOR (SL)
* 161	949-556	NUT M6 (10 PCS.)	2	FOR UAE (SL), PAN (SL), AUS (SL), SIN (SL), TPE (SL), KOR (SL)
* 162	669-6577	HANDLE HOLDER (B)	1	FOR UAE (S), PAN (S), AUS (S), NZL (S), SIN (S), TPE (S), KOR (S)
* 163	669-6578	HANDLE HOLDER (C)	1	FOR UAE (S), PAN (S), AUS (S), NZL (S), SIN (S), TPE (S), KOR (S)
* 164	668-4714	HEX.HOLE BUTTON SCREW 6 X 25S	4	FOR AUS (S), NZL (S)
* 164	668-4714	HEX.HOLE BUTTON SCREW 6 X 25S	2	FOR UAE (S), PAN (S), SIN (S), TPE (S), KOR (S), AUS (SL)
* 165	668-4709	HEX.HOLE BOLT M5 X 25/S	4	FOR UAE (S), PAN (S), AUS (S), NZL (S), SIN (S), TPE (S), KOR (S)
* 166	669-6576	HANDLE HOLDER (A)	1	FOR UAE (S), PAN (S), AUS (S), NZL (S), SIN (S), TPE (S), KOR (S)
* 167	669-6595	HANDLE LEFT	1	FOR UAE (S), PAN (S), AUS (S), NZL (S), SIN (S), TPE (S), KOR (S)
168	669-6485	GEAR CASE ASS'Y 3BB (A)	1	INCLUD. 169-185
169	669-6974	BOLT (BLACK) M6	1	
170		GEAR CASE D24	1	
171		BB.626	1	
172		GEAR	1	
173		GEAR SHAFT D24	1	
174		BB.600DDU	1	
175		C-RING D26	1	
176	669-6977	CUTTER HOLDER (A)	1	
177		CUTTER HOLDER (B)	1	
178		NUT COVER	1	
179		LEFT HAND NYLON NUT M10	1	
180		SCREW W/SPRING WASHER M5	1	
181		HEX. BOLT M5	1	
182		PINION	1	
183		BB.609Z	1	
184		GRIP RING D9	1	
185		C-RING D24	1	
* 186	669-6494	COVER BRACKET	1	FOR AUS, NZL
187	669-6454	NYLON HEAD ASS'Y	1	INCLUD. 188-195
188		COVER	1	
189		NYLON CORD	1	
190		SET SCREW	1	
191		REEL	1	
192		RETURN SPRING	1	
193		BUTTON	1	
194		CORD GUIDE	2	
195		CASE	1	
* 196	669-6980	COVER	1	FOR AUS, NZL
* 197	669-6951	SAFETY COVER HOLDER	1	FOR AUS, NZL
* 198	669-6950	COVER GUARD	1	FOR AUS, NZL
* 199	668-4751	TAPPING SCREW 4 X 14	1	FOR AUS, NZL

PARTS

TCG 24EAS

ITEM NO.	CODE NO.	DESCRIPTION	NO. USED	REMARKS	
* 200	668-4750	KNIFE	1	FOR AUS, NZL	
* 201	668-5064	HEX. SOCKET HD. BOLT (W/BUTTON) M6 X 20	2	FOR UAE, PAN, SIN, TPE, KOR	
* 202	949-455	SPRING WASHER M6 (10 PCS.)	1	FOR UAE, PAN, SIN, TPE, KOR	
* 203	669-6978	COVER BRACKET	2	FOR UAE, PAN, SIN, TPE, KOR	
* 204	668-5061	LEVEL MARK	1	FOR UAE, PAN, SIN, TPE, KOR	
	205	668-4959 CAUTION MARK	1		
* 206	668-4852	LEVEL MARK	1	FOR AUS (SL)	
	207	668-4851 LEVEL MARK	1		
	208	669-6558 MAIN PIPE COMP.	1		
	209	669-8514 DRIVE SHAFT	1		
	210	669-6493 HANGER	1		
	211	669-8515 CAP (A)	1		
* 212	669-6981	SAFETY COVER COMP.	1	FOR UAE, PAN, SIN, TPE, KOR	
* 213	323-210	BOLT WASHER M4 (BLACK)	2	FOR UAE, PAN, SIN, TPE, KOR	
* 214	668-5068	MACHINE SCREW (W/SP. WASHER) M4 X 12	2	FOR UAE, PAN, SIN, TPE, KOR	
* 215	949-554	NUT M4 (10 PCS.)	2	FOR UAE, PAN, SIN, TPE, KOR	
* 216	669-6584	KNIFE	1	FOR UAE, PAN, SIN, TPE, KOR	

STANDARD ACCESSORIES

ITEM NO.	CODE NO.	DESCRIPTION	NO. USED	REMARKS	
	501	668-4764 BOX WRENCH (HEX. SOCKET 17/19)	1		
	502	669-6596 WRENCH 8 X 10	1		
	503	944-458 HEX. BAR WRENCH 4MM	1		
* 504	668-4768	CUTTER COVER	2	FOR AUS (S), NZL (S)	
* 505		BLADE 3T X 255 X T1.8	1	FOR AUS (S), NZL (S)	
	506	875-769 SAFETY GLASSES	1		
* 507	669-6448	SHOULDER BELT SINGLE	1		
* 507	669-6184	SHOULDER BELT ASS'Y OR	1	FOR AUS (S), NZL (S)	