

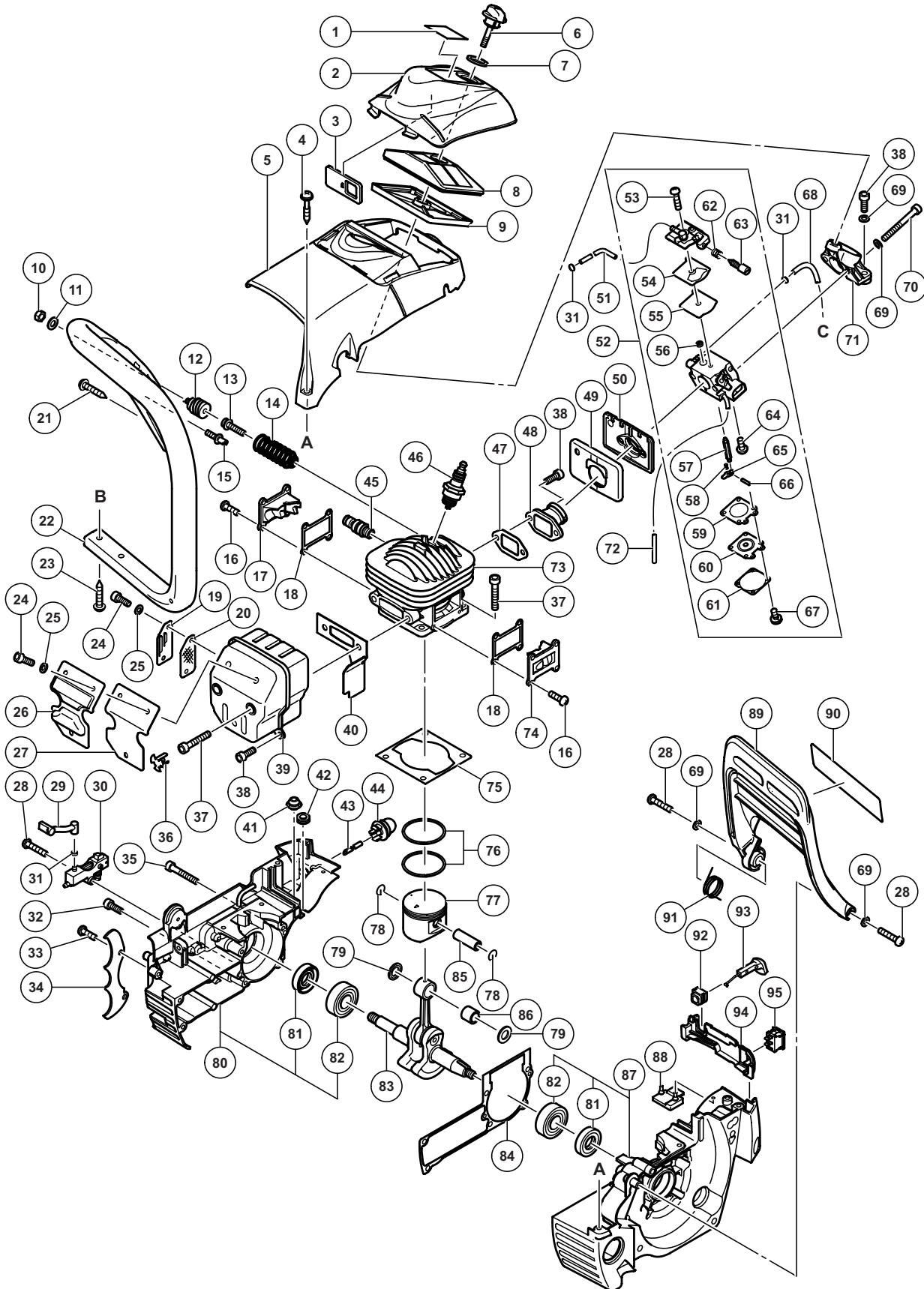
ENGINE TOOL PARTS LIST

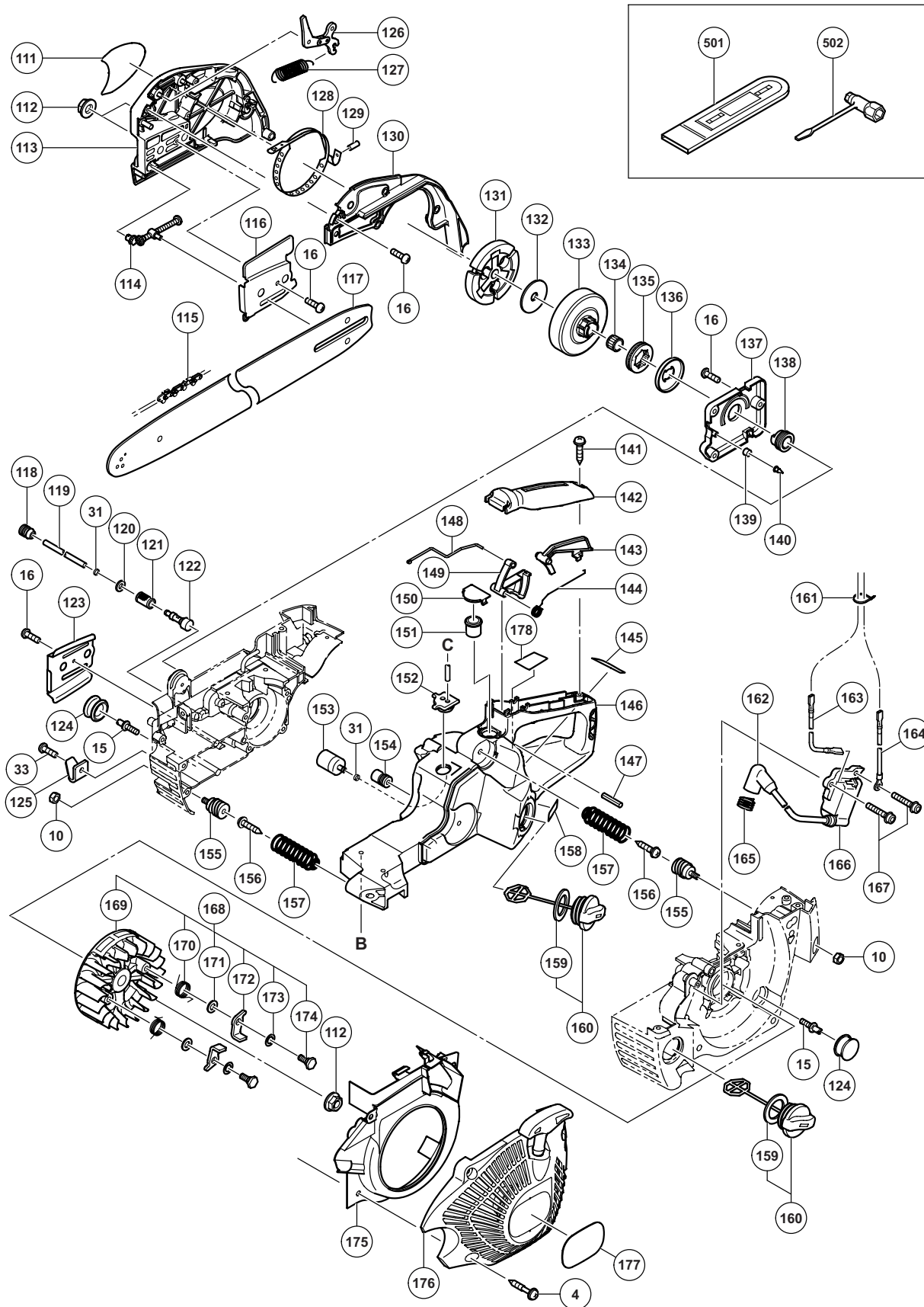
ENGINE CHAIN SAW

2012-1-31

Model TCS 51EAP (TANAKA BRAND)

(E1)





PARTS

TCS 51EAP

ITEM NO.	CODE NO.	DESCRIPTION	NO. USED	REMARKS
1	669-8919	START LABEL (C51) (EX)	1	
2	669-8568	CLEANER COVER (C51)	1	
3	669-8569	SHUTTER PLATE	1	
4	669-6903	COVER SET BOLT	7	
5	669-8708	CYLINDER COVER (C51)	1	
6	669-8595	CLEANER KNOB (VERMILION)	1	
7	669-8570	KNOB PACKING	1	
8	669-8563	CLEANER ELEMENT (B)	1	
9	669-8562	CLEANER ELEMENT (A)	1	
10	669-8449	NUT M6	3	
11	949-432	BOLT WASHER M6 (10 PCS.)	1	
12	669-8429	SPRING HOLDER	1	
13	881-722	HEX. SOCKET HD. BOLT (W/FLANGE) M6 X 20	1	
14	669-8428	ANTIVIBRATION SPRING	1	
15	668-5413	DAMPER SET BOLT	3	
16	669-6835	SEAL LOCK SCREW M4 X 10	18	
17	669-8539	SCAVENGING COVER (B)	1	
18	669-8540	COVER PACKING (C51)	2	
19	669-8903	EXHAUST PIPE (C51)	1	
20	669-8575	MUFFLER GAUZE (C51)	1	
21	305-558	TAPPING SCREW (W/FLANGE) D5 X 25 (BLACK)	2	
22	669-8578	FRONT HANDLE	1	
23	302-089	TAPPING SCREW (W/FLANGE) D5 X 20 (BLACK)	2	
24	949-812	HEX. SOCKET HD. BOLT M4 X 10 (10 PCS.)	5	
25	949-429	BOLT WASHER M4 (10 PCS.)	5	
26	669-8904	MUFFLER PROTECTOR	1	
27	669-8905	MUFFLER PROTECTOR GAUZE	1	
28	949-219	MACHINE SCREW M4 X 16 (10 PCS.)	3	
29	669-8900	OIL PIPE (CS40)	1	
30	669-8554	OIL PUMP	1	
31	668-5311	CLIP	5	
32	668-5412	SEAL LOCK HEX. SOCKET HD. BOLT M5	4	
33	669-8901	SEAL LOCK SCREW M5 X 12	3	
34	668-5400	SPIKE	1	
35	669-8902	SEAL LOCK HEX. SOCKET HD. BOLT M5 X 45	2	
36	669-8706	MUFFLER CAP	2	
37	669-8899	SEAL LOCK HEX. SOCKET HD. BOLT M6 X 20	6	
38	669-6836	HEX. SOCKET HD. BOLT M5 X 12 (PRECOTE)	5	
39	669-8574	MUFFLER (C51)	1	
40	669-8576	MUFFLER PACKING (C51)	1	
41	668-5308	FUEL GROMMET (A)	1	
42	669-8787	GROMMET	1	
43	668-5267	FUEL PIPE 2.5 X 4 X 90	1	
44	668-5139	PRIMING PUMP COMP.	1	
45	669-8541	DECOMP.	1	
* 46	668-5782	SPARK PLUG BPMR7A	1	
* 46	668-5780	SPARK PLUG BPM-7A	1	
47	669-8549	INTAKE PACKING (C51)	1	
48	669-8906	INTAKE (CS51)	1	
49	669-8551	CAB. INSULATOR RUBBER	1	

PARTS

TCS 51EAP

ITEM NO.	CODE NO.	DESCRIPTION	NO. USED	REMARKS
50	669-8552	CARBURETOR INSULATOR (C51)	1	
51	669-8907	FUEL PIPE (FKM)	1	
52	669-8705	CARBURETOR ASS'Y	1	INCLUD. 53-67
53	668-5210	SCREW	1	
54	668-5212	PUMP GASKET	1	
55	668-5213	PUMP DIAPHRAGM	1	
56	668-4700	INLET SCREEN	1	
57	668-5215	NEEDLE VALVE	1	
58	669-0873	VALVE SPRING	1	
59	668-5220	DIAPHRAGM PACKING-METERING	1	
60	668-4690	METERING DIAPHRAGM	1	
61	668-5222	DIAPHRAGM COVER-METERING	1	
62	669-0766	IDLE ADJUST SPRING	1	
63	668-5298	IDLE ADJUST SCREW	1	
64	668-5218	HINGE PIN SET SCREW	1	
65	668-5217	CONTROL LEVER	1	
66	668-5219	HINGE PIN	1	
67	668-5223	SET SCREW	1	
* 68	669-8908	FUEL PIPE	1	
* 68	669-8930	FUEL PIPE	1	FOR USA, CAN
69	668-5408	WASHER 5	5	
70	669-6317	HEX. SOCKET HD. BOLT M5 X 45	2	
71	669-8553	CLEANER SUPPORT (C51)	1	
72	669-8721	FUEL PIPE	1	
73	669-8537	CYLINDER	1	
74	669-8538	SCAVENGING COVER (A)	1	
75	669-8542	CYLINDER PACKING (C51)	1	
76	669-8534	PISTON RING	2	
77	669-8909	PISTON (44) (M)	1	
78	669-6854	CIRCLIP	2	
79	669-8910	PISTON PIN COLLAR (C51)	2	
80	669-8531	ENGINE CASE (B) ASS'Y	1	INCLUD. 81, 82
81	669-8914	OIL SEAL	2	
82	620-2C3	BALL BEARING 6202C3	2	
83	669-8532	CRANK SHAFT	1	
84	669-8535	CRANK CASE PACKING (C51)	1	
85	669-6855	PISTON PIN	1	
86	669-8911	NEEDLE BEARING (A)	1	
87	669-8530	ENGINE CASE (A) ASS'Y	1	INCLUD. 81, 82
88	669-8709	REAR DAMPER (C51)	1	
89	669-8572	BRAKE HANDLE	1	
* 90	669-8924	CAUTION LABEL (A) (EURO)	1	
* 90	669-8925	CAUTION LABEL (C) (USA)	1	
91	669-8912	BRAKE LEVER SPRING (B)	1	
92	668-5369	CHOKE ROD RUBBER	1	
93	669-8593	CHOKE BUTTON (VERMILION)	1	
94	669-8565	OPERATION PLATE	1	
95	669-6940	STOP SWITCH	1	
111		NAME PLATE	1	
112	669-8581	FLANGE NUT M8	3	

PARTS

TCS 51EAP

ITEM NO.	CODE NO.	DESCRIPTION	NO. USED	REMARKS
113	669-8585	SIDE CASE SUB	1	
114	669-8591	CHAIN PULLER BOLT	1	
115	669-8710	SAW CHAIN 20 INCH 0.325	1	
116	669-8592	GUIDE PLATE (B)	1	
* 117	669-6915	CHAIN BAR 16 INCH	1	
* 117	669-6916	CHAIN BAR 18 INCH MICRO-LITE	1	
* 117	669-8642	CHAIN BAR 20 INCH 0.325 SP	1	
118	669-6868	OIL GROMMET (A)	1	
119	669-8719	FUEL PIPE	1	
120	668-5407	BOLT WASHER D5	1	
121	669-8455	OIL FILTER	1	
122	669-8536	OIL FILTER BODY	1	
123	669-8561	GUIDE PLATE (A)	1	
124	669-8913	DAMPER (C51)	2	
125	669-6894	CHAIN CATCHER	1	
126	669-8587	BRAKE LINK	1	
127	669-8588	BRAKE SPRING	1	
128	669-8589	BRAKE BAND	1	
129	668-5391	NEEDLE ROLLER D3	1	
130	669-8590	BRAKE LINK COVER	1	
131	669-8560	CLUTCH	1	
132	669-6882	CLUTCH WASHER (B)	1	
133	669-8558	CLUTCH HOUSING	1	
134	669-6884	NEEDLE BEARING	1	
135	669-8557	RIM SPROCKET	1	
136	669-8556	CLUTCH WASHER	1	
137	669-8555	OIL PUMP COVER (C51)	1	
138	669-6886	WORM	1	
139	668-5371	AIR VENT SPONGE	1	
140	668-5370	AIR VENT VALVE (B)	1	
141	305-812	TAPPING SCREW (W/FLANGE) D4 X 16 (BLACK)	1	
142	669-8805	REAR HANDLE GRIP	1	
143	668-5350	TRIGGER LOCKOUT (VERMILION)	1	
144	669-6838	THROTTLE LEVER SPRING	1	
145		NUMBER PLATE	1	
146	669-8579	REAR HANDLE	1	
147	668-5282	SPRING PIN 5 X 25	1	
148	669-8564	THROTTLE ROD	1	
149	669-8916	THROTTLE LEVER (VERMILION)	1	
150	669-8580	AIR VALVE CAP	1	
151	668-5351	INNER CAP	1	
152	669-6167	FUEL GROMMET	1	
153	669-2285	PUMP FILTER BODY	1	
154	669-6873	FRONT DAMPER	1	
155	669-8409	SPRING HOLDER	2	
156	669-6872	FLANGED TAPPING SCREW D6	2	
157	669-8408	ANTIVIBRATION SPRING	2	
158	669-8921	TANK MARK LABEL	1	
159	668-5179	TANK CAP PACKING	2	
160	669-8854	FUEL TANK CAP ASS'Y (VERMILION)	1	INCLUD. 159

