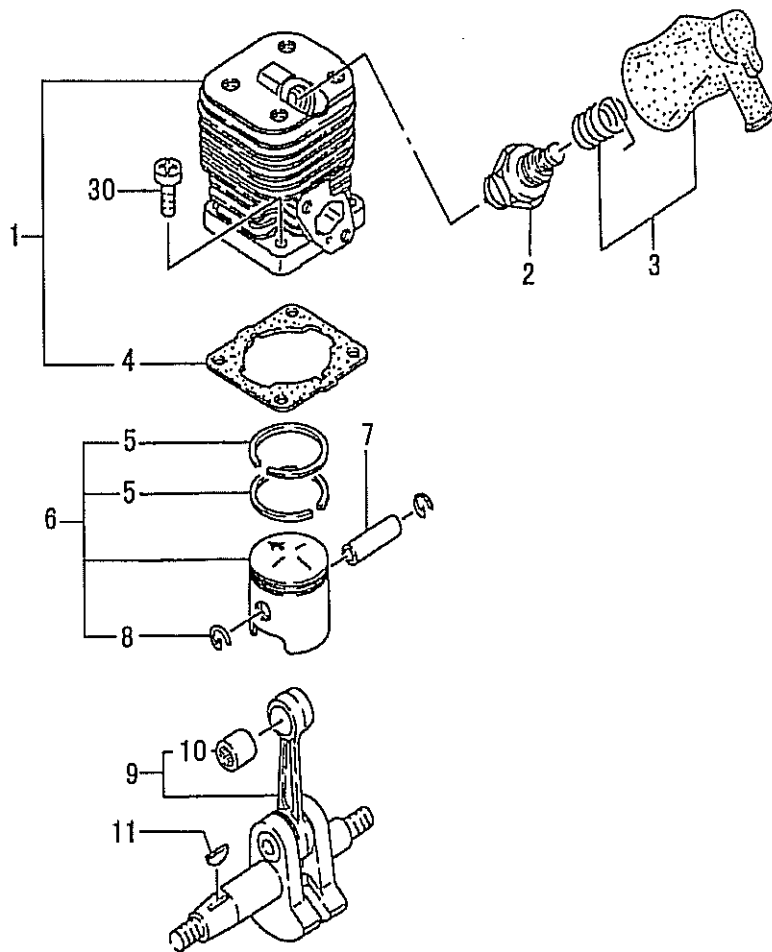


TED-262/L/DH
(S0301)



Special Tools

TED-262,L,DH

CYLINDER

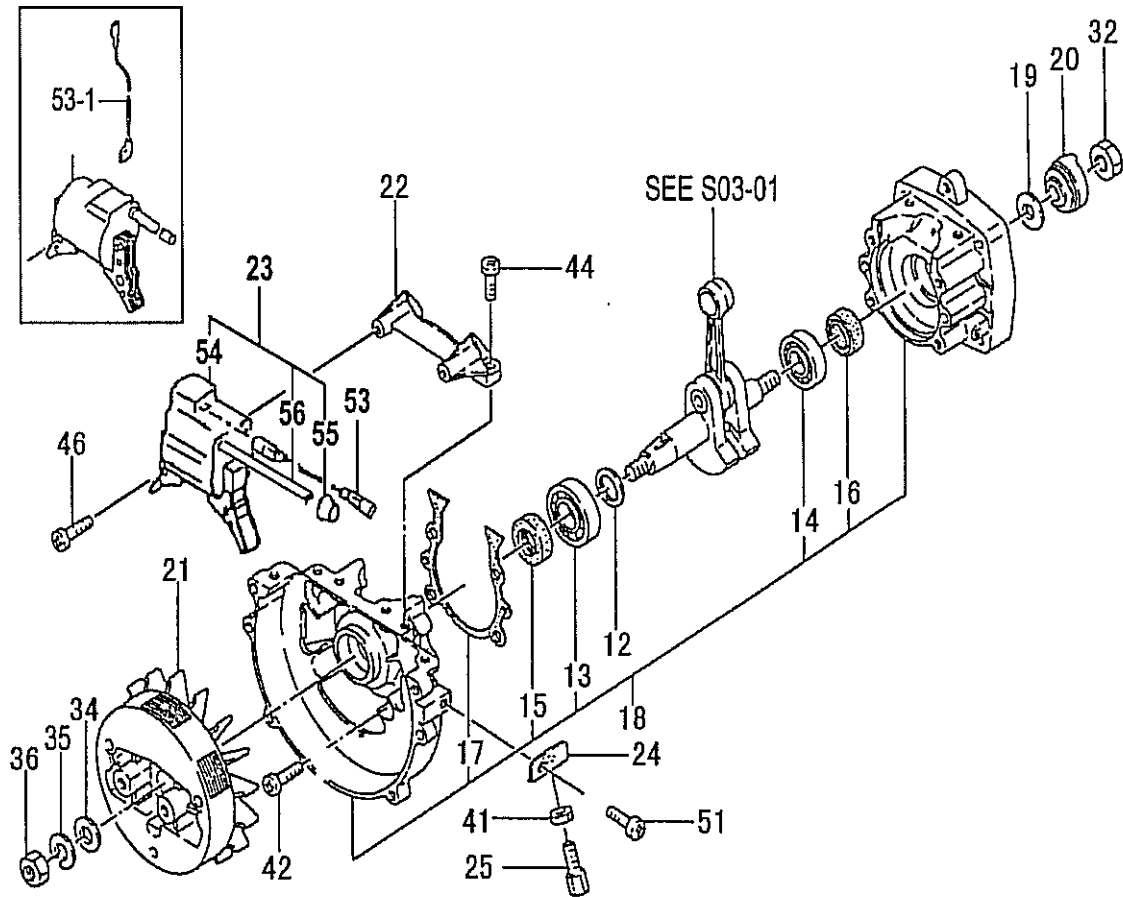
PISTON

CRANK SHAFT

S0301

REF.No.	PARTS No.	DESCRIPTION	Q'ty	SERIAL No.
001	001-01601-90	CYLINDER SET	1	-Y176700
001	001-01600-90	CYLINDER SET	1	Y176701-
002	018-00546-21	SPARK PLUG BMR6A	1	
003	157-0097A-90	SPARK PLUG CAP ASS'Y	1	
004	017-01620-20	CYLINDER GASKET	1	
005	041-01601-20	PISTON RING	2	
006	030-01620-90	PISTON SET	1	
007	037-01700-20	PISTON PIN	1	
008	039-00000-20	PISTON PIN CIRCLIP	2	
009	046-0162S-81	CRANK SHAFT COMP.	1	
010	999-62091-345	NEEDLE BEARING KTV9	1	
011	068-10100-20	WOOD-RUFF KEY 3X13X	1	
030	994-14050-161	SCREW 5X16/S	4	

TED-262/L/DH (S0302)



Special Tools

TED-262,L,DH

CRANK CASE

S0302

REF.No.	PARTS No.	DESCRIPTION	Q'ty	SERIAL No.
012	071-02007-20	CRANK SHAFT SHIM 0.0	V	
012	071-02007-21	CRANK SHAFT SHIM 0.1	V	
012	071-02007-22	CRANK SHAFT SHIM 0.1	V	
012	071-02007-23	CRANK SHAFT SHIM 0.2	V	
012	071-02007-24	CRANK SHAFT SHIM 0.3	V	
013	999-61600-200	BALL BEARING #6002, 3	1	
014	999-61600-100	BALL BEARING #6001, 2	1	
015	999-66152-500	OIL SEAL 15257	1	
016	999-66122-200	OIL SEAL TB 12227	1	
017	090-00601-20	CRANK CASE GASKET	1	
018	072-01620-90	CRANK CASE ASS'Y	1	
019	359-10112-20	CLUTCH WASHER B	1	
020	798-01630-20	STARTER PULLEY	1	
021	155-21720-80	MAGNETO ROTOR ASS'Y	1	
022	165-0162V-20	IGNITION COIL BRACKET	1	
023	167-20547-90	IGNITION COIL ASS'Y	1	
024	904-01620-20	ADJUSTER BRACKET	1	-Y176700
025	894-01401-20	OUTER RECEIVER	1	-Y176700
032	991-01080-011	HEX. NUT 8	1	
034	992-00080-011	SMALL WASHER 8	1	
035	992-10080-012	S.WASHER 8	1	-L242757
036	991-01080-011	HEX. NUT 8	1	
041	991-01060-013	NUT 6	1	-Y176700
042	994-14050-301	SCREW 5X30/S	4	
044	994-14050-161	SCREW 5X16/S	2	
046	994-16040-186	HIGH TENSION SCREW	2	
051	994-14050-121	SCREW 5X12/S	1	-Y176700
053,1	178-0136M-80	STOP CORD COMP.	1	-V112400
053	178-01600-80	CORD	1	V112401-
054	167-20531-80	IGNITION COIL COMP.	1	V112401-

Special Tools

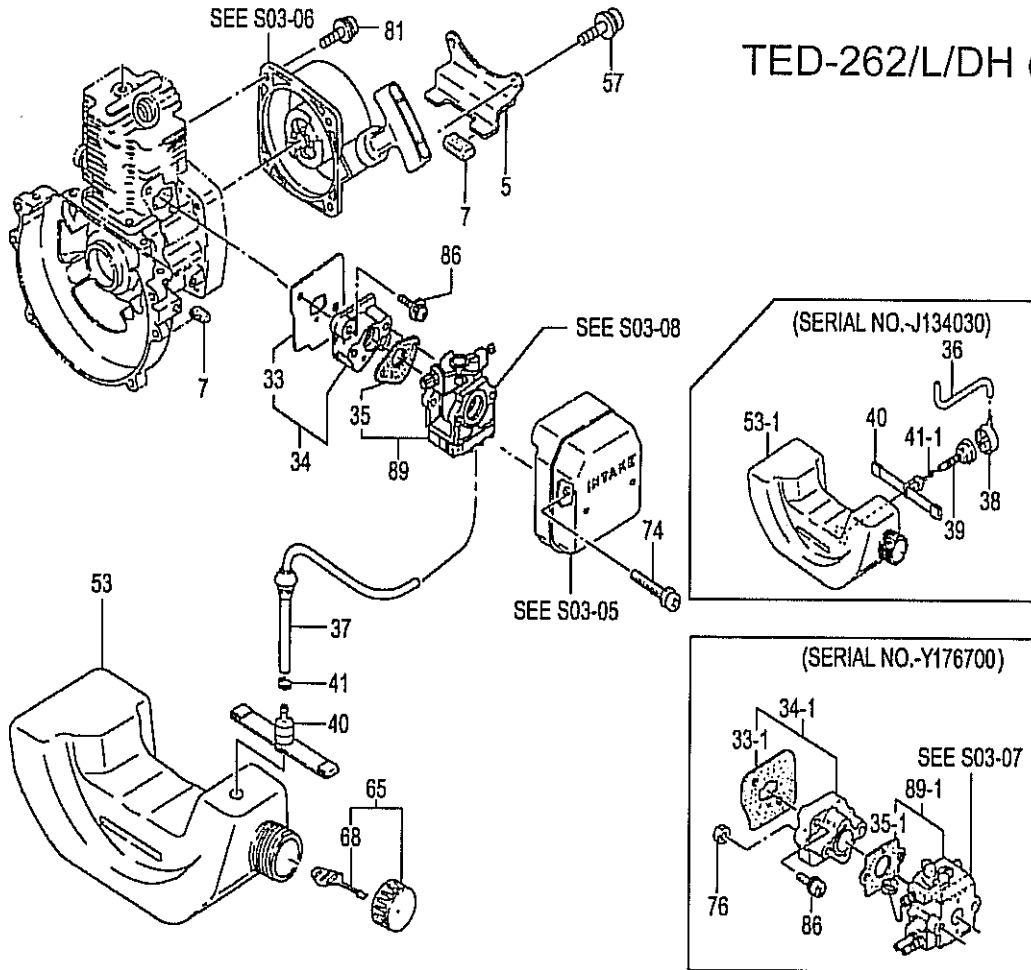
TED-262,L,DH

CRANK CASE

S0302

REF.No.	PARTS No.	DESCRIPTION	Q'ty	SERIAL No.
055	560-20517-20	RUBBER CAP	1	V112401-
056	178-20544-20	HIGHTENSION CORD 12	1	V112401-

TED-262/L/DH (S0303)



Special Tools

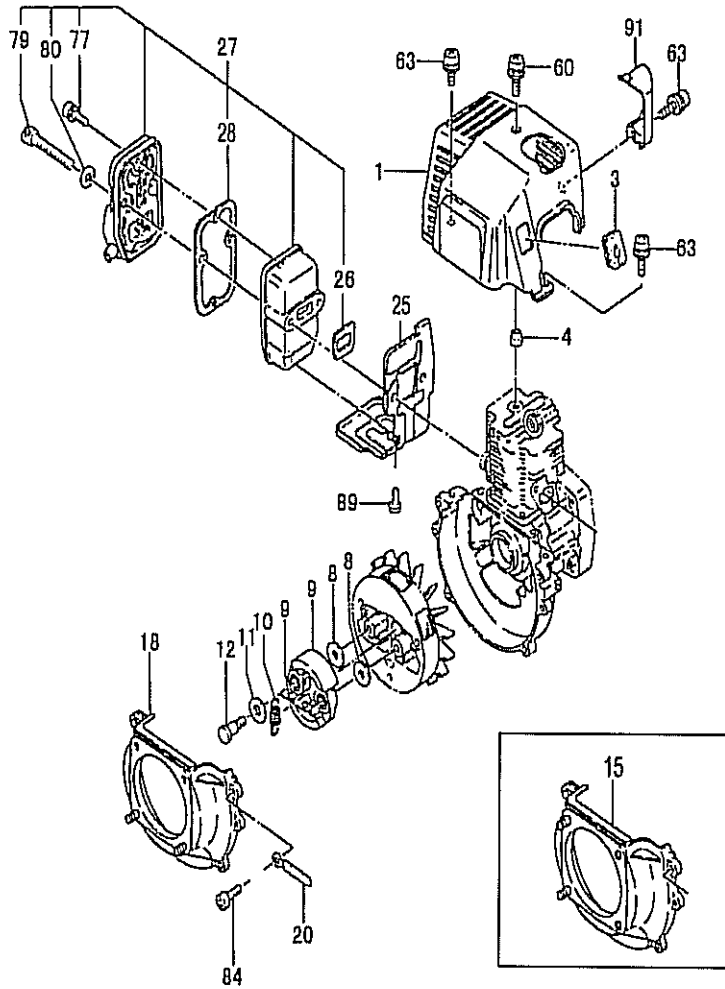
TED-262,L,DH

ENGINE-1

S0303

REF.No.	PARTS No.	DESCRIPTION	Q'ty	SERIAL No.
005	653-01620-20	TANK BRACKET	1	
007	655-06100-20	FUEL TANK CUSHION R	4	
033,1	403-01620-20	INLET MANIFOLD GASKET	1	-Y176700
033	403-01600-20	INLET MANIFOLD GASKET	1	Y176701-
034,1	404-01620-91	CARBURETOR INSULATOR	1	-Y176700
034	404-01600-90	INSULATOR COMP.	1	Y176701-
035,1	402-00601-20	CARBURETOR GASKET	1	-Y176700
035	402-0602K-21	CARBURETOR GASKET	1	Y176701-
036	700-03005-15	FUEL PIPE 3X5X150	1	-J134030
037	223-0162V-90	FUEL PIPE ASS'Y	1	J134031-
038	500-33202-20	RUBBER PIPE CAP	1	-J134030
039	678-00601-20	RUBBER PIPE	1	-J134030
040	675-0608A-90	PUMP FILTER BODY ASS	1	
041,1	680-04019-21	CLIP 7	1	-J134030
041	680-00731-20	CLIP, 6.3 DIA.	1	J134031-
053,1	591-01620-20	FUEL TANK	1	-J134030
053	591-0162T-22	FUEL TANK	1	J134031-
057	994-15040-162	SCREW 4X16/PS	2	
065	595-00093-90	TANK CAP D ASS'Y.ORA	1	
068	626-32550-20	TANK CAP CHAIN	1	
074	994-16050-601	PLUS SCREW 5X60WS	2	-R035030
074	994-16050-651	SCREW 5X65/WS	2	-Y176700
074	994-16050-601	PLUS SCREW 5X60WS	2	Y176701-
076	991-78050-010	NYLON LOCK NUT 5	2	
081	994-15040-142	SCREW 4X14/PS	2	
086	994-16050-221	SCREW 5X22/WS	2	-Y176700
086	994-16050-241	SCREW 5X24WS	2	Y176701-
089,1	455-42189-90	CARBURETOR SET	1	-Y176700
089	455-0162E-90	CARBURETOR SET	1	Y176701-

TED-262/L/DH
(S0304)



Special Tools

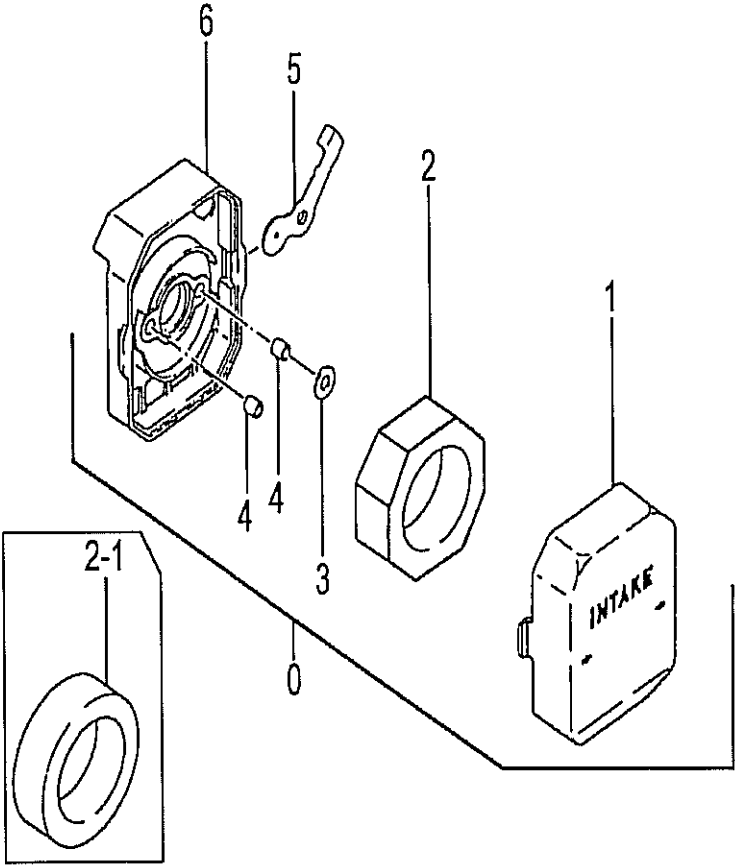
TED-262,L,DH

ENGINE-2

S0304

REF.No.	PARTS No.	DESCRIPTION	Q'ty	SERIAL No.
001	738-01620-21	MUFFLER PROTECTOR	1	
003	203-0630B-20	PRIMARY CORD GROMM	1	
004	011-0630B-20	CYLINDER COVER COLL	1	-S214610
008	359-02103-20	CLUTCH WASHER B	2	
009	290-01620-80	CLUTCH SHOE COMP.	2	
010	342-0630B-20	CLUTCH SPRING	1	
011	358-02103-20	WASHER	2	
012	357-0075T-20	STEP BOLT	2	
015	112-0162S-80	FAN CASE COMP.	1	-N157000
015	112-0162U-80	FAN CASE COMP.	1	-W260416
015	112-0162U-81	FAN CASE COMP.	1	W260417-
018	112-0162S-81	FAN CASE COMP.	1	
020	198-05015-80	CORD CLAMP COMP.	1	-Y176700
025	133-01620-22	HEAT SHIELD	1	
026	737-01620-20	MUFFLER GASKET	1	
027	705-0162V-90	MUFFLER ASS'Y	1	-J134030
027	704-0162T-90	MUFFLER SET	1	J134031-
028	739-01620-21	MUFFLER COUPLING GA	1	
060	994-15050-182	SCREW 5X18/PS	1	-S214611
063	994-15050-122	SCREW 5X12/PS	3	
077	994-13040-122	SCREW 4X12/P	2	
079	990-51050-453	HEX. HOLE BOLT 5X45	2	
080	992-01050-061	WASHER 5	2	
084	994-14050-161	SCREW 5X16/S	4	
089	994-13050-101	SCREW 5X10/P	1	
091	132-01620-20	DIELECTOR	1	

TED-262/L/DH (S0305)



Special Tools

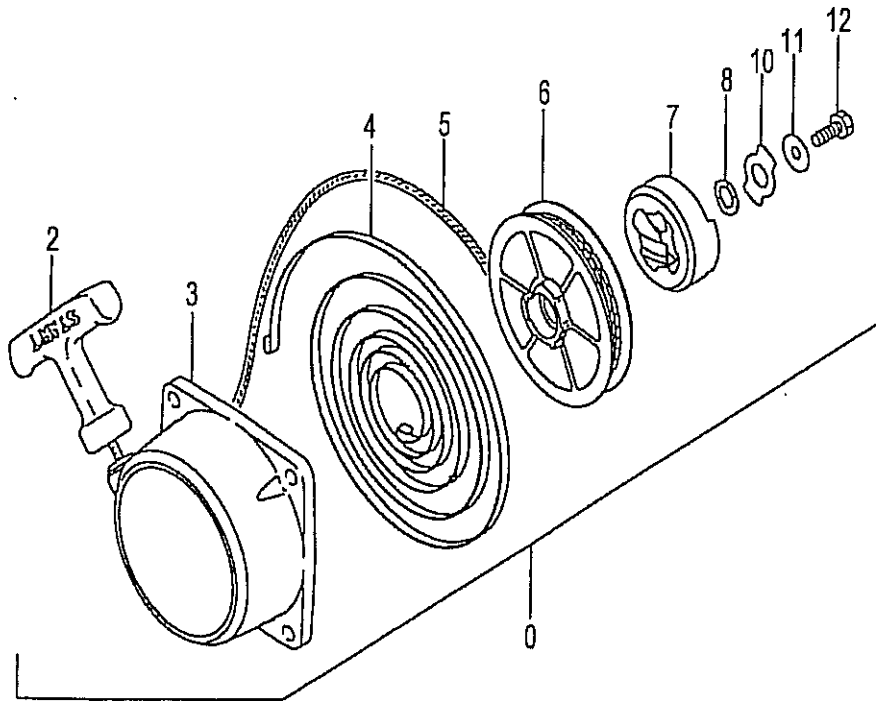
TED-262,L,DH

AIR CLEANER

S0305

REF.No.	PARTS No.	DESCRIPTION	Q'ty	SERIAL No.
000	410-0602D-90	AIR CLEANER ASS'Y	1	-R035030
000	410-0650D-90	AIR CLEANER ASS'Y	1	-Y176700
000	410-01600-90	AIR CLEANER ASS'Y	1	Y176701-
001	424-0602K-20	AIR CLEANER CAP	1	-Y176700
001	424-0072Z-20	AIR CLEANER CAP	1	Y176701-
002,1	446-0602K-20	CLEANER ELEMENT	1	-Y176700
002	446-0072Z-20	CLEANER ELEMENT	1	Y176701-
003	453-0602K-20	SPACER	1	
004	470-0602K-20	COLLAR	2	-Y176700
004	470-00025-20	COLLAR	2	Y176701-
005	528-0602D-20	CHOKE PLATE,W/2MM H	1	-Y176700
005	528-0602K-20	CHOKE PLATE,W/1.5MM	1	Y176701-
006	423-0602K-21	CLEANER BODY	1	-Y176700
006	423-0072Z-81	CLEANER BODY COMP.	1	Y176701-

TED-262/L/DH (S0306)



Special Tools

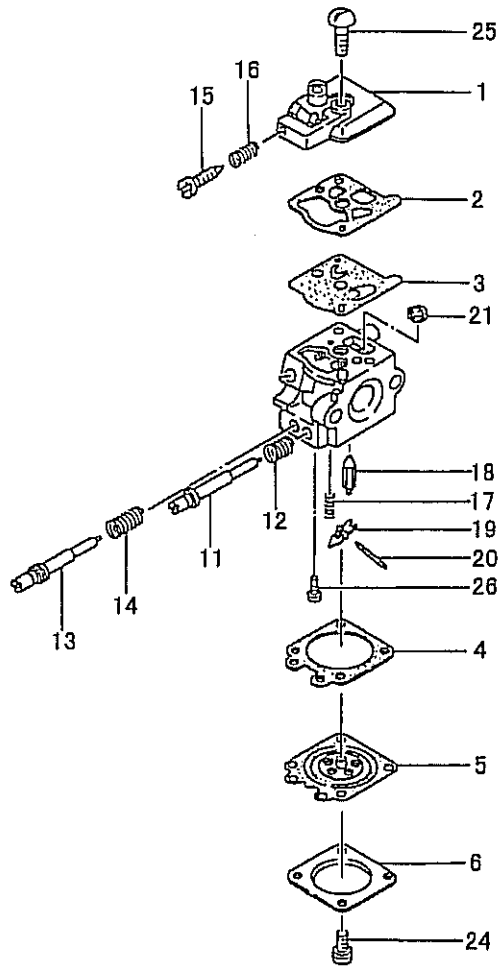
TED-262,L,DH

RECOIL STARTER

S0306

REF.No.	PARTS No.	DESCRIPTION	Q'ty	SERIAL No.
000	762-00940-90	RECOIL STARTER BODY	1	
002	785-00940-20	STARTER HANDLE	1	
003	772-00940-80	RECOIL STARTER BODY	1	
004	780-00940-20	RECOIL SPRING	1	
005	783-00940-20	STARTER ROPE	1	
006	774-00940-20	STARTER PULLEY	1	-V189100
006	774-01630-21	STARTER PULLEY	1	V189101-
007	788-01630-21	STARTER PAWL	1	
008	801-05015-20	STARTER REEL WASHE	1	
010	837-04230-20	FRICION PLATE	1	
011	822-05015-20	STARTER REEL SHIM	1	-V189100
011	822-04230-20	STARTER PAWL SHIM	1	V189101-
012	839-04230-20	SET BOLT	1	

TED-262/L/DH
(S0307)



Special Tools

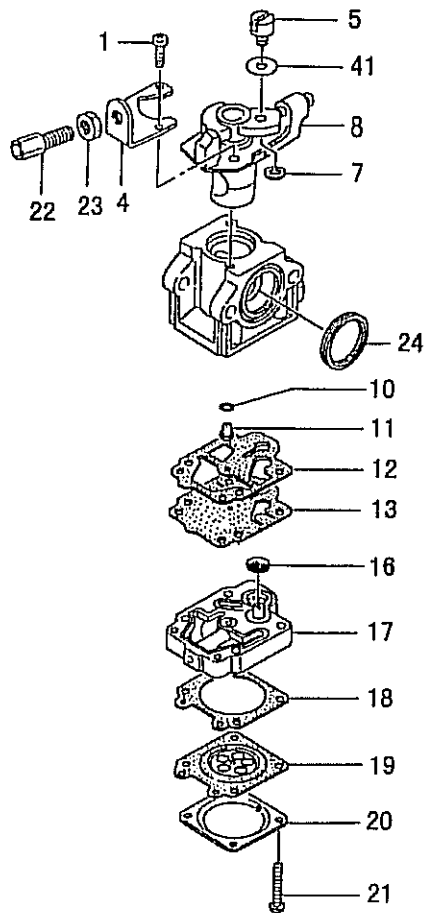
TED-262,L,DH

CARBURETOR(SERIAL NO.-Y176700)

S0307

REF.No.	PARTS No.	DESCRIPTION	Q'ty	SERIAL No.
001	575-25010-20	PUMP BODY	1	
002	577-25007-20	PUMP GASKET	1	
003	576-25006-20	PUMP DIAPHRAGM	1	
004	475-25001-20	DIAPHRAGM GASKET	1	
005	474-25001-80	METERING DIAPHRAGM	1	
006	476-25004-20	DIAPHRAGM COVER	1	
011	460-25023-20	HIGH ADJUST SCREW	1	
012	485-25003-20	HIGH ADJUST SPRING	1	
013	461-25023-20	LOW ADJUST SCREW	1	
014	623-25001-20	HIGH/LOW ADJUST SPR	1	
015	462-25006-20	IDLE ADJUST SCREW	1	
016	463-25006-20	IDLE ADJUST SPRING	1	
017	477-25007-20	VALVE SPRING	1	
018	603-25001-20	NEEDLE VALVE	1	
019	473-25001-20	VALVE HINGE	1	
020	605-25001-20	HINGE PIN	1	
021	578-25007-20	INLET SCREEN	1	
024	548-25014-20	*SET SCREW	4	
025	514-25001-20	SET SCREW	1	
026	546-25001-20	HINGE PIN SET SCREW	1	

TED-262/L/DH
(S0308)



Special Tools

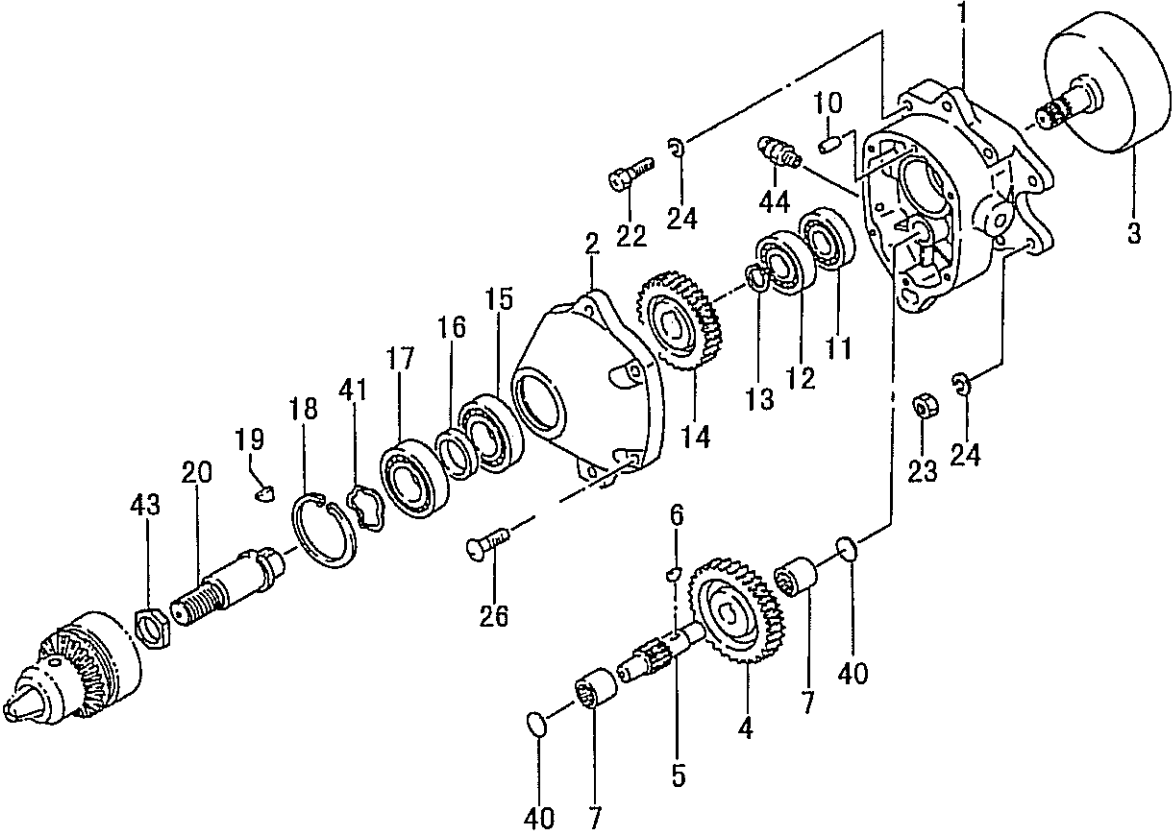
TED-262,L,DH

CARBURETOR(SERIAL NO.Y176701-)

S0308

REF.No.	PARTS No.	DESCRIPTION	Q'ty	SERIAL No.
001	514-25100-20	THROTTLE SET SCREW	2	
004	544-25164-20	CABLE ADJUSTER STAY	1	
005	539-25120-20	SWIVEL	1	
007	489-25100-20	STOP RING	1	
008	488-25260-80	THROTTLE VALVE COM	1	
010	550-25100-20	O-RING	1	
011	599-2000W-38	MAIN JET #38	1	
012	577-25100-20	PUMP GASKET	1	
013	576-25100-20	PUMP DIAPHRAGM	1	
016	578-25007-20	INLET SCREEN	1	
017	575-25152-80	PUMP BODY COMP.	1	
018	475-25001-20	DIAPHRAGM GASKET	1	
019	474-25241-80	METERING DIAPHRAGM	1	
020	476-25004-20	DIAPHRAGM COVER	1	
021	548-25101-20	SET SCREW	1	
022	614-25137-20	CABLE ADJUSTER	1	
023	613-25100-20	CABLE ADJUST NUT	1	
024	431-0634C-20	CLEANER PACKING	1	
041	549-25165-20	THRUST WASHER	1	

TED-262/L/DH (S0309)



Special Tools

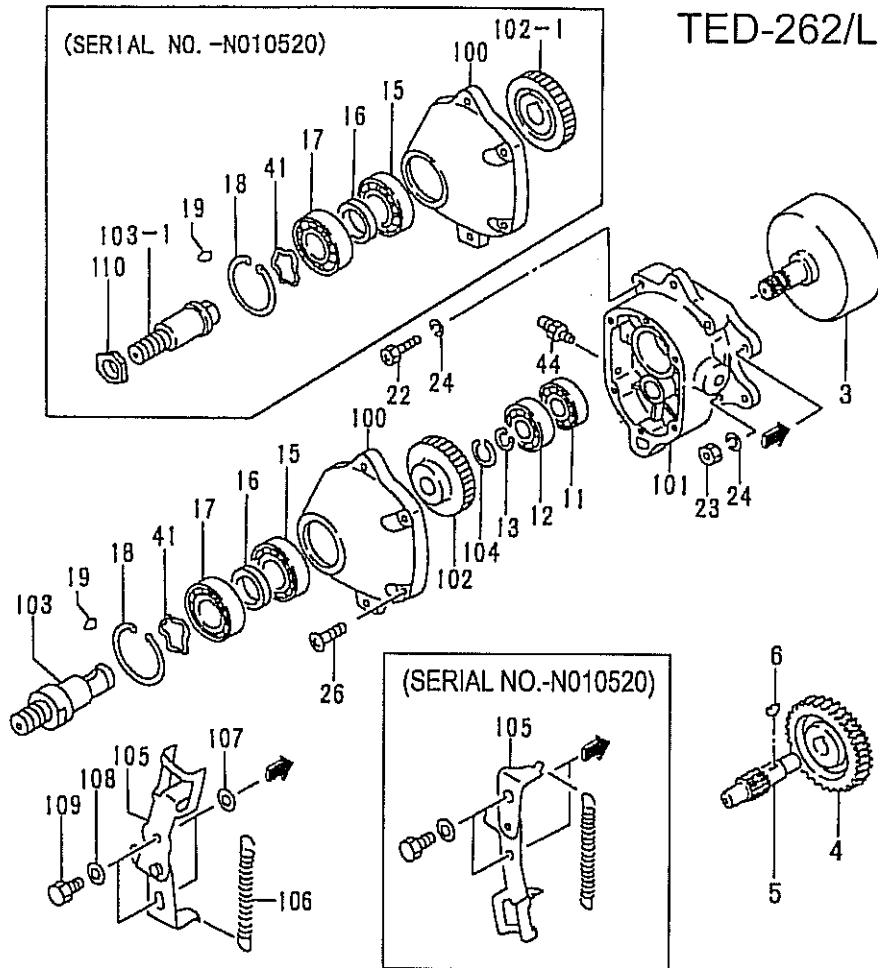
TED-262,L,DH

GEAR CASE (TED262)

S0309

REF.No.	PARTS No.	DESCRIPTION	Q'ty	SERIAL No.
001	002-32182-80	GEAR CASE A COMP.	1	P222381-
002	006-3210A-80	GEAR CASE B COMP.	1	
003	226-32120-80	CLUTCH HOUSING COM	1	
004	012-32120-20	GEAR 2	1	
005	016-32120-20	GEAR 3	1	
006	068-00300-20	WOOD-RUFF KEY 3X10X	1	
007	999-62091-211	NEEDLE BRG TLA912 1.5	2	-P222380
010	999-05041-201	KNOCK PIN 4X12	2	-P222380
011	999-61600-102	BALL BEARING #6001Z,	1	
012	999-61600-100	BALL BEARING #6001, 2	1	
013	993-50012-002	STOP RING C-12, OUTER	1	
014	018-32120-20	GEAR 4	1	
015	999-61720-221	BALL BEARING #7202B,	1	
016	040-32120-20	BEARING WASHER	1	
017	999-61620-202	BALL BEARING #6202Z,	1	
018	993-51035-002	STOP RING C-35, INNER	1	
019	068-01006-20	WOOD-RUFF KEY 3X13X	1	
020	022-32120-20	DRIVE SHAFT	1	
022	990-23060-301	PLUS BOLT 6X30	2	
023	991-01060-011	NUT 6	2	
024	992-10060-012	S.WASHER 6	4	
026	994-14050-181	SCREW 5X18/S	4	
040	025-32120-20	GEAR WASHER	2	-P222380
041	992-09350-030	WAVE WASHER B.B 35	1	
043	231-32175-20	GEAR SHAFT COLLAR B	1	
044	300-32250-80	GREASE NIPPLE COMP.	1	

TED-262/L/DH (S0310)



Special Tools

TED-262,L,DH

GEAR CASE (TED262L/DH)

S0310

REF.No.	PARTS No.	DESCRIPTION	Q'ty	SERIAL No.
003	226-32120-80	CLUTCH HOUSING COM	1	
004	012-32120-20	GEAR 2	1	
005	016-32120-20	GEAR 3	1	
006	068-00300-20	WOOD-RUFF KEY 3X10X	1	
011	999-61600-102	BALL BEARING #6001Z,	1	
012	999-61600-100	BALL BEARING #6001, 2	1	
013	993-50012-002	STOP RING C-12, OUTER	1	
015	999-61720-221	BALL BEARING #7202B,	1	
016	040-32120-20	BEARING WASHER	1	
017	999-61620-202	BALL BEARING #6202Z,	1	
018	993-51035-002	STOP RING C-35, INNER	1	
019	068-01006-20	WOOD-RUFF KEY 3X13X	1	
022	990-23060-301	PLUS BOLT 6X30	2	
023	991-01060-011	NUT 6	2	-W260416
023	991-01060-011	NUT 6	2	W260417-
024	992-10060-012	S.WASHER 6	4	
026	994-14050-181	SCREW 5X18/S	4	
041	992-09350-030	WAVE WASHER B.B 35	1	
044	300-32250-80	GREASE NIPPLE COMP.	1	
100	006-3210A-80	GEAR CASE B COMP.	1	
101	002-32182-80	GEAR CASE A COMP.	1	
102,1	018-32120-20	GEAR 4	1	-N010520
102	018-32182-20	GEAR 4	1	N010521-
103,1	022-32182-20	DRIVE SHAFT	1	-N010520
103	022-32183-20	DRIVE SHAFT	1	N015021-
104	993-50013-002	STOP RING C-13, OUTER	1	N010521-
105	405-32182-81	LOCK LEVER COMP.	1	N010521-
106	406-32182-20	LOCK LEVER SPRING	1	
107	182-01700-20	SPECIAL WASHER	2	
108	992-01070-011	WASHER 7	2	

Special Tools

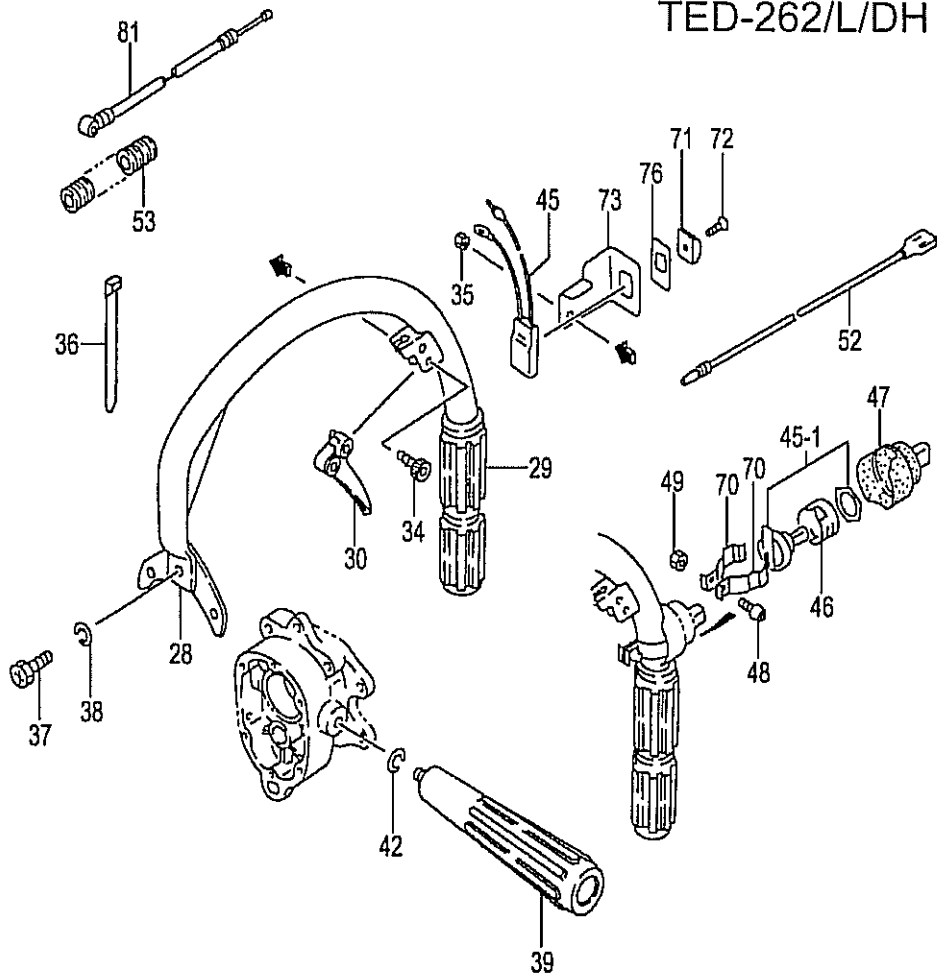
TED-262,L,DH

GEAR CASE (TED262L/DH)

S0310

REF.No.	PARTS No.	DESCRIPTION	Q'ty	SERIAL No.
109	793-10200-20	STEP BOLT	2	
110	231-32175-20	GEAR SHAFT COLLAR B	1	-N010520

TED-262/L/DH (S0311)



Special Tools

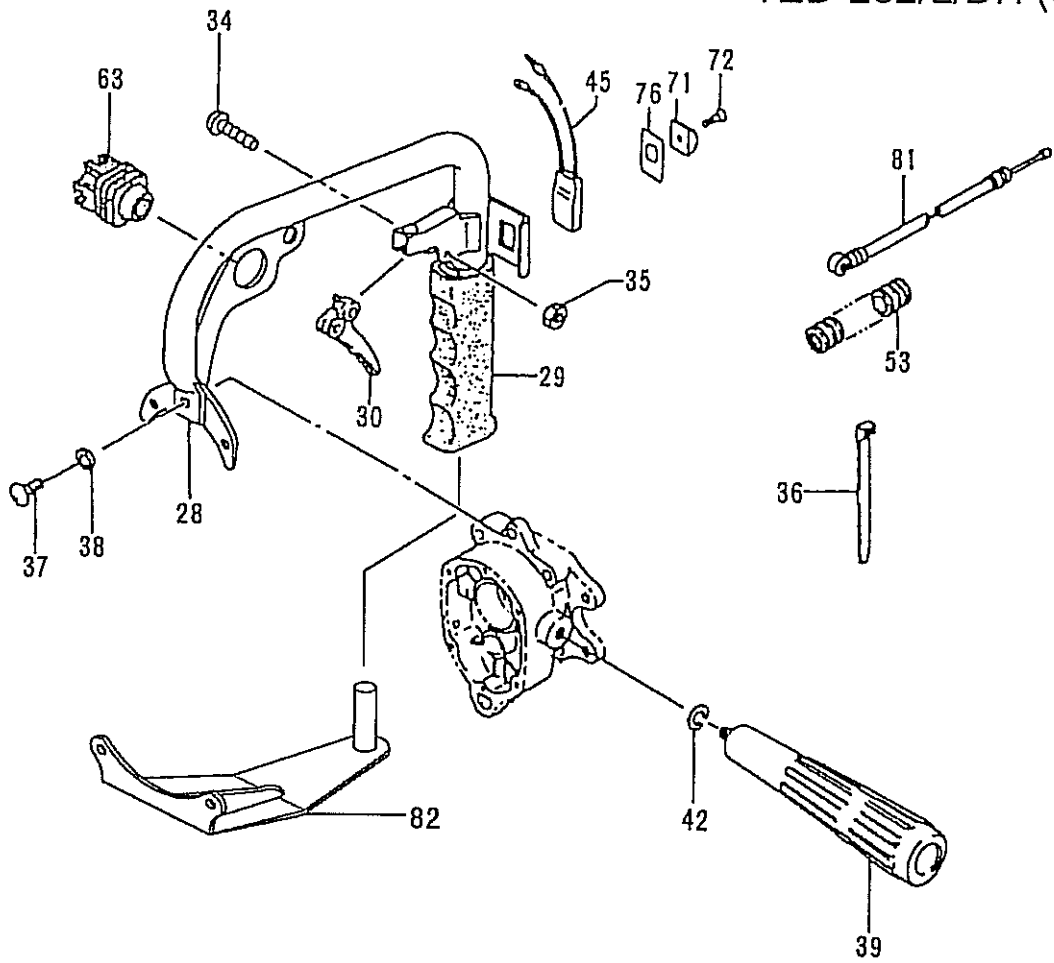
TED-262,L,DH

HANDLE(SERIAL NO.-P109200) (TED262/L)

S0311

REF.No.	PARTS No.	DESCRIPTION	Q'ty	SERIAL No.
028	258-32170-81	HANDLE COMP. A	1	
029	055-32130-20	HANDLE GRIP	1	
030	101-32120-20	THROTTLE LEVER	1	
034	990-11050-221	SCREW 5X22	1	-P001800
034	990-51050-253	HEX. HOLE BOLT 5X25	1	P001801-
035	991-01050-011	HEX. NUT 5	2	-P001800
035	991-01050-011	HEX. NUT 5	1	P001801-
036	198-33130-20	CORD CLAMP	2	
037	990-11060-161	SCREW 6X16	1	-J197706
037	990-23060-161	PLUS BOLT 6X16	1	J197707-
038	992-10060-012	S.WASHER 6	1	
039	259-32120-81	HANDLE COMP. B	1	
042	992-10100-012	S.WASHER 10	1	
045,1	162-01300-90	STOP SWITCH ASS'Y	1	-P001800
045	170-32184-80	STOP BUTTON COMP.	1	P001801-
046	640-33210-20	STOP SWITCH BRACKET	1	-P001800
047	268-33210-21	STOP BUTTON RUBBER	1	-P001800
048	994-14040-161	SCREW 4X16/S	1	-P001800
049	991-01040-011	HEX. NUT 4	1	-P001800
052	178-0162S-80	STOP CORD COMP.	1	-P001800
053	164-10034-00	PROTECTION TUBE 10X	1	
070	115-32170-20	BRACKET	2	-P001800
071	258-11650-20	BUTTON STOP	1	P001801-
072	990-11030-101	SCREW 3X10	1	P001801-
073	272-32184-20	STOP SWITCH BRACKET	1	P001801-
076	925-3210A-20	STOP BUTTON MARK	1	P001801-
081	885-0162S-80	THROTTLE WIRE COMP	1	

TED-262/L/DH (S0312)



Special Tools

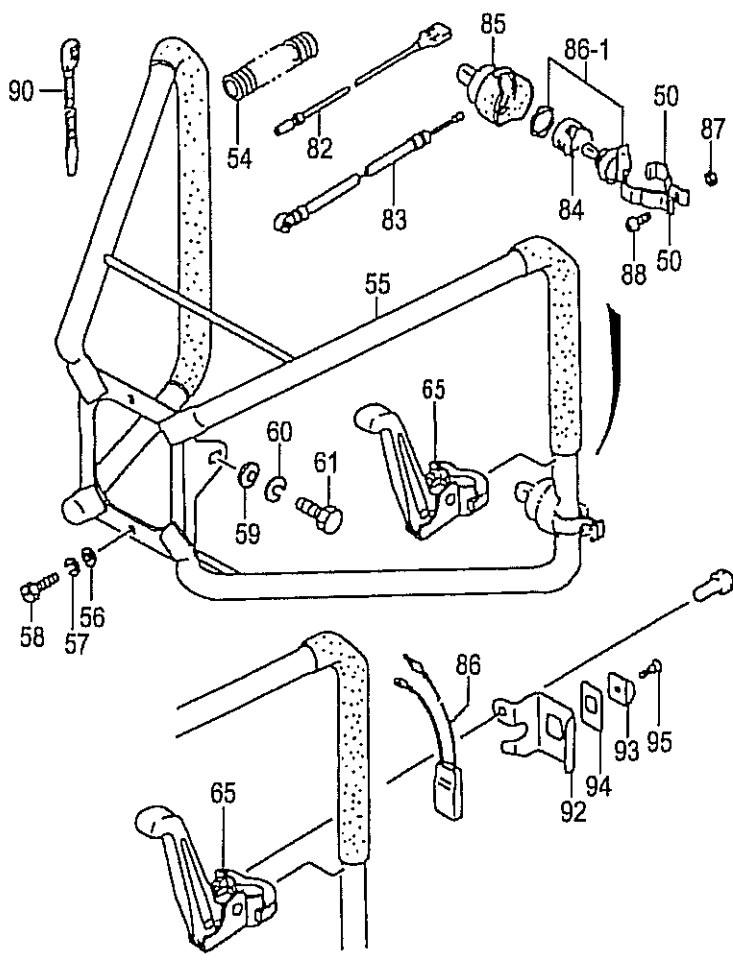
TED-262,L,DH

HANDLE (SERIAL NO.P109201-) (TED262/L)

S0312

REF.No.	PARTS No.	DESCRIPTION	Q'ty	SERIAL No.
028	258-3210A-82	HANDLE COMP. A	1	
029	165-33130-20	HANDLE GRIP A	1	
030	101-32120-20	THROTTLE LEVER	1	
034	990-11050-251	SCREW 5X25	1	
035	991-01050-011	HEX. NUT 5	1	
036	198-33130-20	CORD CLAMP	2	
037	990-23060-161	PLUS BOLT 6X16	1	
038	992-10060-012	S.WASHER 6	1	
039	259-32120-81	HANDLE COMP. B	1	
042	992-10100-012	S.WASHER 10	1	
045	170-32175-80	STOP BUTTON COMP.	1	-Y176700
045	170-32190-80	STOP BUTTON COMP.	1	Y176701-
053	164-10032-00	PROTECTION TUBE 10X	1	-Y176700
053	164-10034-00	PROTECTION TUBE 10X	1	Y176701-
063	155-3210A-20	CHUCK HANDLE HOLDE	1	
071	258-11650-20	BUTTON STOP	1	
072	994-31030-101	SCREW 3X10	1	
076	925-33176-20	STOP BUTTON MARK	1	
081	885-0163V-80	THROTTLE WIRE COMP	1	-Y176700
081	885-01601-80	THROTTLE WIRE COMP	1	Y176701-
082	265-32182-80	HANDLE SUPPORT COM	1	R197189-

TED-262/L/DH
(S0313)



Special Tools

TED-262,L,DH

HANDLE (TED262DH)

S0313

REF.No.	PARTS No.	DESCRIPTION	Q'ty	SERIAL No.
050	115-32170-20	BRACKET	2	-J134030
050	115-33210-20	BRACKET	2	J134031-
050	115-33210-20	BRACKET	2	-P109600
054	164-10034-01	SPLIT PROTECTION TUBE	1	-J198206
054	164-10032-00	PROTECTION TUBE 10X	1	-M164600
054	164-10015-00	PROTECTION TUBE 10X	1	-N157000
054	164-10032-00	PROTECTION TUBE 10X	1	N157001-
055	047-32175-80	HANDLE COMP.	1	-M164600
055	047-32175-81	HANDLE COMP.	1	M164601-
056	992-01060-011	WASHER 6	2	
057	992-10060-012	S.WASHER 6	2	
058	990-23060-121	PLUS BOLT 6X12	2	
059	992-01100-011	WASHER 10	2	
060	992-10100-012	S.WASHER 10	2	
061	990-21100-201	BOLT 10X20	2	
065	101-32175-90	THROTTLE LEVER ASS'Y	1	
082	178-0162T-80	STOP CORD COMP.	1	-M164600
082	179-0162T-80	STOP CORD COMP.	1	-N157000
082	178-0162T-80	STOP CORD COMP.	1	-P109600
083	885-0162T-80	THROTTLE WIRE COMP	1	-M164600
083	885-0162T-81	THROTTLE WIRE COMP	1	-N157000
083	885-0162U-80	THROTTLE WIRE COMP	1	-Y176700
083	885-0163N-80	THROTTLE WIRE COMP	1	Y176701-
084	640-33210-20	STOP SWITCH BRACKET	1	-P109600
085	268-33210-21	STOP BUTTON RUBBER	1	-P109600
086,1	162-01300-90	STOP SWITCH ASS'Y	1	-P109600
086	170-32175-80	STOP BUTTON COMP.	1	P109601-
087	991-01040-011	HEX. NUT 4	1	-P109600
088	990-11040-161	SCREW 4X16	1	-P109600
090	198-33130-20	CORD CLAMP	1	N157001-

Special Tools

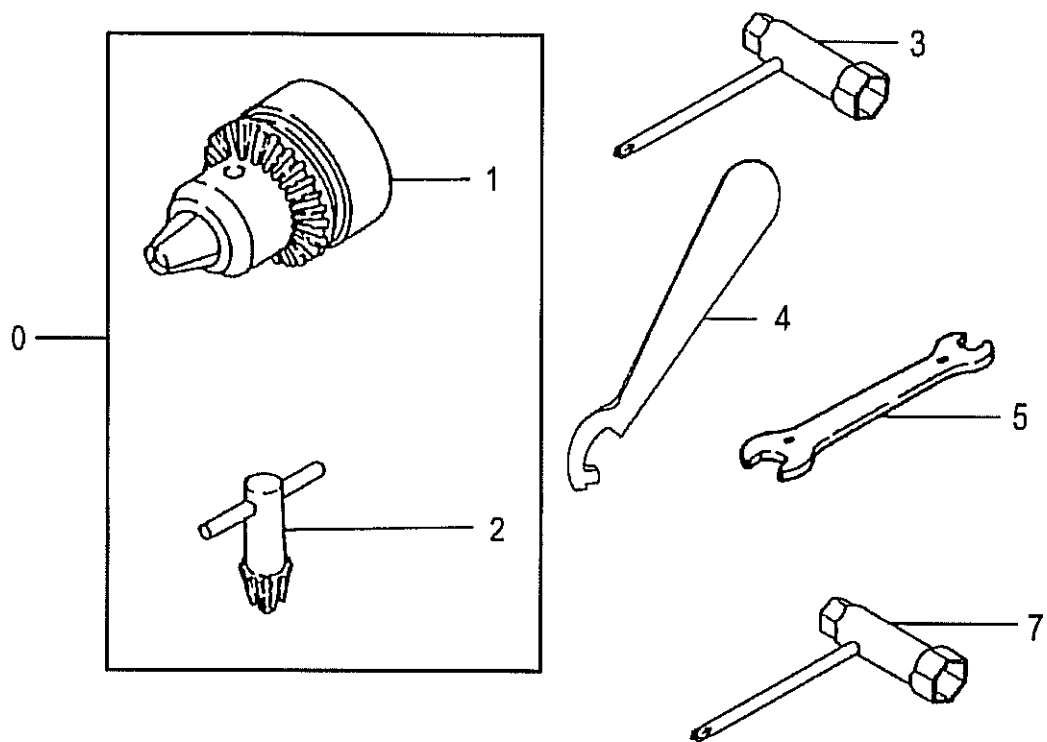
TED-262,L,DH

HANDLE (TED262DH)

S0313

REF.No.	PARTS No.	DESCRIPTION	Q'ty	SERIAL No.
092	640-32465-20	STOP BUTTON BRACKE	1	P109601-
093	258-11650-20	BUTTON STOP	1	P109601-
094	925-3210A-20	STOP BUTTON MARK	1	P109601-
095	990-11030-101	SCREW 3X10	1	P109601-

TED-262/L/DH (S0314)



Special Tools

TED-262,L,DH

ACCESSORIES
TOOLS

S0314

REF.No.	PARTS No.	DESCRIPTION	Q'ty	SERIAL No.
000	059-32120-91	CHUCK HANDLE SET	1	
001	060-32120-91	DRILL CHUCK ASS'Y	1	
002	061-32120-81	CHUCK HANDLE COMP.	1	
003	829-20000-80	COMBI BOX SPANNER	1	
004	845-20000-20	SPECIAL WRENCH 31	1	
005	049-29321-75	SPANNER 17X19	1	
007	826-20000-80	COMBI, BOX WRENCH 1	1	