

S43

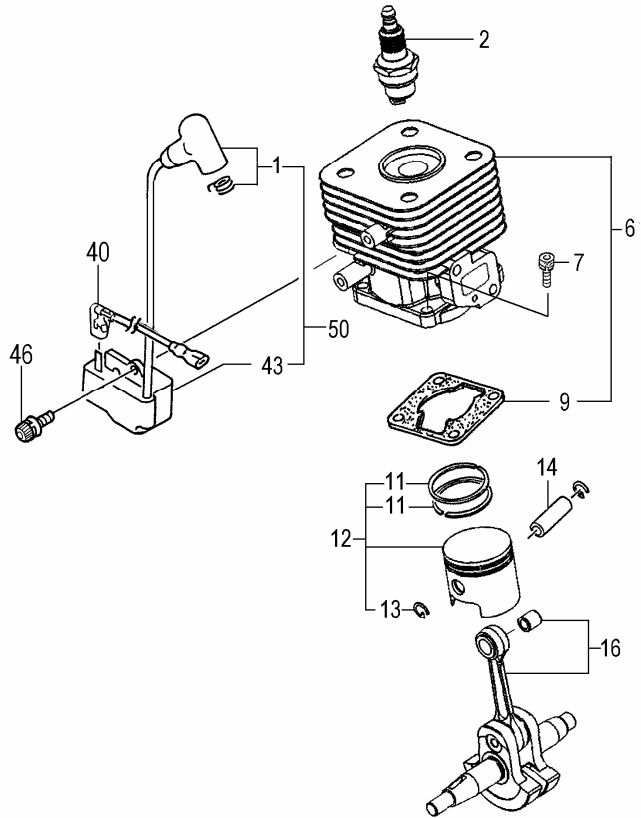
Tanaka

TED-270LS

Serial No.

S43-01

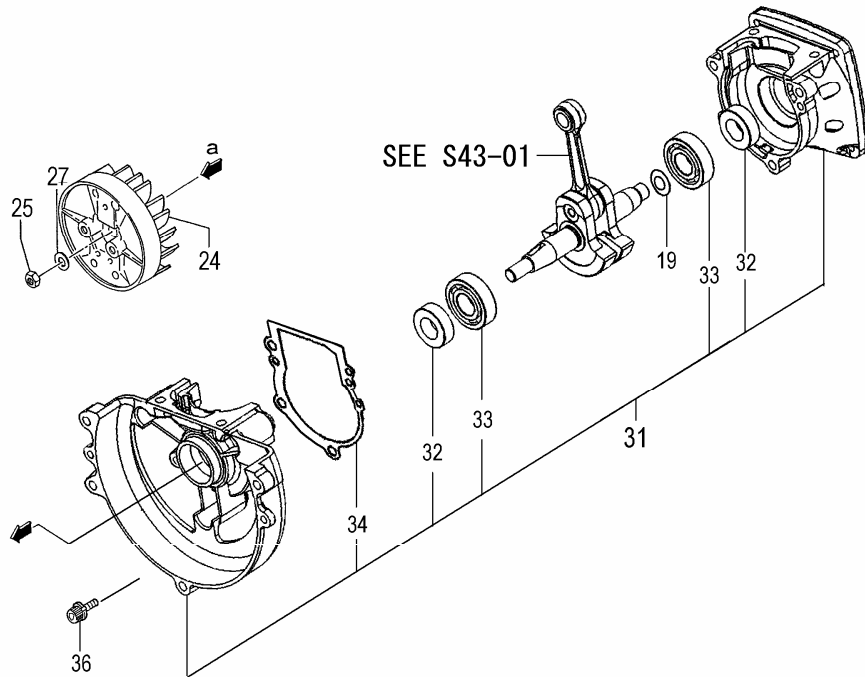
TED-270LS CYLINDER/PISTON/CRANK SHAFT



REF. NUMBER	PARTS NUMBER	DESCRIPTION	Q'TY	SERIAL NUMBER
001	157-01680-90	PLUG CAP ASS'Y	1	
002	018-00555-20	SPARK PLUG, RCJ8Y	1	
006	001-07355-90	CYLNDER SET	1	
007	994-61050-184	HEX. HOLE BOLT 5X18/S	4	
009	017-07355-20	CYLINDER GASKET T=1.0	1	
011	041-01700-20	PISTON RING	2	
012	030-07350-90	PISTON SET	1	
013	039-00601-20	PISTON PIN CIRCLIP	2	
014	037-07045-20	PISTON PIN	1	
016	046-07350-82	CRANK SHAFT COMP.	1	
040	178-01680-80	STOP CORD B 190M	1	
043	167-21013-80	IGNITION COIL	1	
046	994-64040-184	HEX. HOLE BOLT 4X18WS	2	
050	167-21013-90	IGNITION COIL ASS'Y	1	

S43-02

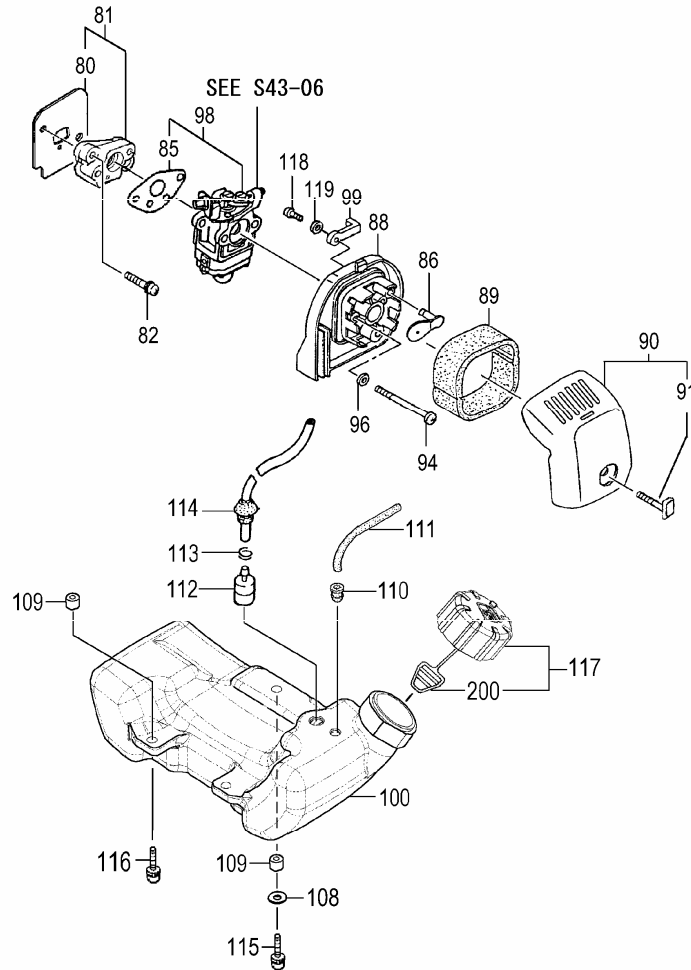
TED-270LS CRANK CASE



REF. NUMBER	PARTS NUMBER	DESCRIPTION	Q'TY	SERIAL NUMBER
019	330-00200-23	GEAR SHAFT SHIM 0.20	V	
019	330-00200-24	GEAR SHAFT SHIM 0.30	V	
024	155-21012-81	MAGNETO ROTOR COMP.	1	
025	991-01080-011	HEX. NUT 8	1	
027	992-01080-011	WASHER 8	1	
031	072-03045-93	CRANK CASE ASS'Y	1	
032	999-66122-200	OIL SEAL TB 12227	2	
033	999-61600-115	BALL BEARING 6001 C3	2	
034	090-07350-22	CRANK CASE GASKET	1	
036	994-61050-164	HEX. HOLE BOLT 5X16S	4	

S43-03

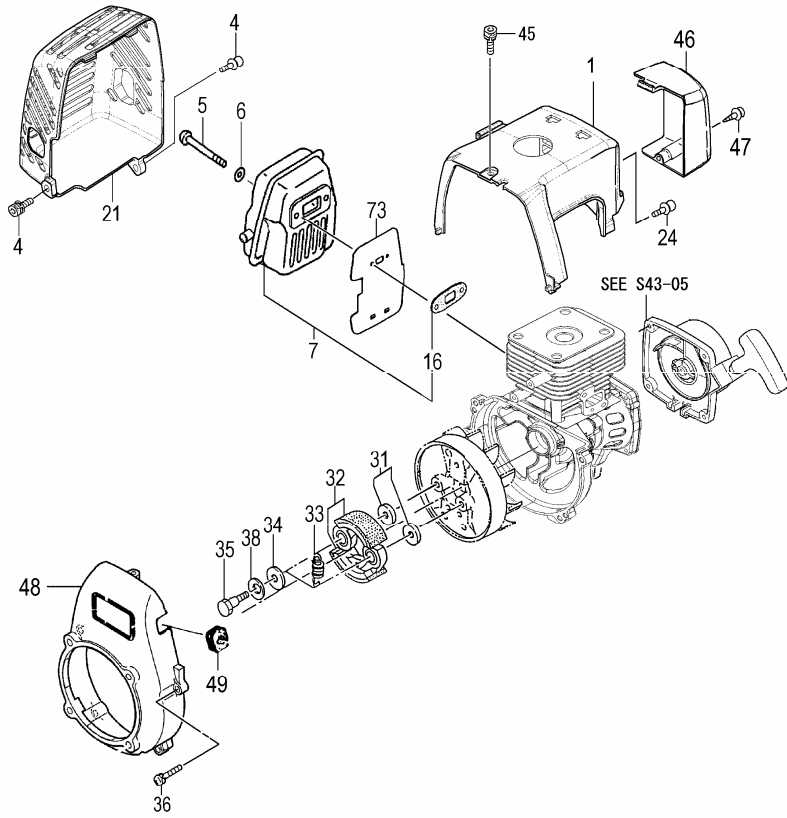
TED-270LS ENGINE-1



REF. NUMBER	PARTS NUMBER	DESCRIPTION	Q'TY	SERIAL NUMBER
080	403-07020-21	INLET MANIFOLD GASKET	1	
081	404-07020-91	INSULATOR SET	1	
082	994-64050-254	HEX. HOLE BOLT 5X25WS	2	
085	402-0602K-21	CARBURETOR GASKET	1	
086	528-07355-22	CHOKE LEVER 1.5	1	
088	423-0652N-80	CLEANER BODY COMP.	1	
089	446-0652N-20	CLEANER SPONGE	1	
090	452-07035-90	CLEANER COVER ASS'Y	1	
091	450-07024-80	COVER FIXING BOLT	1	
094	994-14050-571	SCREW 5X57/S	2	
096	992-00050-011	SMALL WASHER 5	2	
098	455-07355-90	CABURETOR SET WYJ-431	1	
099	523-0652N-20	CHOKE CONTROL LEVER	1	
100	591-07355-22	TANK ORG	1	
108	368-32350-20	BRAKE SHAFT WASHER	1	
109	659-00801-20	COLLAR 5.8	3	
110	534-32710-20	RETURN GROMMET	1	
111	700-03005-06	FUEL PIPE 3X5X60	1	
112	675-04042-80	PUMP FILTER BODY COMP.	1	
113	680-00731-20	CLIP, 6.3 DIA.	1	
114	223-0097A-90	FUEL PIPE ASS'Y	1	
115	994-63050-204	HEX.HOLE BOLT 5X20PS	1	
116	994-63050-164	HEX.HOLE BOLT 5X16/PS	2	
117	595-01690-90	TANK CAP ASS'Y (BLACK)	1	
118	993-49040-142	TAP SCREW 4X14 P	1	
119	992-01040-011	WASHER 4	1	
200	626-32550-20	TANK CAP CHAIN	1	

S43-04

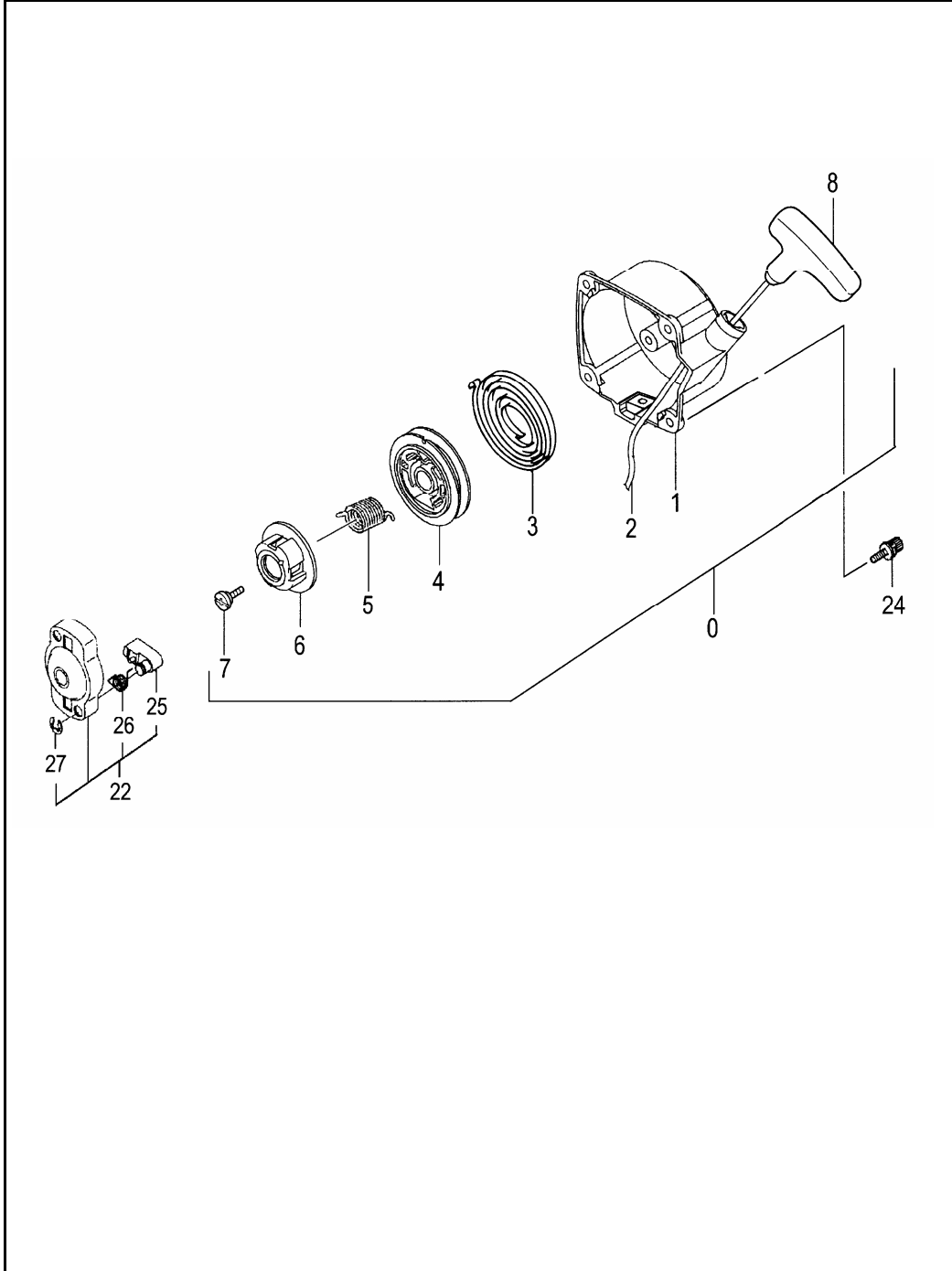
TED-270LS ENGINE-2



REF. NUMBER	PARTS NUMBER	DESCRIPTION	Q'TY	SERIAL NUMBER
001	016-07350-20	CYLINDER COVER	1	
004	994-63050-164	HEX.HOLE BOLT 5X16/PS	2	
005	990-51060-553	HEX HOLE BOLT 6X55	2	
006	992-01060-011	WASHER 6	2	
007	704-0735A-90	MUFFLER SET	1	
016	737-0165A-20	MUFFLER GASKET	1	
021	738-0735A-20	MUFFLER PROTECTOR OR	1	
024	994-64040-185	HEX. HOLE BOLT 4X18WS	2	
031	359-02103-20	CLUTCH WASHER B	2	
032	290-01620-80	CLUTCH SHOE COMP.	2	
033	342-0630B-20	CLUTCH SPRING	1	
034	348-0630A-20	CLUTCH PLATE A 0.5	2	
035	357-0075T-20	STEP BOLT	2	
036	994-64050-184	HEX.HOLE BOLT 5X18/WS	3	
038	992-05080-030	BENT WASHER 8	2	
045	994-63040-154	HEX.HOLE BOLT 4X15/PS	1	
046	132-0735A-20	DEFLECTOR	1	
047	993-48040-142	TAPPING SCREW 4X14P	1	
048	112-07365-80	FAN CASE COMP	1	
049	203-11660-20	PRIMARY CORD GROMMET	1	
073	133-07350-20	HEAT SHIELD	1	

S43-05

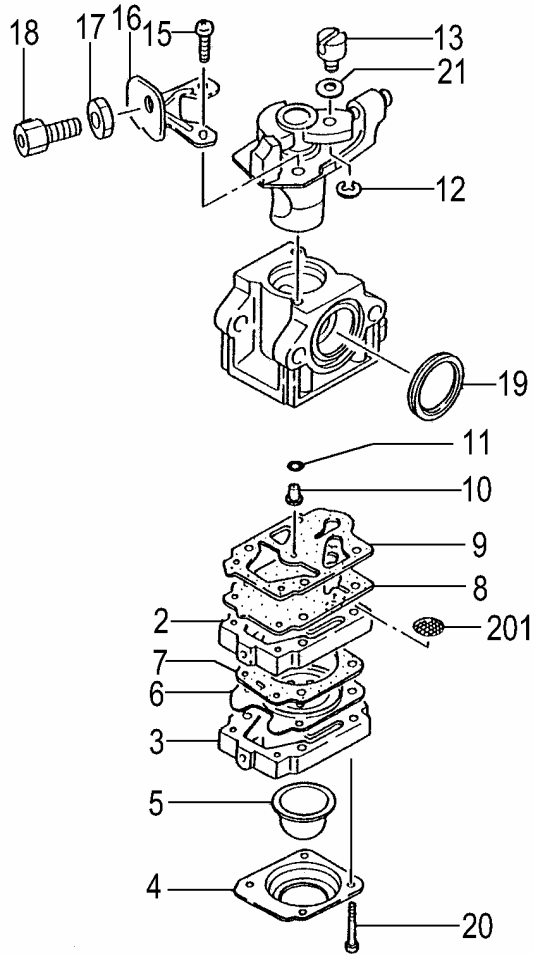
TED-270LS RECOIL STARTER



REF. NUMBER	PARTS NUMBER	DESCRIPTION	Q'TY	SERIAL NUMBER
000	762-07350-90	RECOIL STARTER BODY AS	1	
001	772-07350-80	RECOIL STARTER BODY CO	1	
002	783-0720F-20	STARTER ROPE 3.5X860	1	
003	780-06097-20	RECOIL SPRING	1	
004	774-0720F-20	STARTER ROPE REEL	1	
005	758-0651H-20	DUMPER SPRING	1	
006	759-0651H-20	CAM PLATE	1	
007	839-03045-20	SET SCREW	1	
008	785-03045-20	STARTER HANDLE	1	
022	798-0651H-90	STARTER PULLEY ASS'Y	1	
024	994-64040-185	HEX. HOLE BOLT 4X18WS	2	
025	788-0651H-20	STARTER PAWL	2	
026	790-06097-20	STARTER PAWL SPRING	2	
027	993-55050-000	STOP RING E-5	2	

S43-06

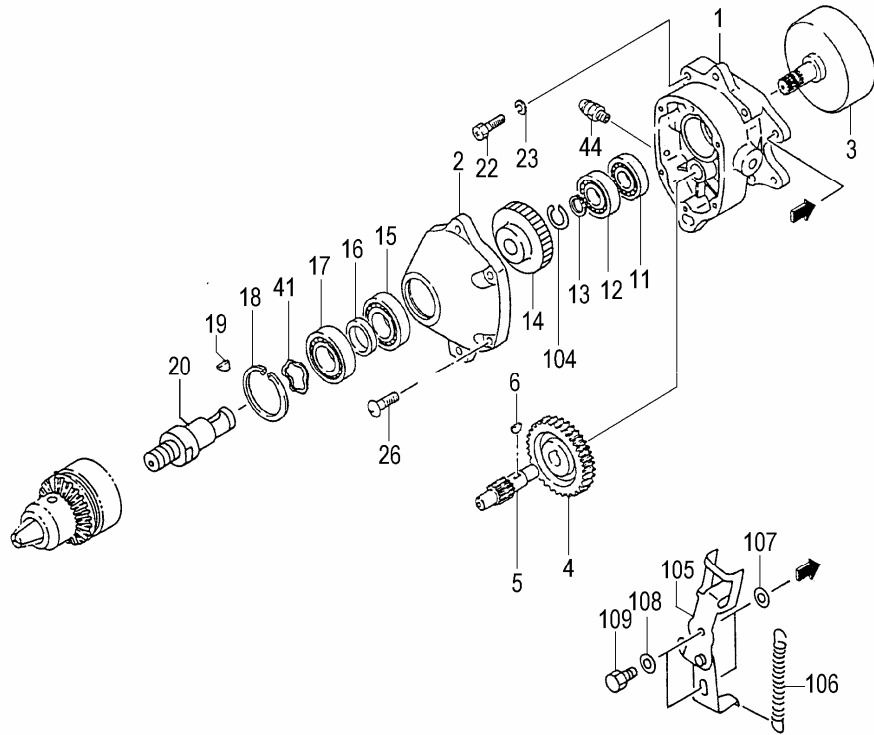
TED-270LS CARBURETOR



REF. NUMBER	PARTS NUMBER	DESCRIPTION	Q'TY	SERIAL NUMBER
002	575-25153-80	PUMP BODY COMP	1	
003	442-25151-80	PRIMING PUMP COMP.	1	
004	476-25151-20	DIAPHRAGM COVER	1	
005	447-25108-20	PRIMING BODY	1	
006	474-25241-80	METERING DIAPHRAGM CO	1	
007	475-25153-20	DIAPHRAGM GASKET	1	
008	576-25100-20	PUMP DIAPHRAGM	1	
009	577-25292-20	PUMP GASKET	1	
010	599-2000W-42	MAIN JET #42	1	
011	550-25100-20	O-RING	1	
012	489-25100-20	STOP RING	1	
013	539-25120-20	SWIVEL	1	
015	514-25100-20	THROTTLE SET SCREW	2	
016	544-25164-20	CABLE ADJUSTER STAY	1	
017	613-25100-20	CABLE ADJUST NUT	1	
018	614-25137-20	CABLE ADJUSTER	1	
019	431-0634C-20	CLEANER PACKING	1	
020	548-25151-20	SET SCREW	4	
021	549-25165-20	THRUST WASHER	1	
201	578-25007-20	INLET SCREEN	1	

S43-07

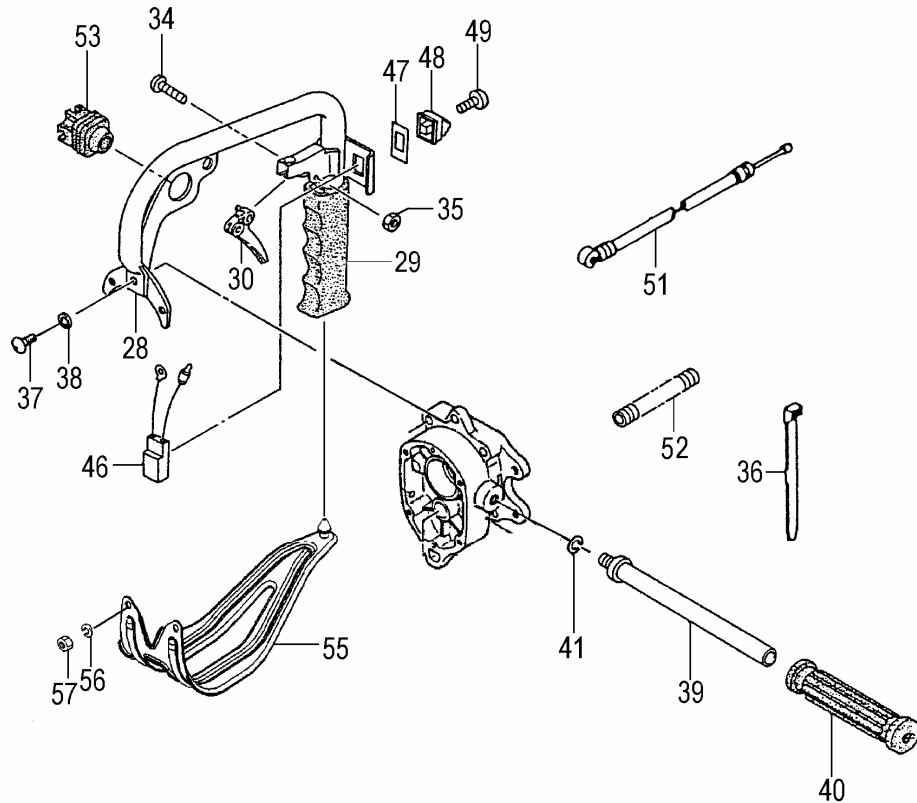
TED-270LS GEAR CASE



REF. NUMBER	PARTS NUMBER	DESCRIPTION	Q'TY	SERIAL NUMBER
001	002-32182-80	GEAR CASE A COMP.	1	
002	006-3210A-80	GEAR CASE B COMP.	1	
003	226-71010-80	CLUTCH HOUSING COMP.	1	
004	012-32191-20	GEAR 2	1	
005	016-32120-21	GEAR 3	1	
006	068-00300-20	WOOD-RUFF KEY 3X10X3.7	1	
011	999-61600-102	BALL BEARING #6001Z, 28M	1	
012	999-61600-110	BALL BEARING #16001	1	
013	993-50011-002	STOP RING C 11, OUTER	1	
014	018-32192-20	GEAR 4	1	
015	999-61720-221	BALL BEARING #7202B, 35M	1	
016	040-32120-20	BEARING WASHER	1	
017	999-61620-202	BALL BEARING #6202Z, 35M	1	
018	993-51035-002	STOP RING C-35, INNER	1	
019	068-01006-20	WOOD-RUFF KEY 3X13X5	1	
020	022-32183-20	DRIVE SHAFT	1	
022	990-23060-301	PLUS BOLT 6X30	2	
023	992-10060-012	S.WASHER 6	2	
026	994-14050-181	SCREW 5X18/S	4	
041	992-09350-030	WAVE WASHER B.B 35	1	
044	300-32250-80	GREASE NIPPLE COMP.	1	
104	993-50013-002	STOP RING C-13, OUTER	1	
105	405-32182-81	LOCK LEVER COMP.	1	
106	406-32182-20	LOCK LEVER SPRING	1	
107	182-01700-20	SPECIAL WASHER	2	
108	992-01070-011	WASHER 7	2	
109	793-10200-20	STEP BOLT	2	

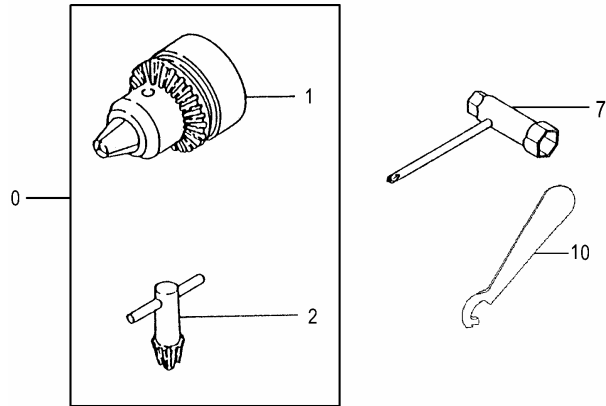
S43-08

TED-270LD HANDLE



REF. NUMBER	PARTS NUMBER	DESCRIPTION	Q'TY	SERIAL NUMBER
028	258-3210A-82	HANDLE COMP A	1	
029	165-33130-20	HANDLE GRIP A	1	
030	101-32120-20	THROTTLE LEVER	1	
034	990-11050-251	SCREW 5X25	1	
035	991-01050-011	HEX. NUT 5	1	
036	198-33130-20	CORD CLAMP	2	
037	990-23060-161	PLUS BOLT 6X16	1	
038	992-10060-012	S.WASHER 6	1	
039	259-3210A-80	HANDLE COMP. B	1	
040	055-32130-20	HANDLE GRIP	1	
041	992-10100-012	S.WASHER 10	1	
046	156-3210A-80	STOP SWITCH COMP.	1	
047	925-33176-20	STOP BUTTON MARK	1	
048	258-11650-20	BUTTON STOP	1	
049	994-31030-101	SCREW 3X10	1	
051	885-71010-80	THROTTLE WIRE 370+45.5	1	
052	164-07029-00	CORRUGATED TUBE 7X290L	1	
053	155-3210A-20	CHUCK HANDLE HOLDER	1	
055	265-71000-80	HANDLE SUPPORT COMP.	1	
056	992-10060-012	S.WASHER 6	2	
057	991-01060-011	NUT 6	2	

S43-09 TED-270LS ACCESSORIES/TOOLS



REF. NUMBER	PARTS NUMBER	DESCRIPTION	Q'TY	SERIAL NUMBER
000	059-32120-91	CHUCK HANDLE SET	1	
001	060-32120-91	DRILL CHUCK ASS'Y	1	
002	061-32120-81	CHUCK HANDLE COMP.	1	
007	036-29710-10	COMBI BOX PLUS	1	
010	845-20000-20	SPECIAL WRENCH 31	1	