

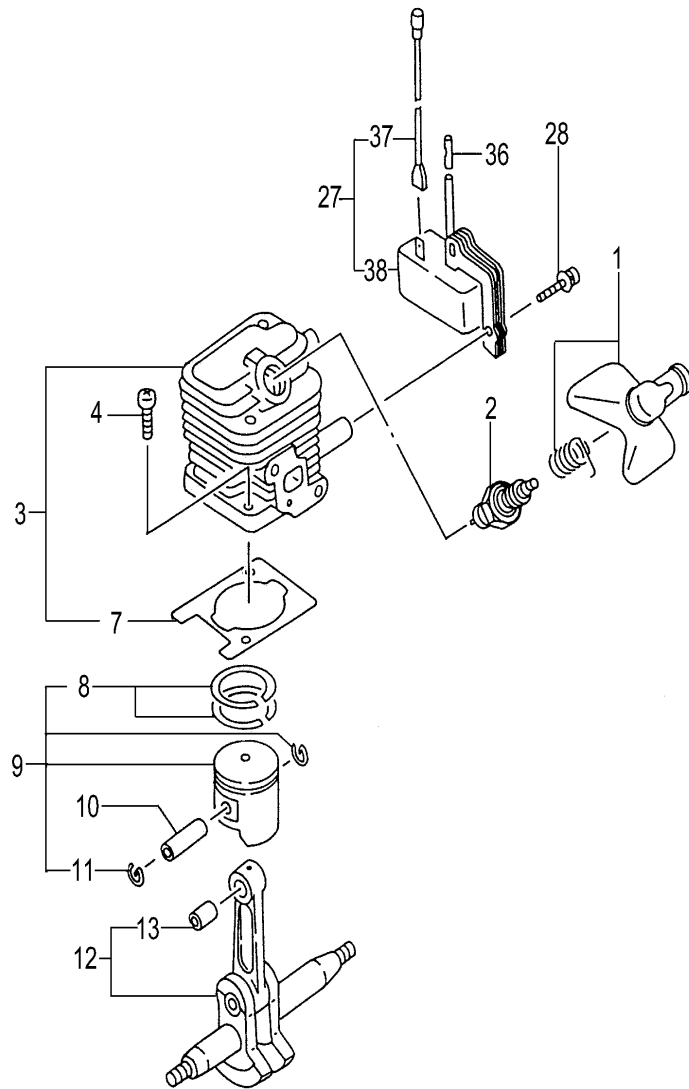
H05

Tanaka

THT-2510/B/S

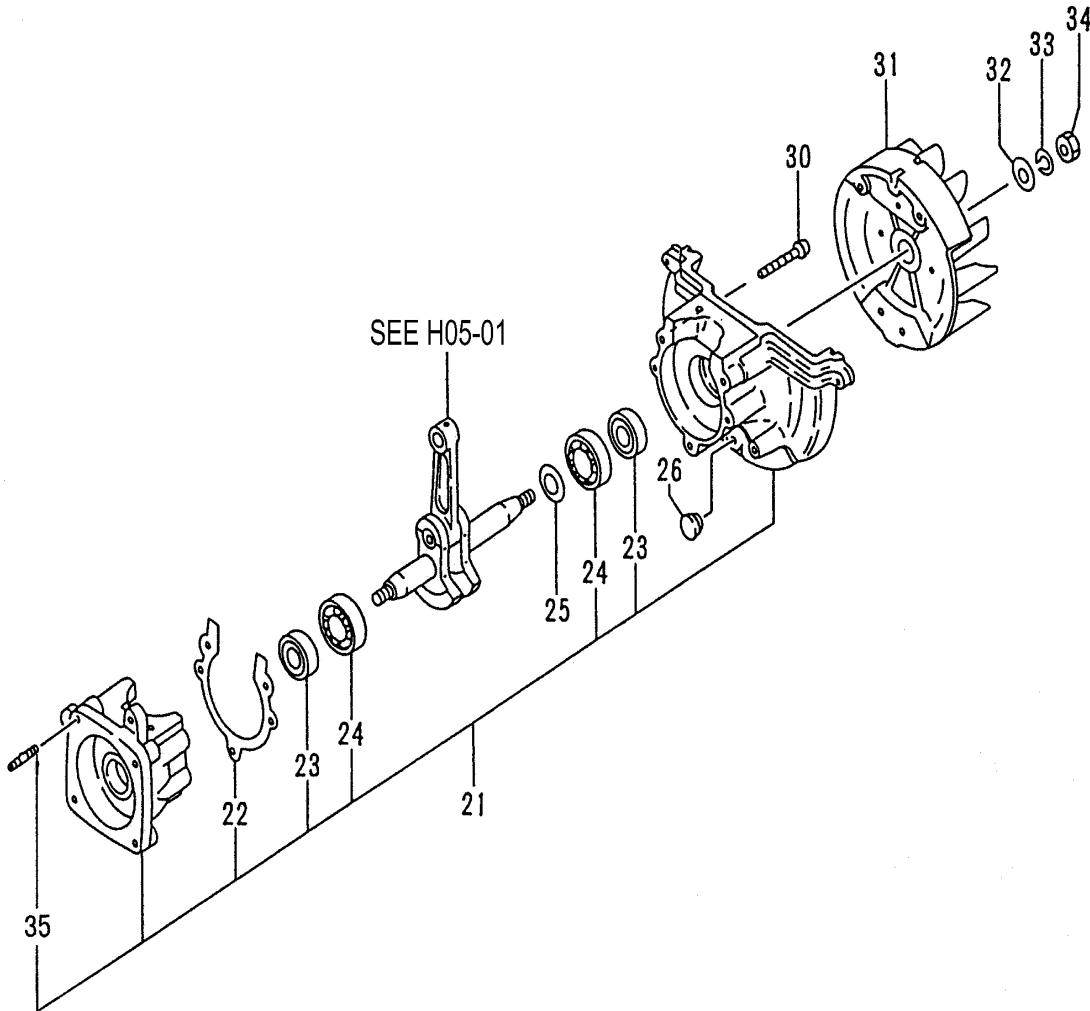
Serial No. -B036000

H05-01 THT-2510/B/S CYLINDER/PISTON/CRANK SHAFT



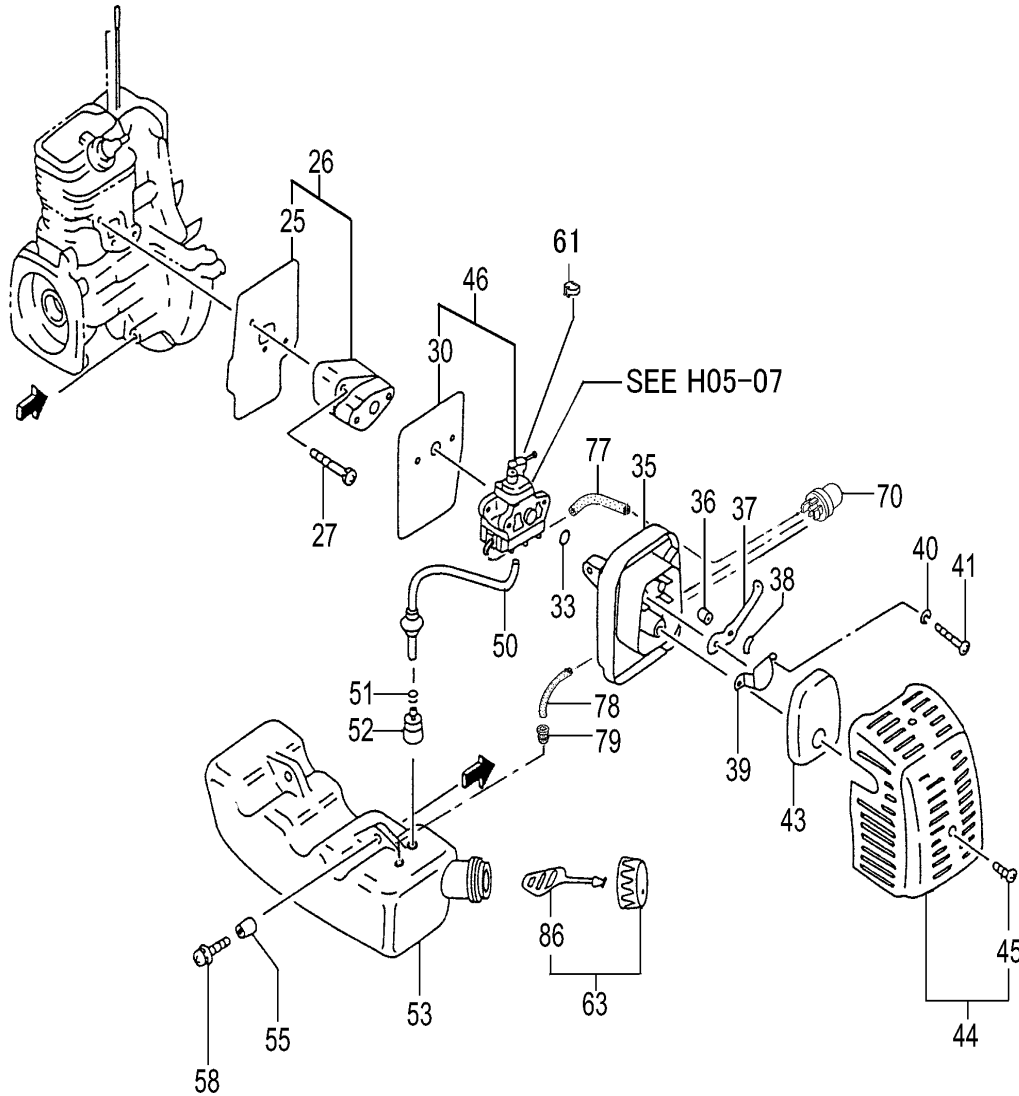
| REF. NUMBER | PARTS NUMBER | Q'TY | SERIAL NUMBER |
|-------------|---------------|------|---------------|
| 001 | 157-06500-91 | 1 | |
| 002 | 018-00555-20 | 1 | |
| 003 | 001-06600-90 | 1 | |
| 004 | 994-61050-184 | 2 | |
| 007 | 017-06500-20 | 1 | |
| 008 | 041-01601-20 | 2 | |
| 009 | 030-06600-90 | 1 | |
| 010 | 037-07045-20 | 1 | |
| 011 | 039-01620-20 | 2 | |
| 012 | 046-06500-80 | 1 | |
| 013 | 999-62081-225 | 1 | |
| 027 | 153-21532-90 | 1 | |
| 028 | 994-64040-184 | 2 | |
| 036 | 250-06500-20 | 1 | |
| 037 | 178-06500-80 | 1 | |
| 038 | 167-21532-80 | 1 | |

H05-02 THT-2510/B/S CRANK CASE



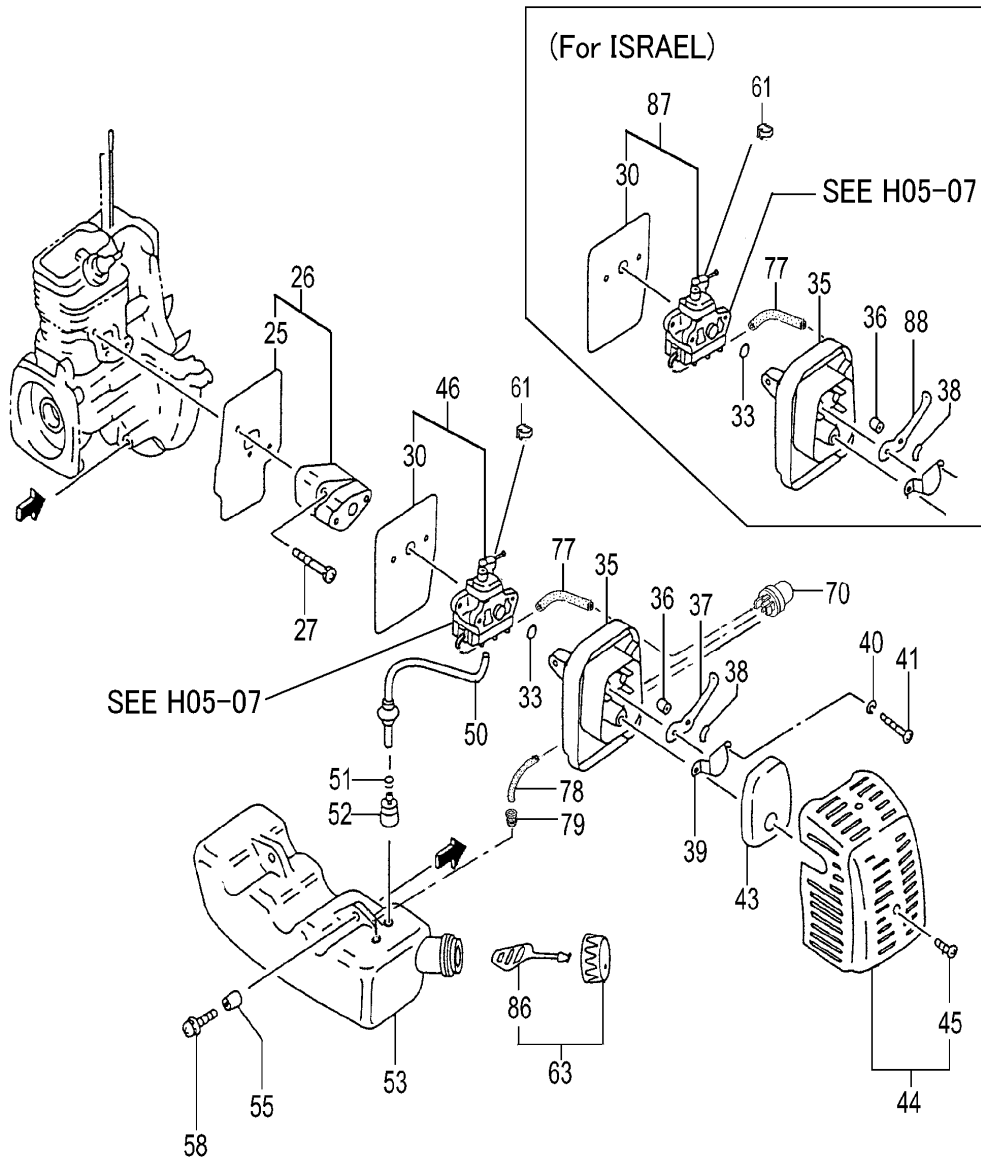
| REF. NUMBER | PARTS NUMBER | Q'TY | SERIAL NUMBER |
|-------------|---------------|------|---------------|
| 021 | 072-06500-90 | 1 | |
| 022 | 090-06500-20 | 1 | |
| 023 | 999-66122-200 | 2 | |
| 024 | 999-61600-115 | 2 | |
| 025 | 330-00200-21 | V | |
| 025 | 330-00200-22 | V | |
| 025 | 330-00200-23 | V | |
| 025 | 330-00200-24 | V | |
| 026 | 599-00601-20 | 1 | |
| 030 | 994-61050-304 | 3 | |
| 031 | 155-21523-80 | 1 | |
| 032 | 992-01080-011 | 1 | |
| 033 | 992-10080-012 | 1 | |
| 034 | 991-01080-011 | 1 | |
| 035 | 100-02100-20 | 2 | |

H05-03 THT-2510/B/S ENGINE-1(SERIAL NO.-B032540)



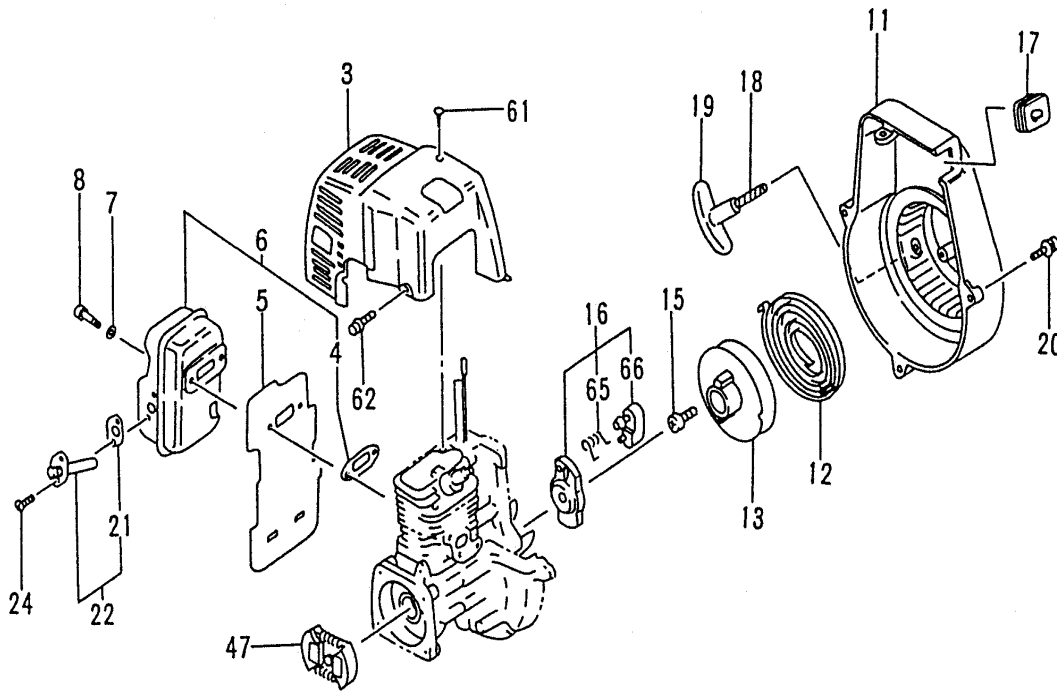
| REF. NUMBER | PARTS NUMBER | Q'TY | SERIAL NUMBER |
|-------------|---------------------|----------|------------------|
| 025 | 403-06500-20 | 1 | |
| 026 | 404-06500-90 | 1 | |
| 027 | 994-64050-254 | 2 | |
| 030 | 402-06500-20 | 1 | |
| 033 | 999-67015-000 | 1 | |
| 035 | 423-06500-81 | 1 | |
| 036 | 470-06500-20 | 2 | |
| 037 | 528-06500-20 | 1 | |
| 038 | 992-04080-031 | 1 | |
| 039 | 476-01700-20 | 1 | |
| 040 | 992-10050-012 | 2 | |
| 041 | 990-11050-602 | 2 | |
| 043 | 446-06500-21 | 1 | |
| 044 | 452-06600-91 | 1 | |
| 045 | 380-0637C-20 | 1 | |
| 046 | 455-06500-90 | 1 | - U025150 |
| 046 | 455-0651E-90 | 1 | - U050517 |
| 046 | 455-06504-90 | 1 | U050518 - |
| 050 | 223-06500-90 | 1 | |
| 051 | 680-00731-20 | 1 | |
| 052 | 675-04042-80 | 1 | |
| 053 | 591-06500-21 | 1 | - U050517 |
| 053 | 591-06504-21 | 1 | U050518 - |
| 055 | 659-00801-20 | 2 | |
| 058 | 994-63050-185 | 2 | |
| 061 | 560-07120-20 | 1 | A138651 - |
| 063 | 595-00093-90 | 1 | |
| 070 | 442-25143-80 | 1 | U050518 - |
| 077 | 700-02504-08 | 1 | U050518 - |
| 078 | 700-02504-07 | 1 | U050518 - |
| 079 | 534-32710-20 | 1 | U050518 - |
| 086 | 626-32550-20 | 1 | |

H05-04 THT-2510/B/S ENGINE-1(SERIAL NOB032541-)



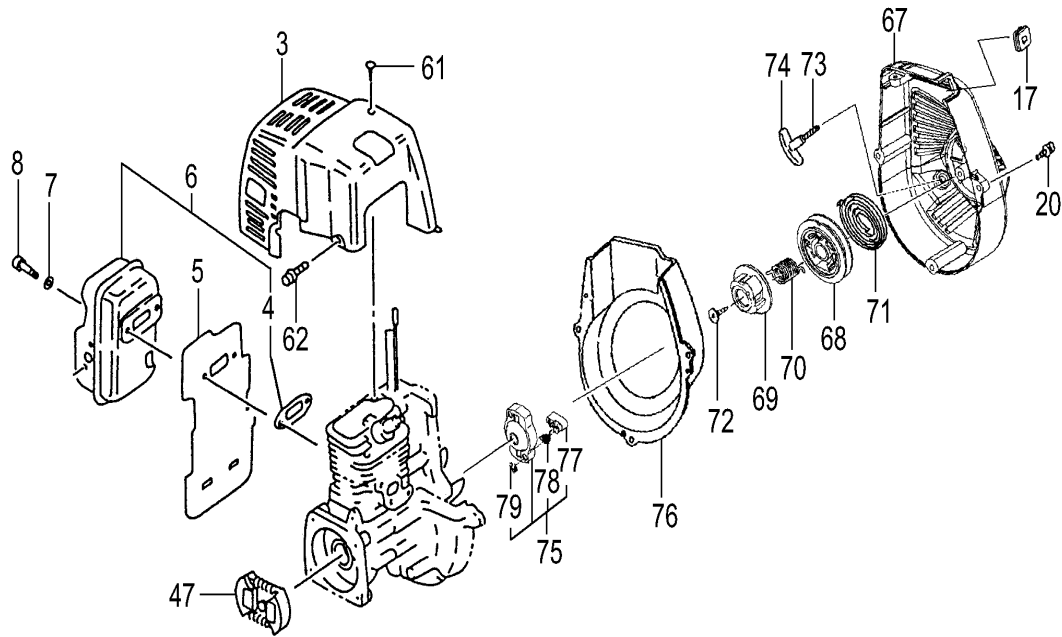
| REF. NUMBER | PARTS NUMBER | Q'TY | SERIAL NUMBER |
|-------------|---------------|------|---------------|
| 025 | 403-06500-20 | 1 | |
| 026 | 404-06500-90 | 1 | |
| 027 | 994-64050-254 | 2 | |
| 030 | 402-06500-20 | 1 | |
| 033 | 999-67015-000 | 1 | |
| 035 | 423-06500-81 | 1 | |
| 036 | 470-06500-20 | 2 | |
| 037 | 528-0650T-20 | 1 | |
| 038 | 992-04080-031 | 1 | |
| 039 | 476-01700-20 | 1 | |
| 040 | 992-10050-012 | 2 | |
| 041 | 990-11050-602 | 2 | |
| 043 | 446-06500-21 | 1 | |
| 044 | 452-06600-91 | 1 | |
| 045 | 380-0637C-20 | 1 | |
| 046 | 455-06504-90 | 1 | |
| 050 | 223-06500-90 | 1 | |
| 051 | 680-00731-20 | 1 | |
| 052 | 675-04042-80 | 1 | |
| 053 | 591-06504-22 | 1 | |
| 055 | 659-00801-20 | 2 | |
| 058 | 994-63050-185 | 2 | |
| 061 | 560-07120-20 | 1 | |
| 063 | 595-00093-90 | 1 | |
| 070 | 442-25143-80 | 1 | |
| 077 | 700-02504-08 | 1 | |
| 078 | 700-02504-07 | 1 | |
| 079 | 534-32710-20 | 1 | |
| 086 | 626-32550-20 | 1 | |
| 087 | 455-06504-90 | 1 | |
| 088 | 528-06500-20 | 1 | |

H05-05 THT-2510/B ENGINE-2



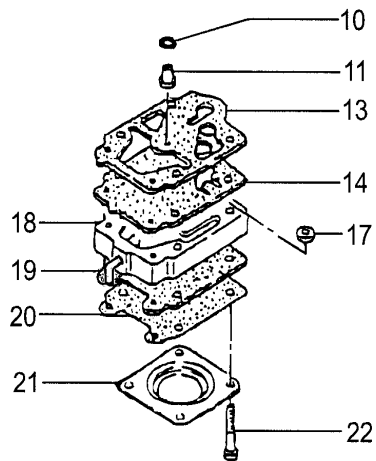
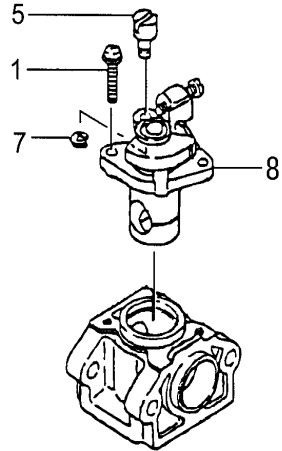
| REF. NUMBER | PARTS NUMBER | Q'TY | SERIAL NUMBER |
|-------------|---------------|------|---------------|
| 003 | 738-06600-20 | 1 | |
| 004 | 737-06500-20 | 1 | |
| 005 | 133-06500-20 | 1 | |
| 006 | 704-06504-91 | 1 | |
| 007 | 992-01050-011 | 2 | |
| 008 | 990-51050-503 | 2 | |
| 011 | 112-06500-80 | 1 | |
| 012 | 780-06097-20 | 1 | |
| 013 | 774-06097-20 | 1 | |
| 015 | 839-02010-20 | 1 | |
| 016 | 798-06500-90 | 1 | |
| 017 | 203-0604A-20 | 1 | |
| 018 | 783-06097-20 | 1 | |
| 019 | 785-06410-20 | 1 | |
| 020 | 994-63040-154 | 3 | |
| 021 | 751-06500-20 | 1 | - W048477 |
| 022 | 721-06600-90 | 1 | - W048477 |
| 024 | 994-14040-081 | 2 | - W048477 |
| 047 | 277-0634F-90 | 1 | |
| 061 | 990-72045-164 | 1 | |
| 062 | 994-25040-128 | 2 | |
| 065 | 790-06097-20 | 1 | |
| 066 | 788-06500-20 | 1 | |

H05-06 THT-2510S ENGINE-2

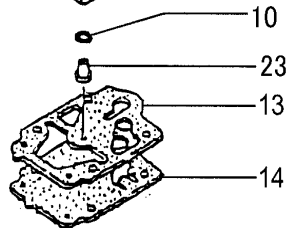
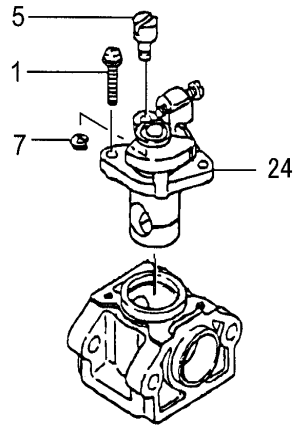


| REF. NUMBER | PARTS NUMBER | Q'TY | SERIAL NUMBER |
|-------------|---------------|------|---------------|
| 003 | 738-06600-20 | 1 | |
| 004 | 737-06500-20 | 1 | |
| 005 | 133-06500-20 | 1 | |
| 006 | 704-06504-91 | 1 | |
| 007 | 992-01050-011 | 2 | |
| 008 | 990-51050-503 | 2 | |
| 017 | 203-0604A-20 | 1 | |
| 020 | 994-63040-184 | 3 | |
| 047 | 277-0634F-90 | 1 | |
| 061 | 990-72045-164 | 1 | |
| 062 | 994-25040-128 | 2 | |
| 067 | 112-0651H-80 | 1 | |
| 068 | 774-0651H-20 | 1 | |
| 069 | 759-0651H-20 | 1 | |
| 070 | 758-0651H-20 | 1 | |
| 071 | 780-06097-20 | 1 | |
| 072 | 839-03045-20 | 1 | |
| 073 | 783-0651H-20 | 1 | |
| 074 | 785-06410-20 | 1 | |
| 075 | 798-0651H-90 | 1 | |
| 076 | 132-06602-20 | 1 | |
| 077 | 788-0651H-20 | 2 | |
| 078 | 790-06097-20 | 2 | |
| 079 | 993-55050-000 | 2 | |

H05-07 THT-2510/B/S CARBURETOR

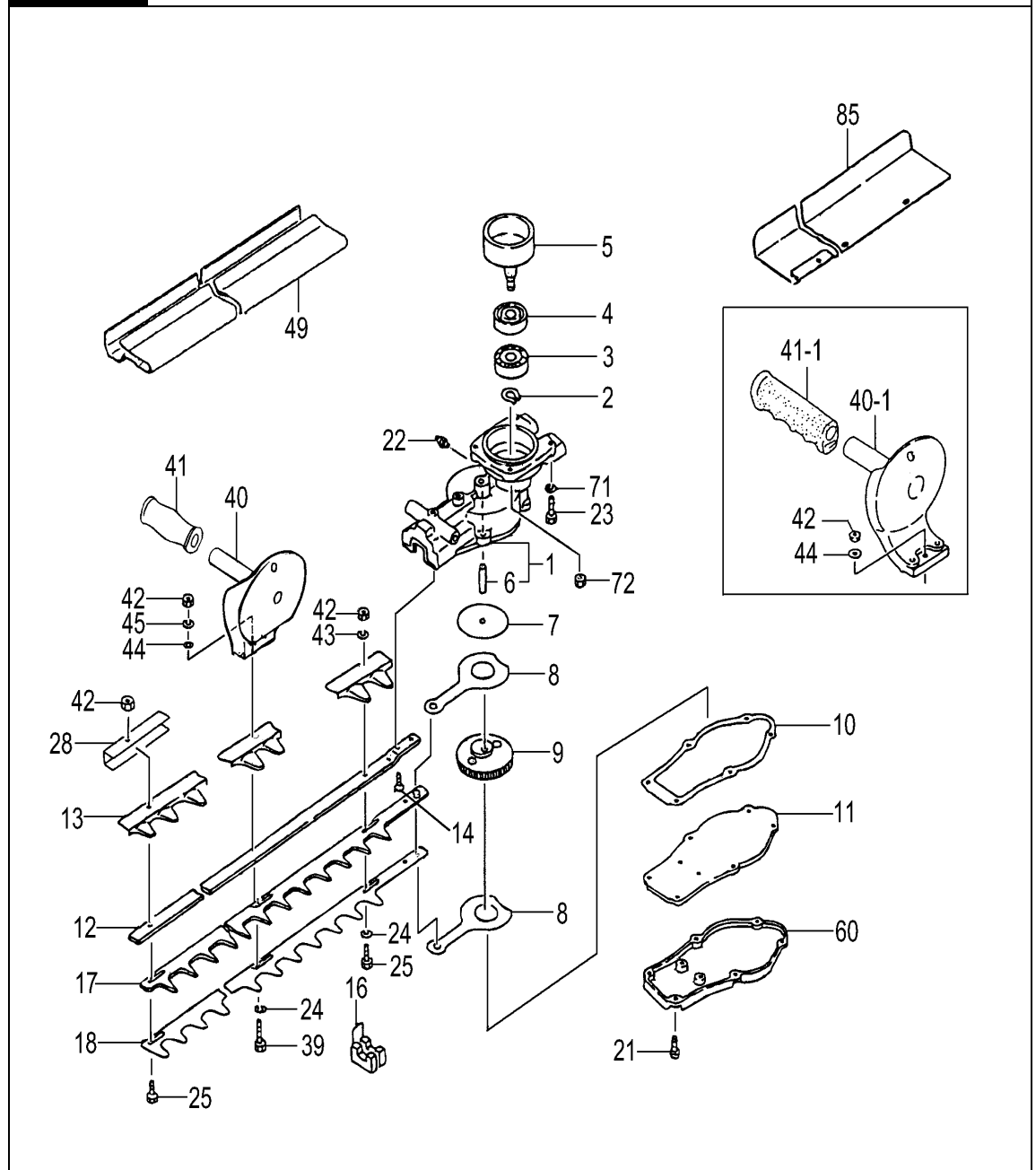


(For ISRAEL)



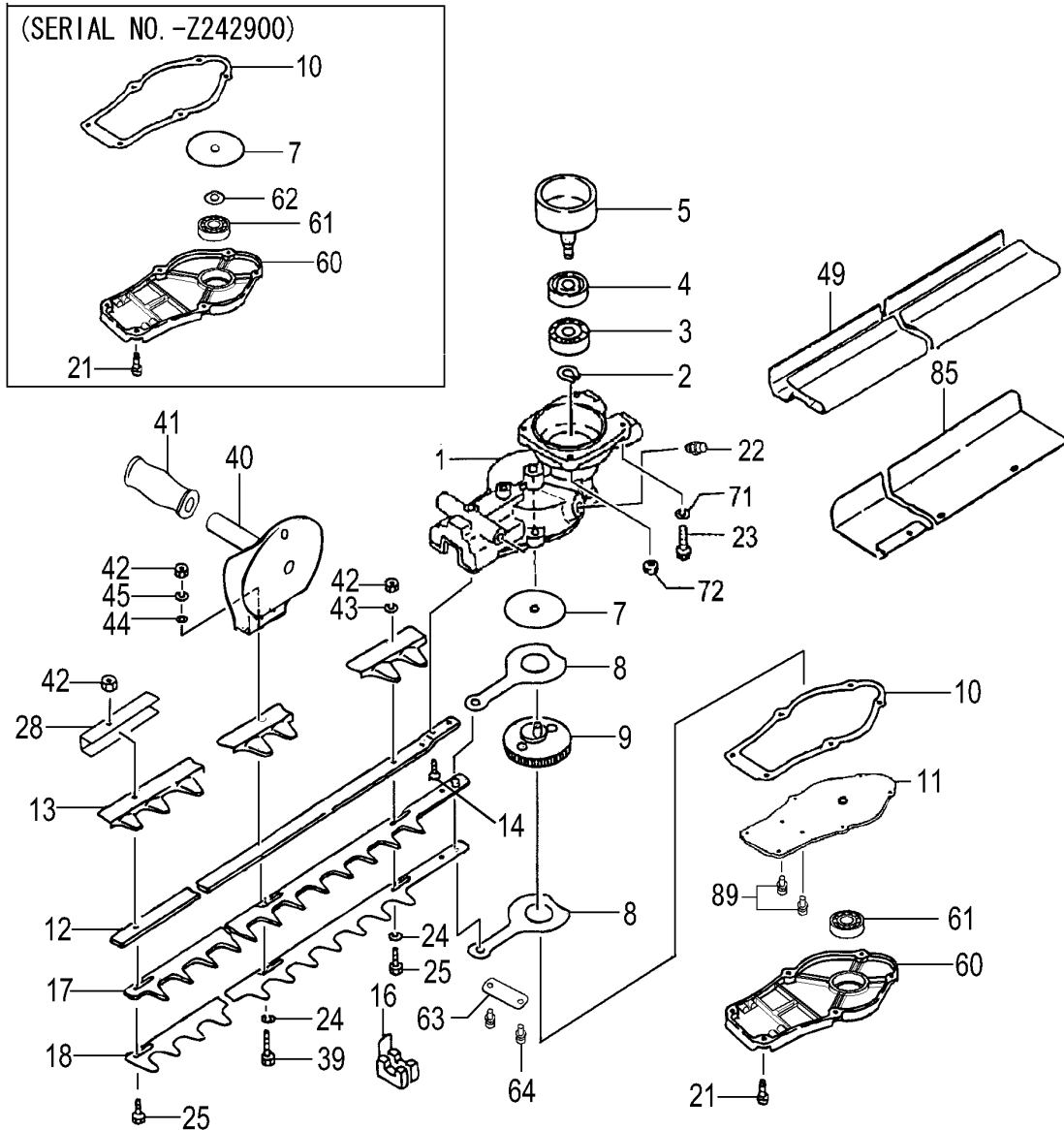
| REF. NUMBER | PARTS NUMBER | Q'TY | SERIAL NUMBER |
|-------------|---------------------|----------|------------------|
| 001 | 548-25140-20 | 2 | |
| 005 | 539-25120-20 | 1 | |
| 007 | 489-25100-20 | 1 | |
| 008 | 488-25145-80 | 1 | - B032541 |
| 010 | 550-25100-20 | 1 | |
| 011 | 599-2001W-35 | 1 | - U025150 |
| 011 | 599-200AW-41 | 1 | - U050517 |
| 011 | 599-2000W-40 | 1 | - B032540 |
| 011 | 599-200BW-34 | 1 | B032541 - |
| 013 | 577-25100-20 | 1 | |
| 014 | 576-25100-20 | 1 | |
| 017 | 578-25007-20 | 1 | |
| 018 | 575-25182-80 | 1 | - U025150 |
| 018 | 575-25152-80 | 1 | - U050517 |
| 018 | 575-25147-80 | 1 | U050518 - |
| 019 | 475-25001-20 | 1 | - U050517 |
| 019 | 475-25038-20 | 1 | U050518 - |
| 020 | 474-25001-80 | 1 | |
| 021 | 476-25004-20 | 1 | |
| 022 | 548-25101-20 | 4 | |
| 023 | 599-2000W-40 | 1 | |
| 024 | 488-25145-80 | 1 | |

H05-08 THT-2510/B GEAR CASE / BLADE(SERIAL NO.-Z039850



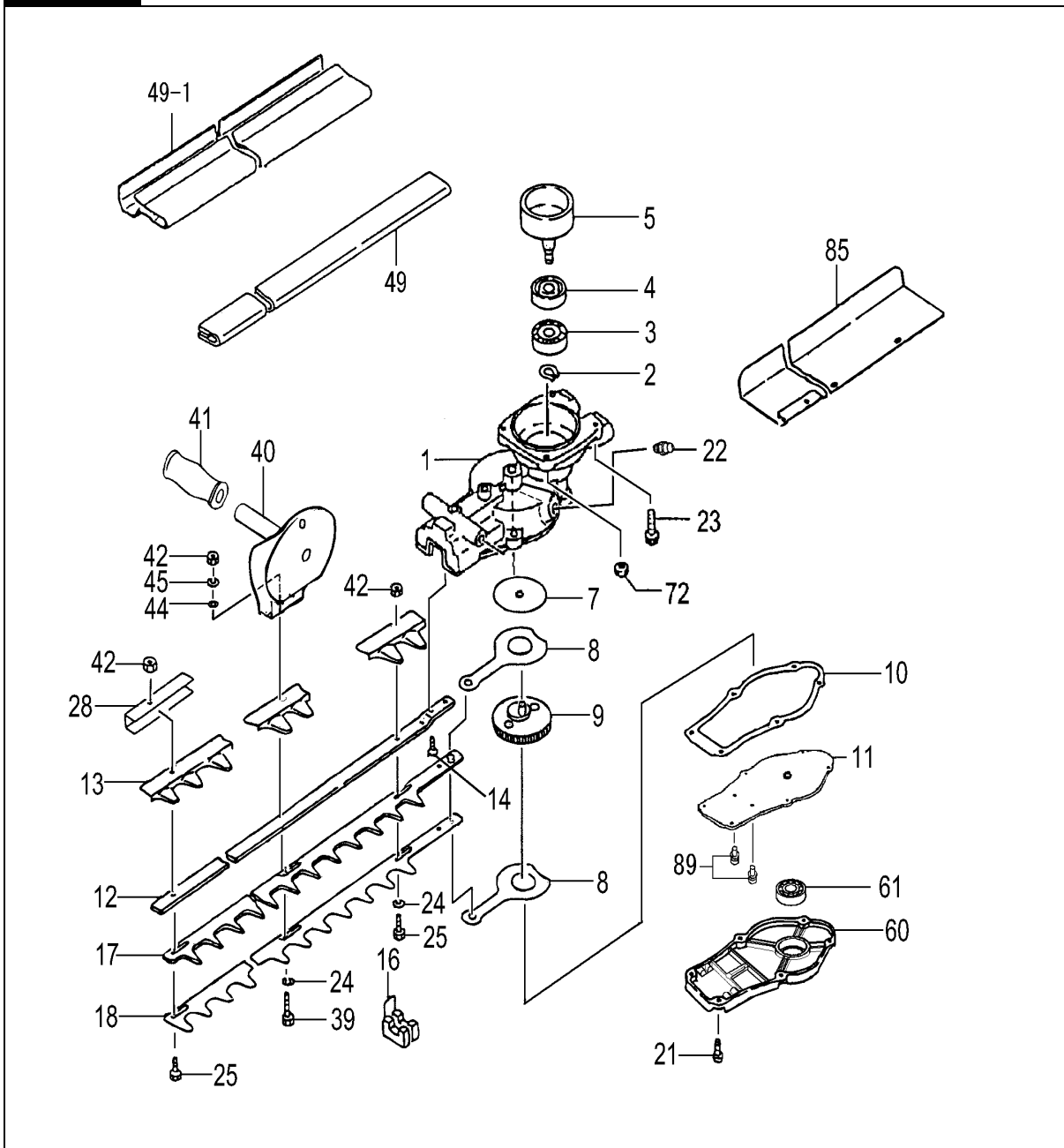
| REF. NUMBER | PARTS NUMBER | Q'TY | SERIAL NUMBER |
|-------------|---------------|------|---------------|
| 001 | 300-3318B-81 | 1 | |
| 002 | 993-50015-002 | 1 | |
| 003 | 999-61600-200 | 1 | |
| 004 | 999-61600-202 | 1 | |
| 005 | 288-33180-80 | 1 | |
| 006 | 305-33160-20 | 1 | |
| 007 | 075-33160-20 | 2 | |
| 008 | 101-33190-20 | 2 | |
| 009 | 307-33180-20 | 1 | |
| 010 | 303-33160-20 | 1 | |
| 011 | 630-33160-20 | 1 | |
| 012 | 122-33180-21 | 1 | |
| 013 | 136-3318B-20 | 1 | |
| 014 | 990-52060-165 | 2 | |
| 016 | 085-33160-20 | 2 | |
| 017 | 121-3315A-20 | 1 | |
| 018 | 120-3315A-20 | 1 | |
| 021 | 994-61040-124 | 6 | |
| 022 | 300-32250-80 | 1 | |
| 023 | 990-51060-143 | 2 | |
| 024 | 129-33202-20 | 4 | |
| 025 | 124-33202-21 | 4 | |
| 028 | 128-37904-20 | 1 | |
| 039 | 125-33202-20 | 1 | |
| 040,1 | 051-3318B-80 | 1 | - V085638 |
| 040 | 051-33185-81 | 1 | V085639 - |
| 041,1 | 165-33130-20 | 1 | - V085638 |
| 041 | 165-37590-20 | 1 | V085639 - |
| 042 | 123-33202-20 | 5 | |
| 043 | 992-01060-011 | 4 | |
| 044 | 992-01060-011 | 1 | |
| 045 | 992-10060-012 | 1 | V085639 - |
| 049 | 138-3318B-21 | 1 | |
| 060 | 301-33160-20 | 1 | |
| 071 | 992-10060-012 | 2 | |
| 072 | 994-40060-011 | 2 | |
| 085 | 350-33210-20 | 1 | |

H05-09 THT-2510/B GEAR CASE / BLADE(SERIAL NO.-A052150)



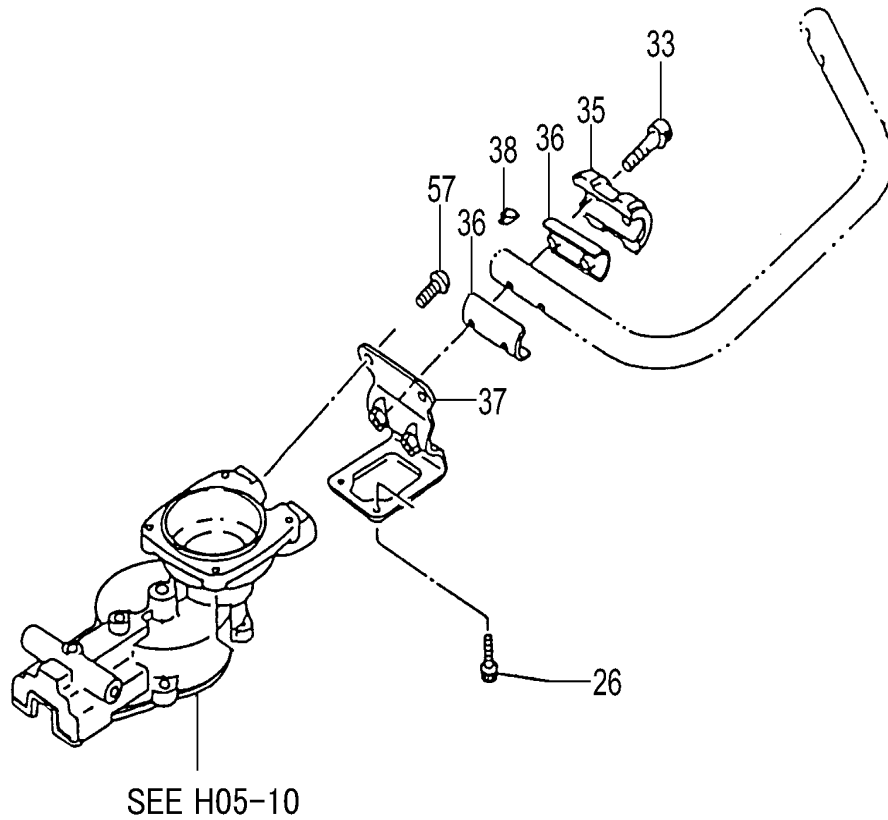
| REF. NUMBER | PARTS NUMBER | Q'TY | SERIAL NUMBER |
|-------------|---------------|------|---------------|
| 001 | 300-33195-80 | 1 | |
| 002 | 993-50015-002 | 1 | |
| 003 | 999-61600-200 | 1 | |
| 004 | 999-61600-202 | 1 | |
| 005 | 288-33180-80 | 1 | |
| 007 | 075-33160-20 | 2 | - Z242900 |
| 007 | 075-33160-20 | 1 | Z242901 - |
| 008 | 101-33190-20 | 2 | |
| 009 | 292-33194-80 | 1 | |
| 010 | 303-33160-20 | 1 | |
| 011 | 630-33165-20 | 1 | Z242901 - |
| 012 | 122-33180-21 | 1 | |
| 013 | 136-3318B-20 | 1 | |
| 014 | 990-52060-165 | 2 | |
| 016 | 085-33160-20 | 2 | |
| 017 | 121-3315A-20 | 1 | |
| 018 | 120-3315A-20 | 1 | |
| 021 | 994-61040-124 | 4 | |
| 022 | 300-32250-80 | 1 | |
| 023 | 990-51060-143 | 2 | |
| 024 | 129-33202-20 | 4 | |
| 025 | 124-33202-21 | 4 | |
| 028 | 128-37904-20 | 1 | |
| 039 | 125-33202-20 | 1 | |
| 040 | 051-33185-81 | 1 | |
| 041 | 165-37590-20 | 1 | |
| 042 | 123-33202-20 | 5 | |
| 043 | 992-01060-011 | 4 | |
| 044 | 992-01060-011 | 1 | |
| 045 | 992-10060-012 | 1 | |
| 049 | 138-3318B-21 | 1 | |
| 060 | 301-33160-21 | 1 | |
| 061 | 999-61608-013 | 1 | |
| 062 | 034-31200-25 | 1 | - Z242900 |
| 063 | 105-32280-20 | 1 | - Z242900 |
| 064 | 994-61040-104 | 2 | - Z242900 |
| 071 | 992-10060-012 | 2 | |
| 072 | 994-40060-011 | 2 | |
| 085 | 350-33210-20 | 1 | |
| 089 | 994-61040-104 | 2 | Z242901 - |

H05-10 THT-2510/B/S GEAR CASE / BLADE(SERIAL NO.A052151-)



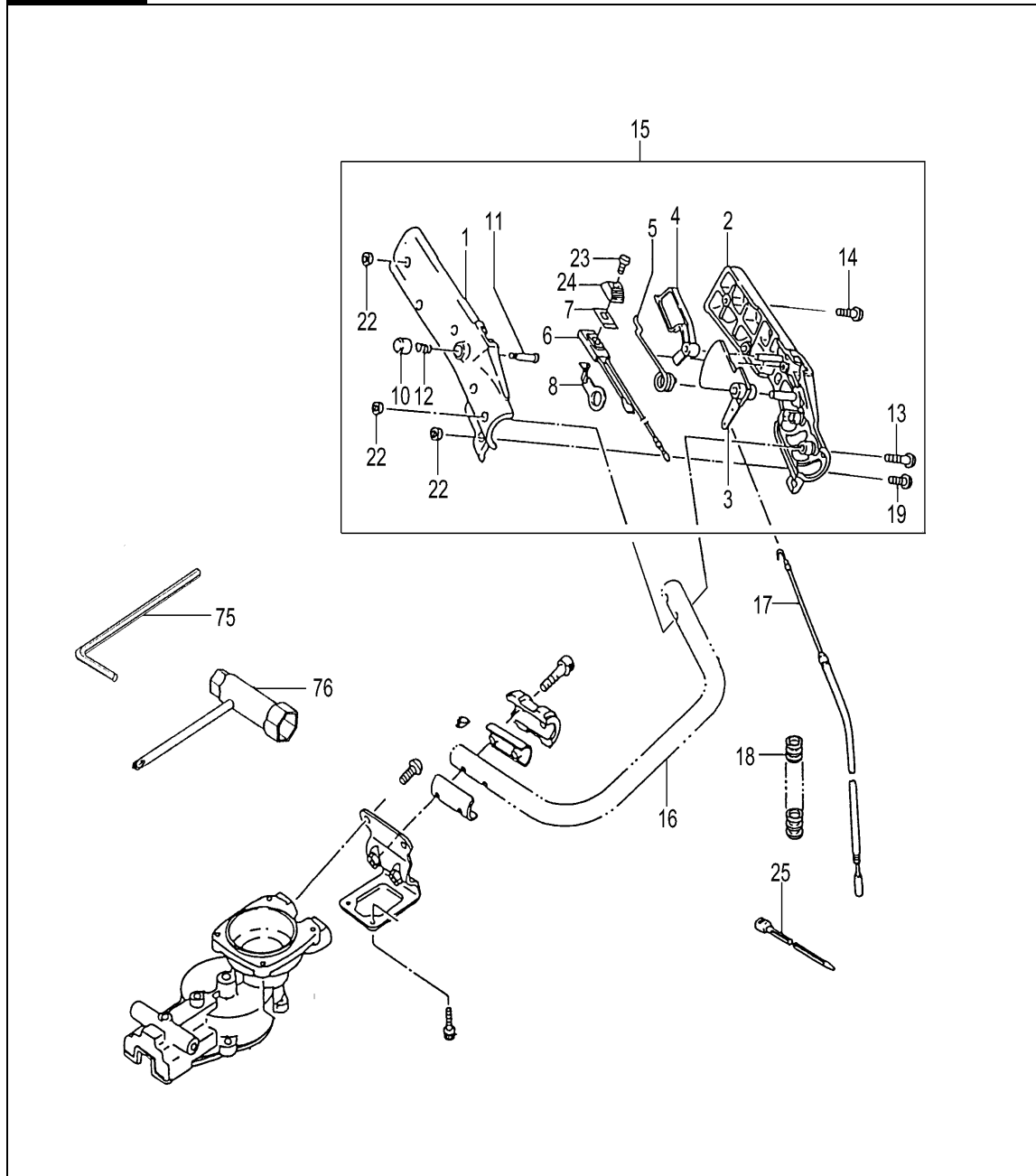
| REF. NUMBER | PARTS NUMBER | QTY | SERIAL NUMBER |
|-------------|---------------------|----------|------------------|
| 001 | 300-33195-81 | 1 | |
| 002 | 993-50015-002 | 1 | |
| 003 | 999-61600-200 | 1 | |
| 004 | 999-61600-202 | 1 | |
| 005 | 288-33180-80 | 1 | |
| 007 | 075-33160-20 | 1 | |
| 008 | 101-33190-20 | 2 | |
| 009 | 292-33194-80 | 1 | |
| 010 | 303-33160-20 | 1 | |
| 011 | 630-33165-20 | 1 | |
| 012 | 122-33158-20 | 1 | |
| 013 | 136-3318B-20 | 1 | - B032540 |
| 014 | 990-52060-165 | 2 | |
| 016 | 085-33160-20 | 2 | |
| 017 | 121-3315A-20 | 1 | |
| 018 | 120-3315A-20 | 1 | |
| 021 | 994-61040-124 | 4 | |
| 022 | 300-32250-80 | 1 | |
| 023 | 994-61060-184 | 2 | |
| 024 | 129-33202-20 | 4 | |
| 025 | 124-32287-20 | 4 | |
| 028 | 128-37904-20 | 1 | - B032540 |
| 028 | 128-33202-20 | 1 | B032541 - |
| 039 | 125-33285-20 | 1 | |
| 040 | 051-33185-81 | 1 | |
| 041 | 165-37590-20 | 1 | |
| 042 | 991-82060-001 | 5 | |
| 044 | 992-01060-011 | 1 | |
| 045 | 992-10060-012 | 1 | |
| 049,1 | 138-3318B-21 | 1 | - B032540 |
| 049 | 138-33215-20 | 1 | B032541 - |
| 060 | 301-33160-21 | 1 | |
| 061 | 999-61608-013 | 1 | |
| 072 | 994-40060-011 | 2 | |
| 085 | 350-33210-20 | 1 | |
| 089 | 994-61040-104 | 2 | |

H05-11 THT-2510/B/S HANDLE BRACKET



| REF. NUMBER | PARTS NUMBER | Q'TY | SERIAL NUMBER |
|-------------|---------------|------|---------------|
| 026 | 994-61040-155 | 2 | |
| 033 | 990-51050-353 | 2 | |
| 035 | 057-33234-20 | 1 | |
| 036 | 060-33250-20 | 2 | |
| 037 | 058-33180-80 | 1 | - Z039850 |
| 037 | 058-33181-80 | 1 | Z039851 - |
| 038 | 176-33410-20 | 1 | |
| 057 | 994-61050-125 | 2 | |

H05-12 THT-2510/B/S HANDLE



| REF. NUMBER | PARTS NUMBER | Q'TY | SERIAL NUMBER |
|-------------|---------------|------|---------------|
| 001 | 053-33231-22 | 1 | |
| 002 | 054-33231-23 | 1 | |
| 003 | 230-33210-20 | 1 | |
| 004 | 231-33210-20 | 1 | |
| 005 | 061-32600-20 | 1 | |
| 006 | 170-33180-80 | 1 | |
| 007 | 925-32530-20 | 1 | |
| 008 | 319-37900-20 | 1 | |
| 010 | 725-32600-20 | 1 | - U050517 |
| 010 | 765-32120-20 | 1 | U050518- |
| 011 | 064-33225-20 | 1 | - U050517 |
| 012 | 066-32300-20 | 1 | - U050517 |
| 013 | 994-16040-301 | 2 | |
| 014 | 994-16040-251 | 1 | |
| 015 | 055-33180-91 | 1 | - U050517 |
| 015 | 055-3318B-91 | 1 | U050518- |
| 016 | 050-33180-80 | 1 | |
| 017 | 885-0650J-80 | 1 | |
| 018 | 164-07016-50 | 1 | |
| 019 | 994-16040-161 | 3 | |
| 022 | 991-78040-010 | 6 | |
| 023 | 994-31030-101 | 1 | |
| 024 | 258-11650-20 | 1 | |
| 025 | 198-33130-20 | 1 | |
| 075 | 036-29331-50 | 1 | |
| 076 | 813-20000-20 | 1 | |