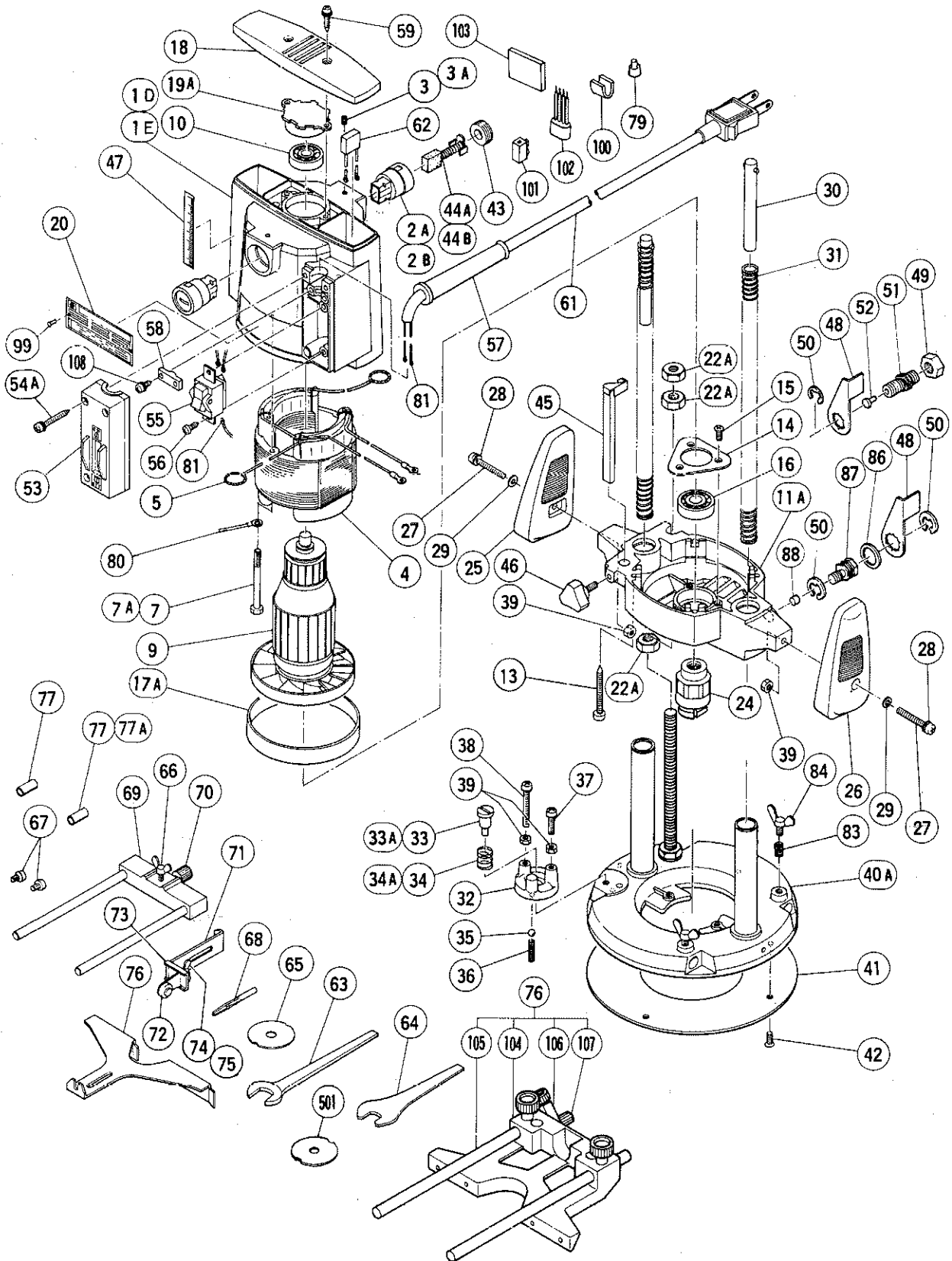


## ELECTRIC TOOL PARTS LIST

■ TRIMMER  
Model TR-12

1994 • 3 • 3  
(E11)



## PARTS

TR-12

ITEM NO.	CODE NO.	DESCRIPTION	NO. USED	REMARKS
*	1D	997-460	HOUSING ASS'Y	1 INCLUD.2B,3A,7A
*	1D	997-461	HOUSING ASS'Y	1 INCLUD.2B,3A,7A FOR USA
*	1E	997-462	HOUSING ASS'Y	1 INCLUD.2B,3A,7A FOR AUT
*	2A	953-123Z	BRUSH HOLDER	2 TILL 12.1983 FOR AUT
*	2B	986-773	BRUSH HOLDER	2 SINCE 7.1983
*	2B	986-774	BRUSH HOLDER	2 SINCE 1.1984 FOR AUT
	3	949-385	SLOTTED HD. SET SCREW M4X5 (10 PCS.)	2 TILL 10.1985
	3A	938-477	HEX. SOCKET SET SCREW M5X8	2 SINCE 11.1985
*	4	956-762C	STATOR ASS'Y 110V - 115V	1 INCLUD.5
*	4	956-762D	STATOR ASS'Y 120V - 127V	1 INCLUD.5
*	4	956-762E	STATOR ASS'Y 220V - 230V	1 INCLUD.5
*	4	956-762F	STATOR ASS'Y 240V	1 INCLUD.5
*	4	956-762G	STATOR ASS'Y 230V	1 INCLUD.5 FOR NZL
*	4	956-935G	STATOR ASS'Y 230V	1 INCLUD.8 FOR SAF
*	4	956-935F	STATOR ASS'Y 240V	1 INCLUD.5 FOR GBR
*	4	956-935C	STATOR ASS'Y 110V - 115V	1 INCLUD.5 FOR GBR
	5	998-744	BRUSH TERMINAL	2
	7	956-763	BOLT (+HD.) M5X80	2 TILL 7.1986
	7A	980-251	HEX. HD. TAPPING SCREW D5X65	1 SINCE 8.1986
*	9	956-766U	ARMATURE ASS'Y 110V - 115V	1 INCLUD.10,16
*	9	956-766D	ARMATURE 120V - 127V	1
*	9	956-766E	ARMATURE 220V - 230V	1
*	9	956-766F	ARMATURE 240V	1
	10	620-0VV	BALL BEARING 6200VVCMP2S	1
	11A	997-464	END BRACKET ASS'Y	1 INCLUD.50,86,87,88
	13	956-669	TAPPING SCREW D5X55	4
	14	956-768	BEARING COVER	1
	15	949-322	FLAT HD. SCREW M4X10 (10 PCS.)	3
	16	620-1VV	BALL BEARING 6201VVCMP2S	1
	17A	956-938	INSULATION RING (B)	1
*	18	956-770	END COVER	1
*	18	956-819	END COVER	1 FOR CAN
	19A	981-443	BEARING BUSHING	1
*	20		NAME PLATE	1
	22A	949-572	LOCK NUT M10 (10 PCS.)	3
*	24	956-920	COLLET CHUCK 12MM	1
*	24	956-926Z	COLLET CHUCK 1/2"	1
*	24	956-912	COLLET CHUCK 10MM	1 FOR SUI,FRA
*	24	956-911	COLLET CHUCK (A) 1/2"	1 FOR USA
	25	956-776	HANDLE (L)	1
	26	956-777	HANDLE (R)	1
	27	949-247	MACHINE SCREW M5X35 (10 PCS.)	2
	28	949-454	SPRING WASHER M5 (10 PCS.)	2
	29	949-431	BOLT WASHER M5 (10 PCS.)	2
	30	956-778	SPRING GUIDE	2
	31	956-779	SPRING	2
	32	956-780	STOPPER BLOCK	1
	33	956-781	SET BOLT	1 TILL 2.1987
	33A	997-465	SELF TAPPING SCREW (W/WASHER) D4X12	1 SINCE 3.1987
	34	956-818	SPRING (A)	1 TILL 2.1987
	34A	971-858	SPRING (A)	1 SINCE 3.1987

\*: ALTERNATIVE PARTS

3 - 94

## PARTS

TR-12

ITEM NO.	CODE NO.	DESCRIPTION	NO. USED	REMARKS	
35	959-150	STEEL BALL D6.35 (10 PCS.)	1	TILL 2.1987	
36	955-356	SPRING	1	TILL 2.1987	
37	949-241	MACHINE SCREW M5X20 (10 PCS.)	1		
38	949-248	MACHINE SCREW M5X40 (10 PCS.)	1		
39	949-555	NUT M5 (10 PCS.)	4		
40A	997-463	BASE ASS'Y	1	INCLUD.33A,34A	
41	956-783	SUB BASE	1		
42	949-331	FLAT HD. SCREW M5X10 (10 PCS.)	4		
*	43	940-540	BRUSH CAP	2	
*	43	937-949	BRUSH CAP	2	FOR AUT
44A	999-036	CARBON BRUSH (1 PAIR)	2	TILL 6.1983	
44B	999-038	CARBON BRUSH (1 PAIR)	2	SINCE 7.1983	
45	956-784	STOPPER POLE	1		
46	958-573	KNOB SCREW M5	1		
*	47	956-785	SCALE (MM)	1	
*	47	956-775P	SCALE (INCH)	1	
48	956-786	LOCK LEVER	1		
49	946-541	U - NUT M12	1	TILL 2.1987	
50	670-514	RETAINING RING (E - TYPE) FOR D10 SHAFT	2		
51	956-787	LOCK SCREW	1	TILL 2.1987	
52	956-921	LOCK PIN	1	MADE OF BRASS TILL 2.1987	
53	956-788	SWITCH COVER	1		
54A	306-999	TAPPING SCREW (W/FLANGE) D4X25	3		
*	55	956-789	SWITCH (2P SCREW TYPE)	1	
56	958-715	TAPPING SCREW D4X10	2		
57	936-422	CORD ARMOR D10.8	1		
58	937-631	CORD CLIP	1		
59	930-446	TAPPING SCREW (W/WASHER) D4X16	2		
*	61	500-212Z	CORD	1	(CORD ARMOR D10.8)FOR ASIA
*	61	500-214Z	CORD	1	(CORD ARMOR D10.8)FOR ASIA
*	61	500-223Z	CORD	1	(CORD ARMOR D10.8)FOR SIN
*	61	500-226Z	CORD	1	(CORD ARMOR D10.8)FOR OCEANIA
*	61	500-231Z	CORD	1	(CORD ARMOR D10.8)FOR SAF
*	61	500-234Z	CORD	1	(CORD ARMOR D10.8)FOR EUROPE
*	61	500-241Z	CORD	1	(CORD ARMOR D10.8)FOR USA
*	61	500-420Z	CORD	1	(CORD ARMOR D10.8)FOR SAU (127V)
*	61	500-423Z	CORD	1	(CORD ARMOR D10.8)FOR SAU (220V)
*	62	994-273	NOISE SUPPRESSOR	1	
*	62	500-258Z	NOISE SUPPRESSOR	1	FOR NZL,SAF
63	956-922	WRENCH 23MM	1		
64	956-923	WRENCH 21MM	1		
*	65	956-790	TEMPLATE GUIDE D18	1	
*	65	956-933	TEMPLATE GUIDE D27	1	(TILL 9.1987 FOR FRG)
66	949-394	WING BOLT M6X10 (10 PCS.)	1		
67	949-234	MACHINE SCREW M5X6 (10 PCS.)	2		
*	68	956-808	STRAIGHT BIT (TCT) D8X8	1	FOR 12MM COLLET CHUCK
*	68	956-817Z	STRAIGHT BIT (TCT) D1/2"X1/2"	1	FOR 1/2" COLLET CHUCK
69	956-792	BAR HOLDER	1		
70	956-793	FEED SCREW	1		
71	956-794	TRIMMER GUIDE	1	INCLUD. 72 - 75	
72	956-795	ROLLER	1		

\*: ALTERNATIVE PARTS

**PARTS**

TR-12

ITEM NO.	CODE NO.	DESCRIPTION	NO. USED	REMARKS
73	956-798	SET PLATE	1	
74	949-432	BOLT WASHER M6 (10 PCS.)	1	
75	949-394	WING BOLT M6X10 (10 PCS.)	1	
76	956-797	STRAIGHT GUIDE	1	
76	956-914	STRAIGHT GUIDE (A) ASS'Y	1	INCLUD.104 - 107 FOR FRA,SUI
77	956-798	CHUCK SLEEVE 12X8	1	FOR 12MM COLLET CHUCK
77	956-799	CHUCK SLEEVE 12X8	1	FOR 12MM COLLET CHUCK
77	956-913	CHUCK SLEEVE 10X1/4"	1	FOR 10MM COLLET CHUCK FOR SUI
77	956-927Z	CHUCK SLEEVE 1/2"X1/4"	1	FOR 1/2" COLLET CHUCK
77	956-928Z	CHUCK SLEEVE 1/2"X3/8"	1	FOR 1/2" COLLET CHUCK
77A	303-487	CHUCK SLEEVE 10X8	1	FOR 10MM COLLET CHUCK FOR FRA
79	959-140	CONNECTOR 50091 (10 PCS.)	7	
80	937-633	INTERNAL WIRE	1	
80	981-589	INTERNAL WIRE	1	
80		INTERNAL WIRE	1	FOR FIN
81	960-356	TERMINAL (A) M3.5 (10 PCS.)	2	FOR CORD
83	947-859	LOCK SPRING	2	
84	956-924	WING BOLT M6X15	2	
86	971-846	WAVE WASHER	1	
87	971-847	LOCK SCREW	1	
88	971-848	LOCK PIECE	1	
99	949-509	RIVET D2.5X3.2 (10 PCS.)	2	
100	930-153	SUPPORT (B)	1	
101	938-307Z	PILLAR TERMINAL	1	
102	500-323	CHOKE COIL	1	FOR NZL,SAF
103	963-243	SUPPORT	1	
104	956-915	STRAIGHT GUIDE (A)	1	FOR FRA,SUI
105	956-916	GUIDE BAR	2	FOR FRA,SUI
106	956-917	SCREW HOLDER	1	FOR FRA,SUI
107	956-918	FEED SCREW (A)	1	FOR FRA,SUI
108	984-750	TAPPING SCREW (W/FLANGE) D4X16	2	

\*: ALTERNATIVE PARTS

**STANDARD ACCESSORIES**

TR-12

ITEM NO.	CODE NO.	DESCRIPTION	NO. USED	REMARKS
* 501	956-756	TEMPLATE GUIDE ADAPTER	1	FOR USA,CAN

**OPTIONAL ACCESSORIES**

ITEM NO.	CODE NO.	DESCRIPTION	NO. USED	REMARKS
* 601	956-758	COLLET CHUCK (B) 10MM	1	FOR FRA,SUI
* 602	956-759	CHUCK SLEEVE 1/2"X8	1	FOR 1/2" COLLET CHUCK FOR FRA,SUI
603	956-929Z	CHUCK SLEEVE 12X1/4"	1	FOR 12MM COLLET CHUCK
604	956-930Z	CHUCK SLEEVE 12X3/8"	1	FOR 12MM COLLET CHUCK
605	956-931Z	CHUCK SLEEVE 1/2"X10	1	FOR 1/2" COLLET CHUCK
606	956-932	TEMPLATE GUIDE D20	1	
607	956-933	TEMPLATE GUIDE D27	1	
608	956-934	TEMPLATE GUIDE D30	1	
609	956-939Z	COLLET CHUCK (B) 12MM	1	
610	997-466	DUST COLLECTION ADAPTER SET	1	INCLUD.611,612
611	997-467	KNOB NUT	2	
612	949-237	MACHINE SCREW M5X12 (10 PCS.)	2	
613	303-347	TEMPLATE GUIDE D9.5	1	
614	303-348	TEMPLATE GUIDE D10	1	
615	303-349	TEMPLATE GUIDE D11.1	1	
616	303-350	TEMPLATE GUIDE D12	1	
617	303-351	TEMPLATE GUIDE D12.7	1	
618	303-352	TEMPLATE GUIDE D14	1	
619	303-353	TEMPLATE GUIDE D16	1	
620	303-354	TEMPLATE GUIDE D24	1	
621	303-355	TEMPLATE GUIDE D40	1	
622	956-803	DOUBLE FLUSH TRIMMING BIT (TCT) D12X12	1	
623	956-806	FLUSH TRIMMING BIT (TCT) D12X12	1	
624	956-809	STRAIGHT BIT (TCT) D12X10	1	
625	956-810	STRAIGHT BIT (TCT) D12X12	1	
626	956-812	ROUND OVER BIT (TCT) D12XR6X20	1	
627	956-813	ROUND OVER BIT (TCT) D12XR8X24	1	