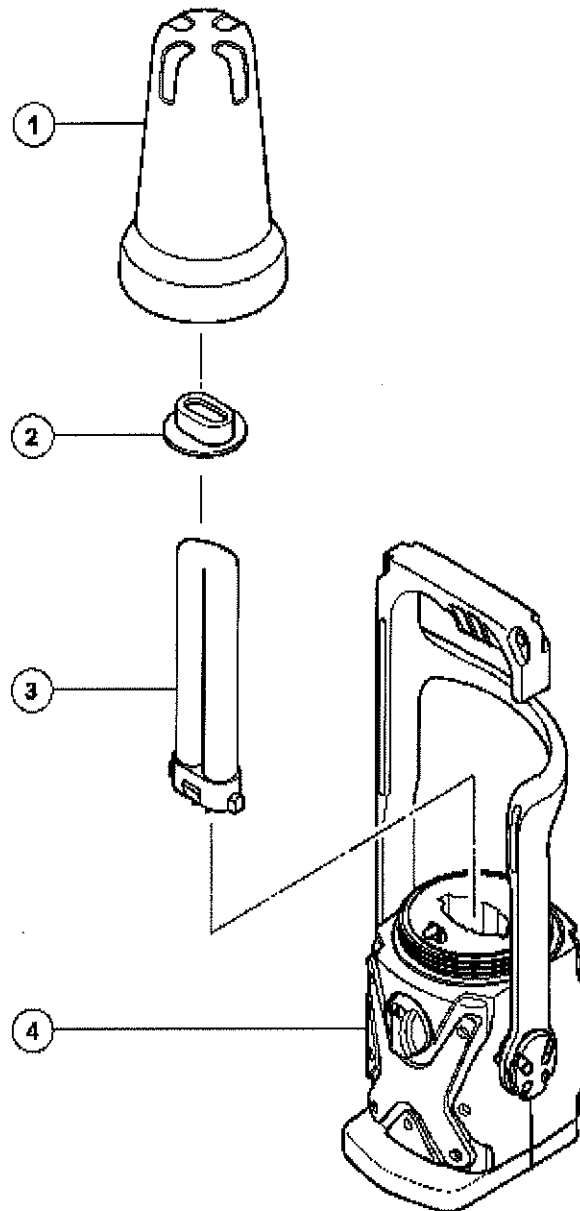


ELECTRIC TOOL PARTS LIST

■ CORDLESS LANTERN
Model UB 18DL

2004 · 9 · 20
(E1)



TEILE

UB18DL

| Pos. Nr. | Art.Nr. | BESCHREIBUNG | Nr. STUE | KOMMENTAR |
|-------------|---------|--------------|-------------|-----------|
| 1 | 323-340 | | 1 | |
| 2 | 323-519 | | 1 | |
| 3 | 323-339 | | 1 | |
| 4 | | | 1 | |