

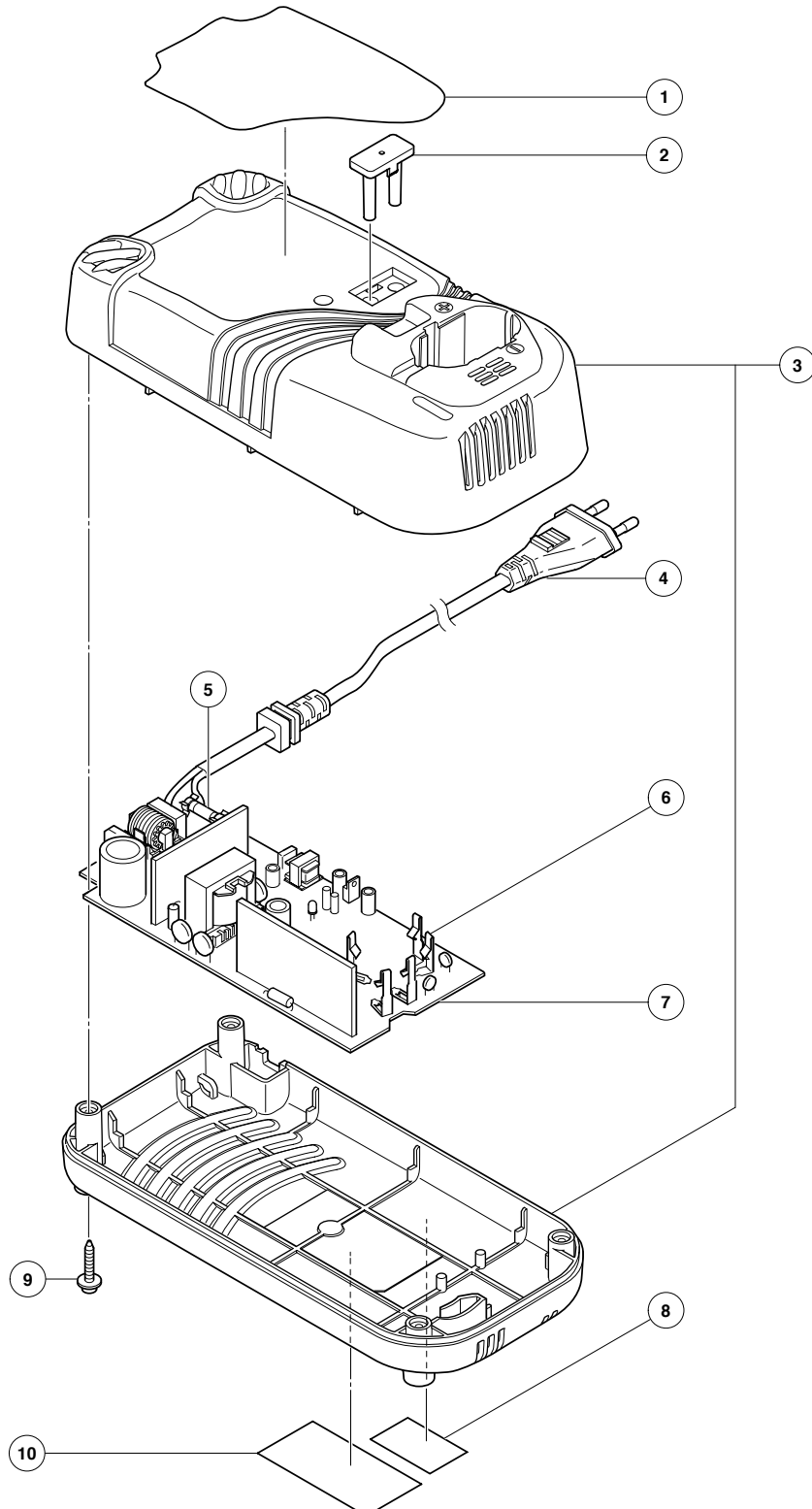
## ELECTRIC TOOL PARTS LIST

### ■ CHARGER

2007 · 8 · 10

Model UC 18YGL

(E1)



**PARTS**

UC 18YGL

ITEM NO.	CODE NO.	DESCRIPTION	NO. USED	REMARKS
1	328-539	HITACHI LABEL	1	
2	321-679	PRISM	1	
3	326-281	CASE (A).(B) SET	1	
* 4	318-262	CORD	1	
* 4	318-259	CORD	1	FOR USA, CAN
* 4	318-260	CORD	1	FOR AUS
* 4	318-261	CORD	1	FOR GBR
5	319-780	FUSE (250V-3.15A)	1	
6	326-285	TERMINAL (A)	5	
* 7		PRINTED CIRCUIT BOARD ASS'Y 120V	1	INCLUD. 5, 6
* 7		PRINTED CIRCUIT BOARD ASS'Y 230V-240V	1	INCLUD. 5, 6
8		CAUTION LABEL	1	
9	326-358	TAPPING SCREW (W/FLANGE) D3X18	4	
10		NAME PLATE	1	