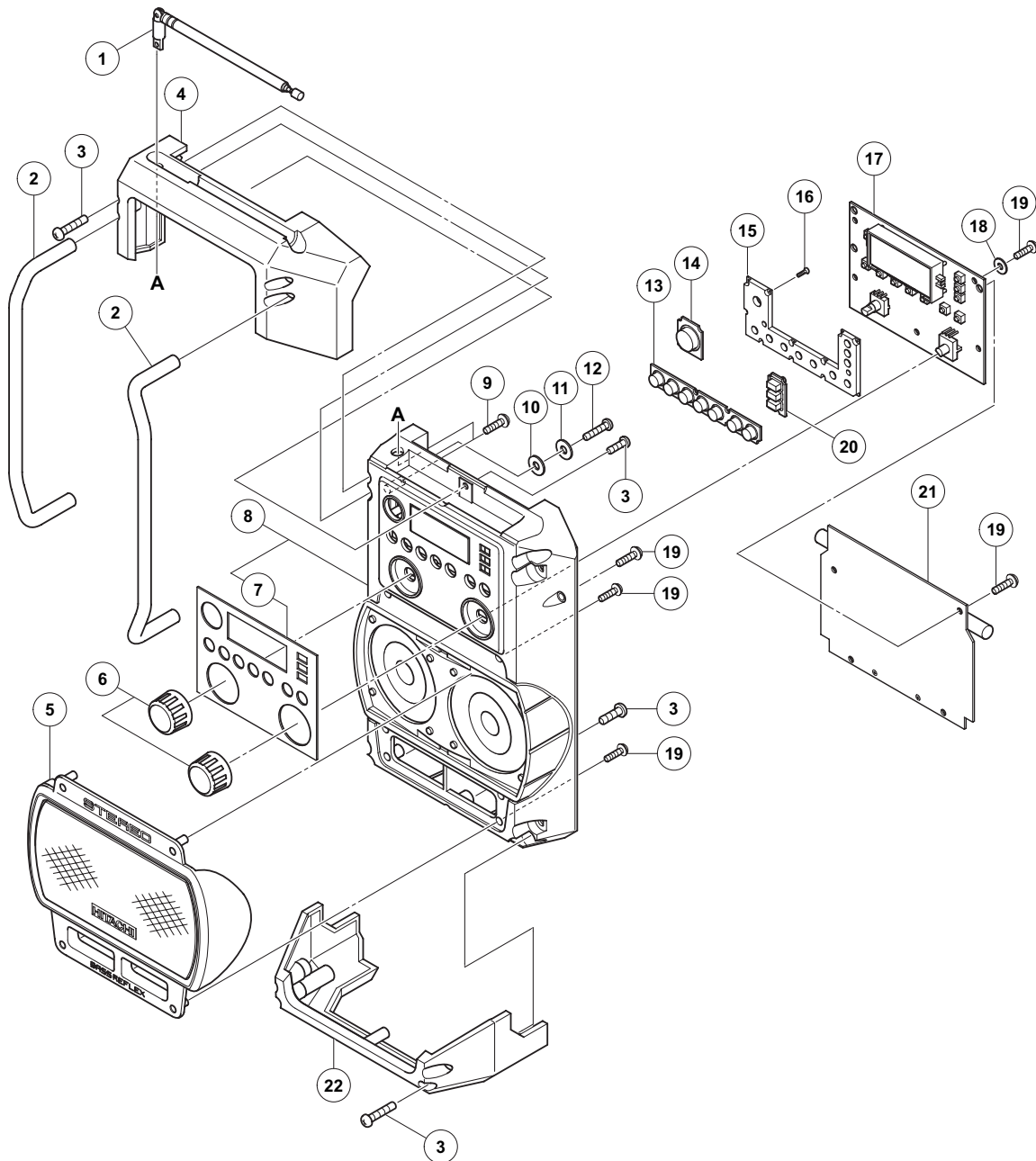
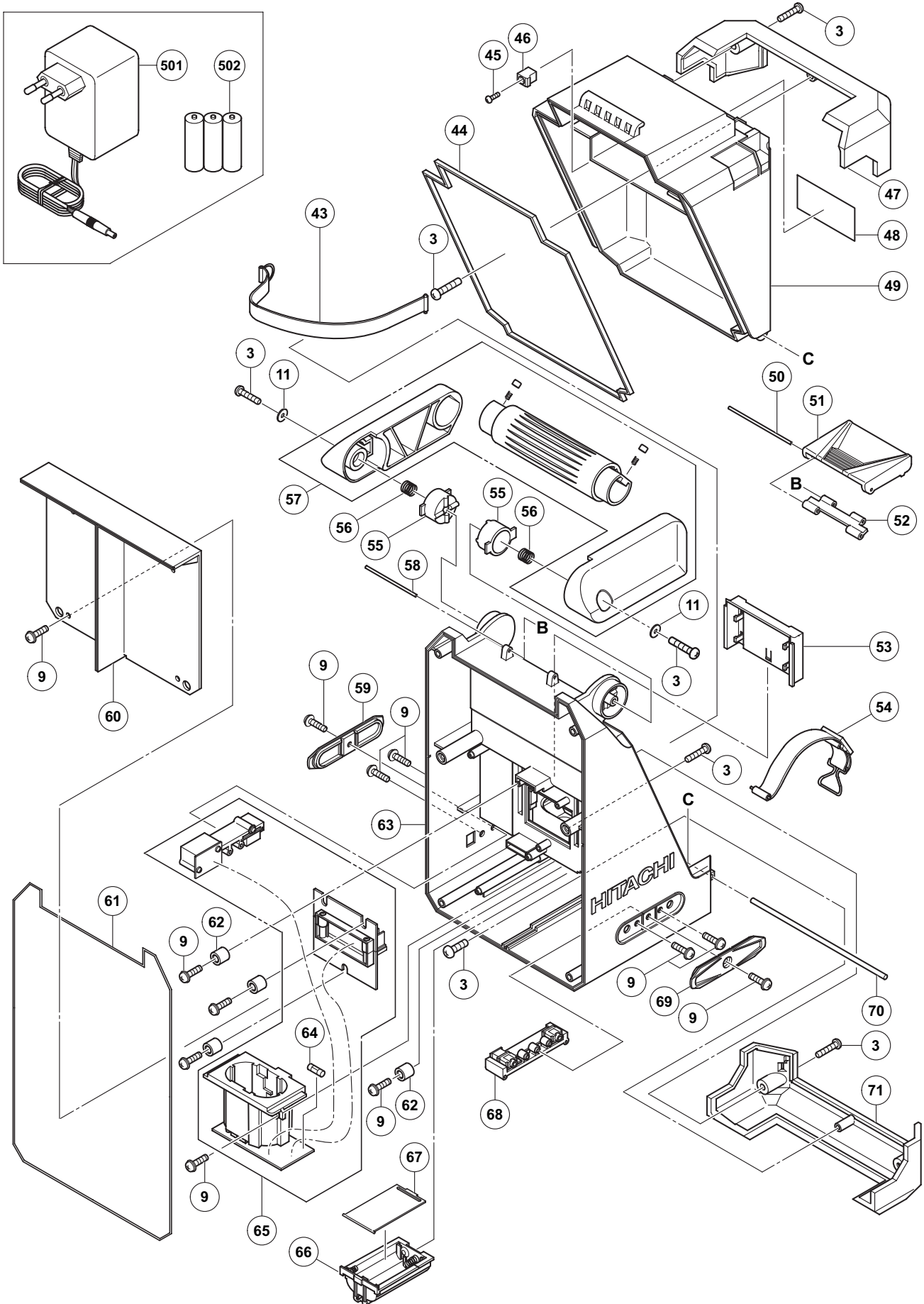


ELECTRIC TOOL PARTS LIST

CORDLESS RADIO
Model UR 18DSL

2009·6·9
(E1)





PARTS

UR 18DSL

ITEM NO.	CODE NO.	DESCRIPTION	NO. USED	REMARKS
1	331-428	ROD ANTENNA	1	
2	331-605	GUARD BAR	2	
3	331-606	MACHINE SCREW M4 X 15 (BLACK)	16	
4	331-607	TPE COVER (A)	1	
5	331-608	SPEAKER COVER	1	
6	331-609	DIAL	2	
7	331-610	FUNCTION LABEL	1	
8	331-611	FRONT HOUSING ASS'Y	1	INCLUD. 7
9	331-612	MACHINE SCREW (W/FLANGE) M3 X 10 (BLACK)	16	
10	331-613	RUBBER WASHER	4	
11	331-614	WASHER M4 (BLACK)	6	
12	331-615	MACHINE SCREW M4 X 15 (BLACK)	4	
13	331-616	FUNCTION BUTTON	1	
14	331-617	POWER BUTTON	1	
15	331-618	BUTTON COVER	1	
16	331-619	FLAT HD. SCREW M1.7 X 5 (BLACK)	12	
* 17	331-625	CONTROL PCBA (EURO)	1	
* 17	331-626	CONTROL PCBA (USA)	1	
18	331-620	FIBRE WASHER	5	
19	331-621	MACHINE SCREW (W/FLANGE) M2.6 X 10 (BLACK)	17	
20	331-622	MODE BUTTON	1	
* 21	331-628	FUNCTION PCBA (EURO)	1	
* 21	331-629	FUNCTION PCBA (USA)	1	
22	331-623	TPE COVER (B)	1	
43	331-630	ADAPTER BELT	1	
44	331-631	BACK DOOR PACKING	1	
45	331-632	MACHINE SCREW M2.6 X 8 (BLACK)	1	
46	331-633	HOLDER COVER LOCKER	1	
47	331-634	TPE COVER (D)	1	
48		NAME PLATE	1	
49	331-635	BACK DOOR	1	
50	331-636	METAL SHAFT (B)	1	
51	331-637	BUCKLE	1	
52	331-638	BUCKLE CONNECTOR	1	
53	331-639	BATTERY HOLDER COVER	1	
54	331-640	BATTERY BELT	1	
55	331-641	HANDLE BRACKET	2	
56	331-642	HANDLE BRACKET SPRING	2	
57	331-643	HANDLE SET	1	
58	331-644	METAL SHAFT (C)	1	
59	331-645	JACK COVER (L)	1	
60	331-646	SPEAKER BACK COVER	1	
61	331-647	FRONT O-RING	1	
62	331-648	BATTERY BOX WASHER	4	
63	331-649	BACK HOUSING	1	
64	331-650	FUSE (250V-2A)	1	
65	331-651	TERMINAL ASS'Y	1	INCLUD. 64
66	331-652	AA BATTERY BOX	1	
67	331-653	BATTERY DOOR	1	
68	331-654	JACK	1	

