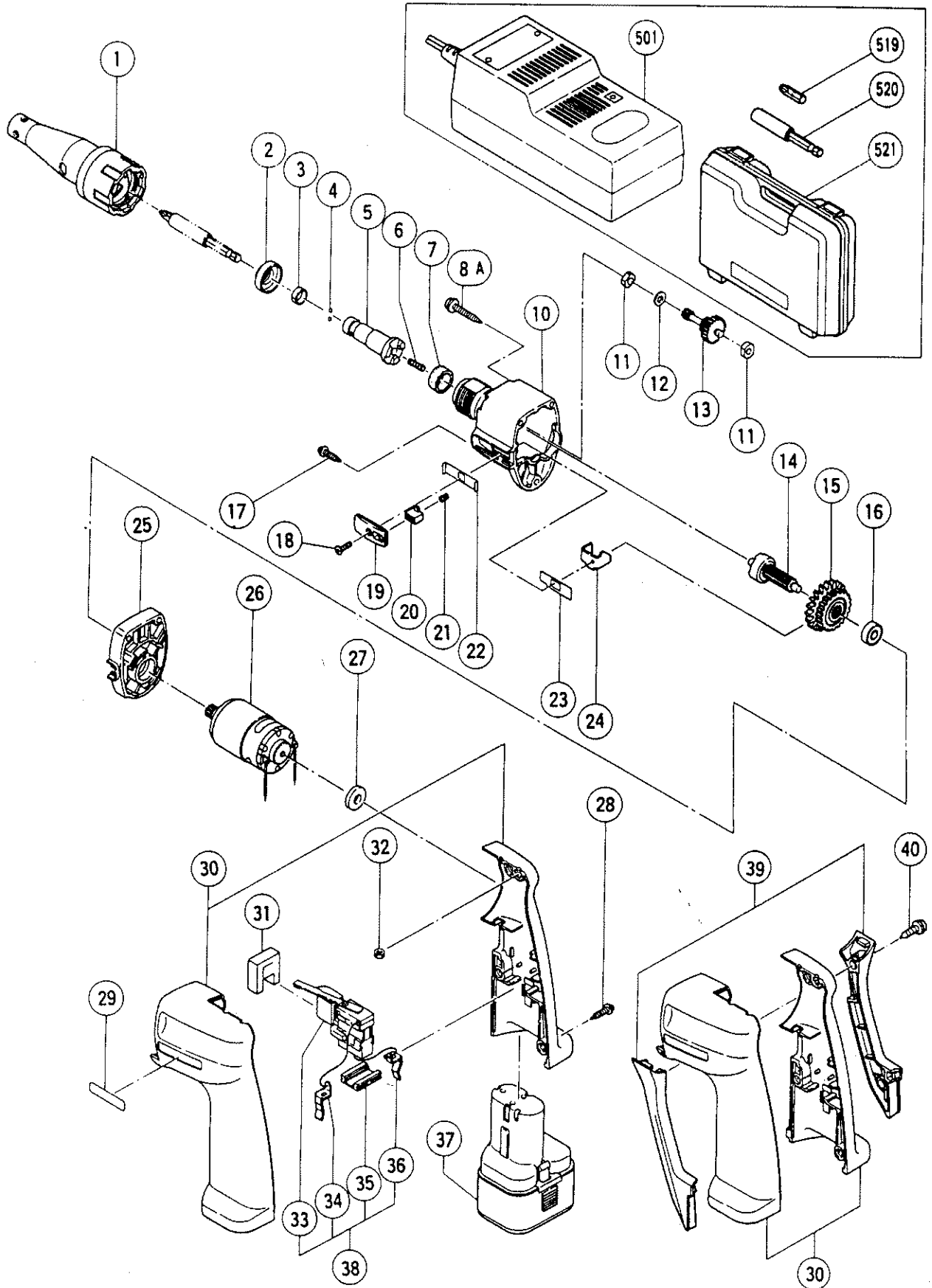
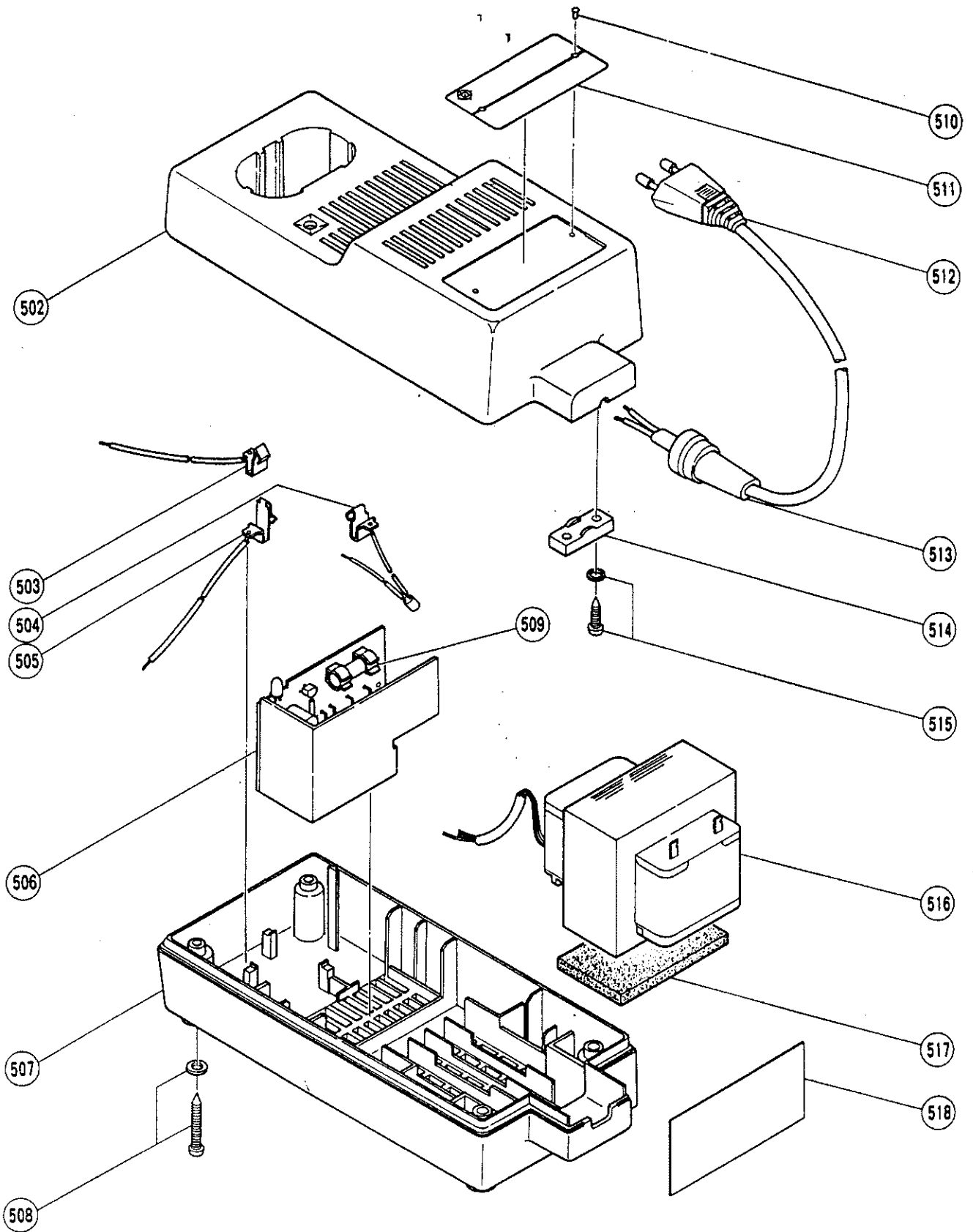


ELECTRIC TOOL PARTS LIST

■ CORDLESS DRYWALL SCREW DRIVER 1988. 4. 30
Model W5DB W5DB(E2)





PARTS

W5DB(E2)

Item No.	Code No.	Part Name	Q'ty	Remarks
1	982555Z	Locator	1	
2	971468	Fringer (A)	1	
3	872573	Set Ring	1	
4	959148	Steel Ball D3.17	2	(10 pcs.)
5	998769	Socket (A)	1	
6	992656	Spring	1	
7	998755	Felt Packing	1	
8A	998794	Tapping Screw D4 x 65	2	W/Washer
10	998754	Gear Cover Ass'y	1	includ. 7
11	997752	Metal	2	
12	949425	Washer	1	for M6 (10 pcs.)
13	998758	Second Pinion	1	
14	998756	Spindle	1	
15	982444	Final Gear	1	
16	939239	Ball Bearing (626VVC2PS-2)	1	
17	982095	Tapping Screw D4 x 20	1	W/Washer
18	949318	Flat Hd. Screw M3 x 12	1	(10 pcs.)
19	998761	Shift Plate	1	
20	998770	Lock Button	1	
21	992743	Spring (B)	1	
22	998771	Spring Holder	1	
23	998760	Seal Plate	1	
24	998759	Shift Arm	1	
25	998753	Inner Cover	1	
26	998751	Motor	1	
27	996102	Rubber Ring	1	
28	984750	Tapping Screw D4 x 16	3	W/Flange
29	—	Name Plate	1	
30	—	Housing Handle Cover Set	1	See alternative parts
31	980834	Seal	1	
32	949554	Nut M4	1	(10 pcs.)
33	998764	Switch	1	
34	998766	Terminal	1	
35	991666	Terminal Support	1	
36	998765	Terminal	1	
37	—	Battery	1	See alternative parts
38	998763	Switch Ass'y	1	includ. 33-36.
39	—	Stay Set	1	See alternative parts
40	—	Tapping Screw D4 x 14	2	See alternative parts

ALTERNATIVE PARTS

Item No.	Code No.	Part Name	Q'ty	Remarks
30	998750	Housing Handle Cover Set	1	
	998773	Housing Handle Cover Set	1	for U.S.A., Canada
37	991642Z	Battery (Model EB9 W/English N.P.)	1	
	991644Z	Battery (Model EB9 W/English N.P.)	1	for U.S.A., Canada
	991641Z	Battery (Model EB9 W/German N.P.)	1	
	991643Z	Battery (Model EB9 W/French N.P.)	1	

PARTS

W5DB(E2)

Item No.	Code No.	Part Name	Q'ty	Remarks
39	998774	Stay Set	1	for U.S.A., Canada
			1	
40	995532	Tapping Screw D4 x 14	2	W/Washer for U.S.A., Canada

STANDARD ACCESSORIES

Item No.	Code No.	Part Name	Q'ty	Remarks
501	—	Charger (Model UC9)	1	includ. 502-518 Depending on order spec.
502	991780	Case (A)	1	
	991781	Case (A)	1	for U.S.A., Canada
	991782	Case (A)	1	for Sweden, Finland
503	991797	Terminal (A)	1	
504	991801	Thermo Fuse	1	
505	991798	Terminal (B)	1	
506	991793Z	Print Board Ass'y	1	includ. 509
	991806	Print Board Ass'y	1	for Switzerland includ. 509
	991794Z	Print Board Ass'y	1	for U.S.A., Canada includ. 509
507	991783	Case (B)	1	
	991784	Case (B)	1	for U.S.A., Canada
	991785	Case (B)	1	for Sweden, Finland
508	982095	Tapping Screw D4 x 20	4	W/Washer
509	991799	Fuse	1	
	991807	Fuse	1	for U.S.A., Canada
510	949510	Rivet D2.5 x 4.8	2	for U.S.A., Canada (10 pcs.)
511	—	Name Plate	1	
512	980642Z	Cord 220V ~ 230V	1	
	984430Z	Cord 230V	1	
	984431Z	Cord 120V	1	for U.S.A., Canada
	991166	Cord 220V	1	for Finland
	980643Z	Cord 230V	1	for N.Z.
	980644Z	Cord 240V	1	for U.K.
513	991167	Cord Armor	1	
	991168	Cord Armor (B)	1	for Finland
514	937631	Cord Clip	1	
515	930446	Tapping Screw D4 x 16	2	W/Washer
516	991788Z	Transformer 220V	1	
	991790Z	Transformer 230V	1	
	991808	Transformer 120V	1	for U.S.A.
	991787Z	Transformer 120V	1	for Canada
	991805	Transformer 220V	1	for Norway
	991803	Transformer 240V	1	for U.K.
517	984404	Cushion	1	
518	991802	Plate	1	
519	971511Z	Plus Bit (A) No.2 x 25L	1	
520	982554Z	Magnetic Bit Holder	1	
521	992638	Case	1	

