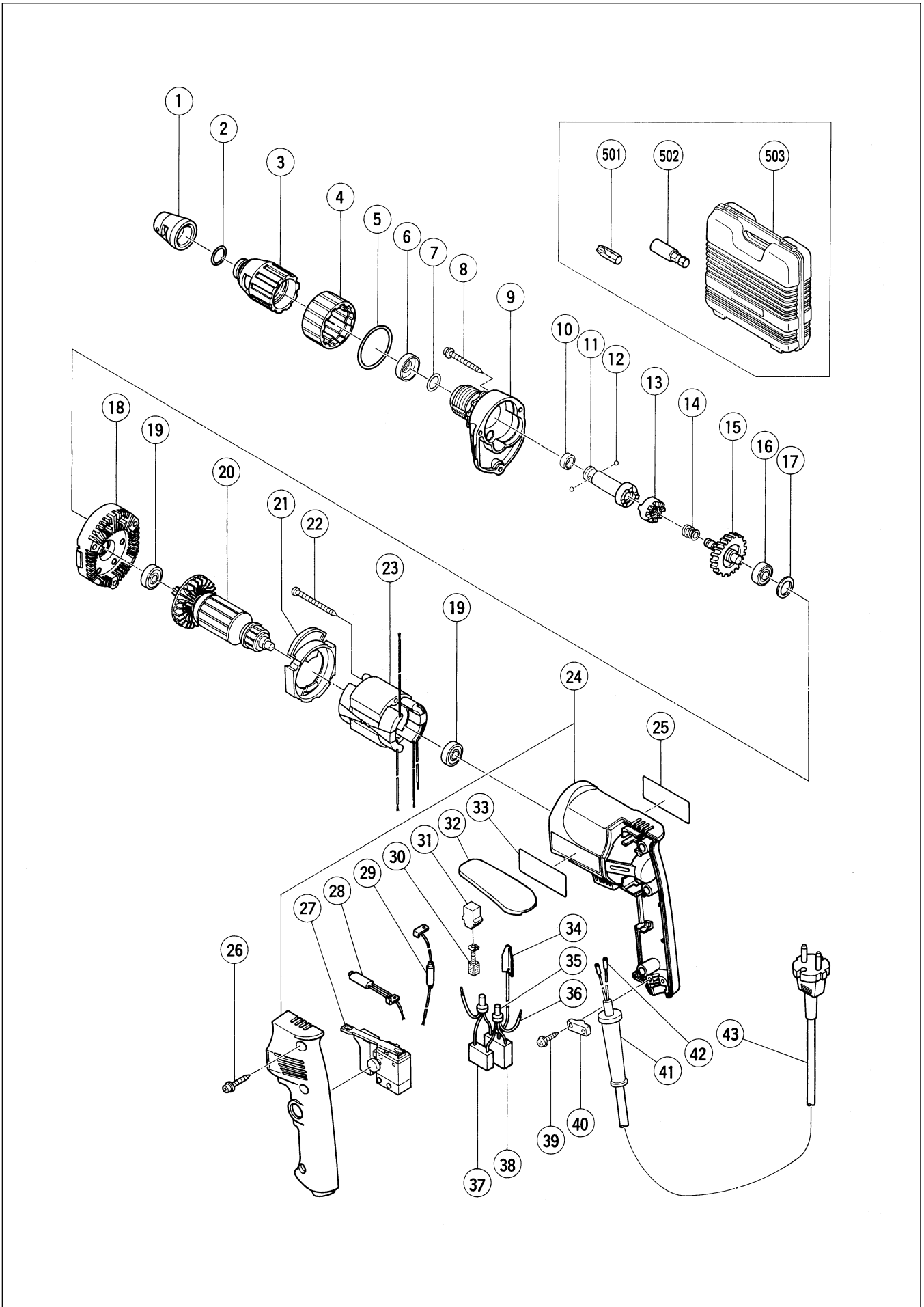


Assembly Diagram for W 6V3



PARTS

W 6V3

ITEM NO.	CODE NO.	DESCRIPTION	NO. USED	REMARKS	
*	1	317-672	SUB STOPPER (A) FOR BIT HOLDER (41L)	1	FOR KUW,NZL,GBR,ITA,FRG,FRA,HOL,FIN, AUT,NOR,SWE,DEN,ESP,KOR
*	1	317-673	SUB STOPPER (C) FOR BIT HOLDER (75L)	1	FOR AUS,FRG,CHN
*	1	318-629	SUB STOPPER (E) FOR BIT HOLDER	1	FOR USA,CAN
	2	876-031	O-RING (S-16)	1	
	3	317-666	LOCATOR (A)	1	
	4	317-665	LOCK SLEEVE (A)	1	
	5	873-731	O-RING (S-28)	1	
	6	971-468	FRINGER (A)	1	
	7	317-662	O-RING (F)	1	
	8	306-664	TAPPING SCREW (W/FLANGE) D4X40	3	
	9	318-342	GEAR COVER ASS'Y	1	INCLUD.7
	10	872-573	SET RING	1	
	11	318-341	SOCKET (A) ASS'Y	1	INCLUD.10,12
	12	959-148	STEEL BALL D3.175 (10 PCS.)	2	
	13	307-016	CLUTCH DISC	1	
	14	306-024	SPRING	1	
	15	318-340	GEAR	1	
	16	608-VVM	BALL BEARING 608VVC2PS2L	1	
	17	987-641	WASHER (A)	1	
	18	318-339	INNER COVER ASS'Y	1	INCLUD.16,17
	19	608-VVM	BALL BEARING 608VVC2PS2L	2	
*	20	360-510C	ARMATURE 110V	1	
*	20	360-509U	ARMATURE ASS'Y 115V	1	INCLUD.19
*	20	360-510E	ARMATURE 220V-230V	1	
*	20	360-510F	ARMATURE 240V	1	
	21	305-398	FAN GUIDE (B)	1	
	22	950-515	TAPPING SCREW D4X50	2	
*	23	340-436C	STATOR 110V-115V	1	
*	23	340-436E	STATOR 220V-230V	1	
*	23	340-224F	STATOR 240V	1	
	24	317-659	HOUSING.HANDLE COVER SET	1	
	25		NAME PLATE	1	
	26	302-086	TAPPING SCREW (W/FLANGE) D4X20 (BLACK)	3	
*	27	314-916	SPEED CONTROL SWITCH (2P) 100V-115V	1	
*	27	314-921	SPEED CONTROL SWITCH (2P) 220V-240V	1	
*	28	317-668	INTERNAL WIRE (A)	1	
*	28	314-917	INTERNAL WIRE (B) (BLUE)	1	FOR KUW,USA,CAN
*	29	317-669	INTERNAL WIRE (B)	1	
*	29	314-918	INTERNAL WIRE (B) (BROWN)	1	FOR KUW,USA,CAN
*	30	999-041	CARBON BRUSH (1 PAIR)	2	
*	30	999-072	CARBON BRUSH (AUTO STOP TYPE) (1 PAIR)	2	FOR USA,CAN
	31	955-203	BRUSH HOLDER	2	
	32	317-676	HOOK (A)	1	
	33		HITACHI LABEL	1	
*	34	992-635	EARTH TERMINAL	1	EXCEPT FOR KUW,USA,CAN
*	35	959-140	CONNECTOR 50091 (10 PCS.)	2	EXCEPT FOR KUW,USA,CAN
*	36	317-667	INTERNAL WIRE	2	EXCEPT FOR KUW,USA,CAN
*	37	930-039	NOISE SUPPRESSOR	1	EXCEPT FOR KUW,USA,CAN
*	38	994-273	NOISE SUPPRESSOR	1	EXCEPT FOR KUW,USA,CAN
	39	305-812	TAPPING SCREW (W/FLANGE) D4X16 (BLACK)	2	

* : ALTERNATIVE PARTS

10 - 99

PARTS

W 6V3

ITEM NO.	CODE NO.	DESCRIPTION	NO. USED	REMARKS		
40	937-631	CORD CLIP	1			
41	953-327	CORD ARMOR D8.8	1			
*	42	981-373	TUBE (D)	2	FOR CORD	
*	43	500-409Z	CORD	1	(CORD ARMOR D8.8)	
*	43	500-423Z	CORD	1	(CORD ARMOR D8.8) FOR KUW	
*	43	500-439Z	CORD	1	(CORD ARMOR D8.8) FOR NZL,AUS	
*	43	500-436Z	CORD	1	(CORD ARMOR D8.8) FOR GBR (230V)	
*	43	971-675Z	CORD	1	(CORD ARMOR D8.8) FOR GBR (110V)	
*	43	938-310P	CORD	1	(CORD ARMOR D8.8) FOR USA,CAN	
*	43	500-456Z	CORD	1	(CORD ARMOR D8.8) FOR CHN	

STANDARD ACCESSORIES

W 6V3

ITEM NO.	CODE NO.	DESCRIPTION	NO. USED	REMARKS	
	501	971-511Z	+ DRIVER BIT (A) NO.2 25L	1	
*	502	317-674	MAGNETIC BIT HOLDER ASS'Y (41L)	1	INCLUD.501 FOR KUW,NZL,GBR,ITA,FRG, FRA,HOL,FIN,AUT,NOR,SWE,DEN,ESP, KOR
*	502	982-554Z	MAGNETIC BIT HOLDER (75L)	1	FOR AUS,FRG,USA,CAN,CHN
*	503	310-904	CASE	1	FOR ESP

OPTIONAL ACCESSORIES

ITEM NO.	CODE NO.	DESCRIPTION	NO. USED	REMARKS	
	601	317-670	SUB STOPPER (B) FOR H3/8,H10 HEX. SOCKET	1	
	602	317-671	SUB STOPPER (B) FOR H5/16 HEX. SOCKET	1	
	603	317-827	SUB STOPPER (B) H1/4 HEX. SOCKET	1	
	604	985-330	MAGNETIC HEX. SOCKET 3/8"X65L	1	
	605	985-321	MAGNETIC HEX. SOCKET 10MMX65L	1	
	606	985-322	MAGNETIC HEX. SOCKET 5/16"X65L	1	
	607	985-332	MAGNETIC HEX. SOCKET 1/4"X65L	1	
	608	985-326	NON-MAGNETIC HEX. SOCKET 3/8" 65L	1	
	609	985-329	NON-MAGNETIC HEX. SOCKET 10MM 65L	1	
	610	985-327	NON-MAGNETIC HEX. SOCKET 5/16" 65L	1	
	611	985-328	NON-MAGNETIC HEX. SOCKET 1/4" 65L	1	
	612	982-563Z	NON-MAGNETIC BIT HOLDER	1	
	613	985-333	+ DRIVER BIT NO.1 25L	1	
	614	971-512Z	+ DRIVER BIT (A) NO.3 25L	1	
	615	985-334	+ DRIVER BIT NO.1 25L W/STEPPED ROD	1	
	616	985-335	+ DRIVER BIT NO.2 25L W/STEPPED ROD	1	
	617	985-336	- DRIVER BIT 4MMX25	1	
	618	985-337	- DRIVER BIT 5MMX25	1	
	619	985-338	- DRIVER BIT 6MMX25	1	
	620	985-339	- DRIVER BIT 8MMX25	1	
	621	985-340	- DRIVER BIT 4MMX25 (W/STEPPED ROD)	1	
	622	985-341	- DRIVER BIT 5MMX25 (W/STEPPED ROD)	1	
	623	985-342	HEX. BIT 4MMX25L	1	
	624	985-343	HEX. BIT 5MMX25L	1	
	625	985-344	HEX. BIT 6MMX25L	1	
	626	310-904	CASE	1	
	627	950-511	HOOK	1	

* : ALTERNATIVE PARTS

Printed in Japan 10 - 99
(991020 N)