

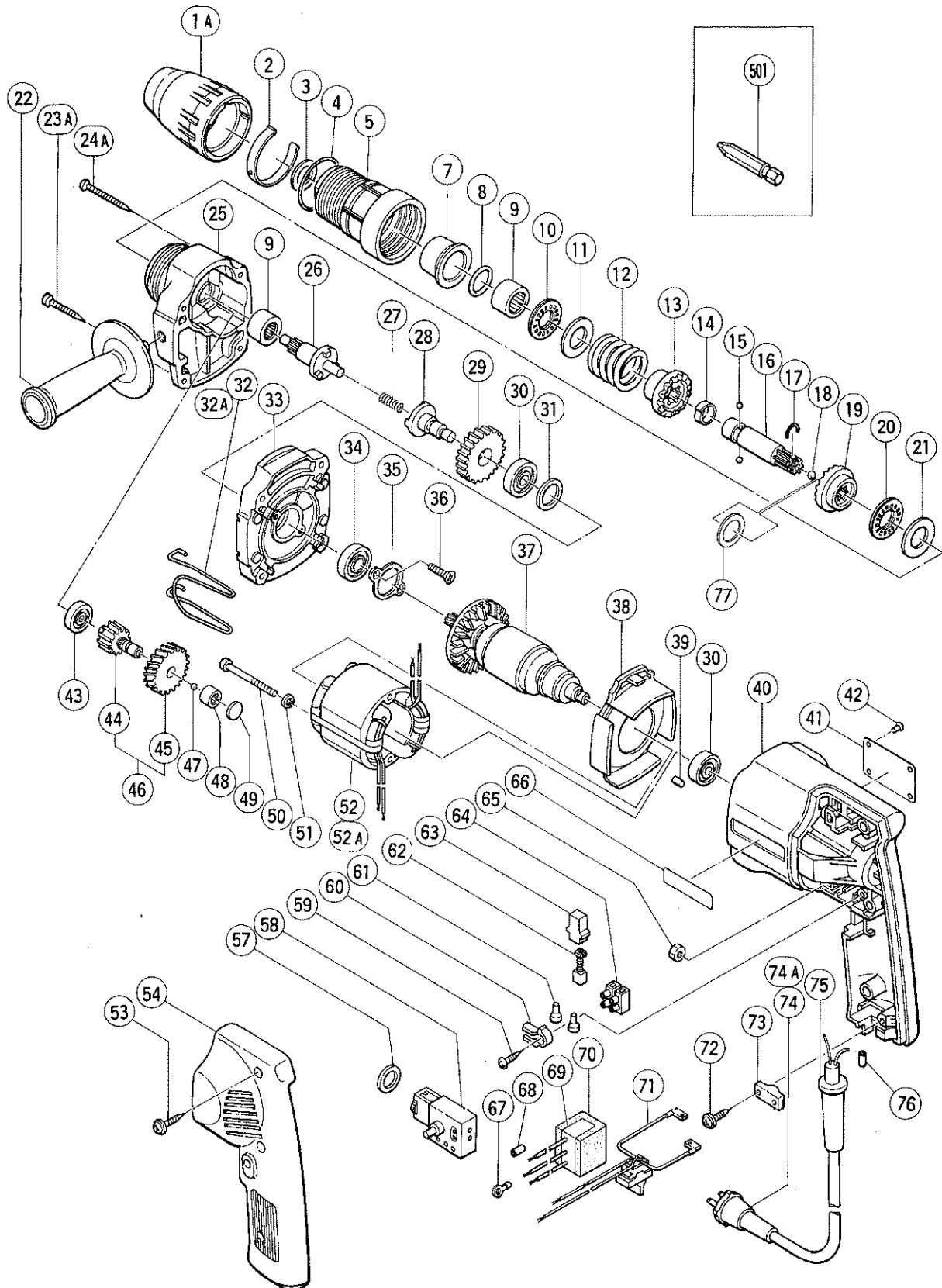
## ELECTRIC TOOL PARTS LIST

■ SCREW DRIVER

1993 · 5 · 31

Model W 6VE

(E3)



## PARTS

W 6VE

ITEM NO.	CODE NO.	DESCRIPTION	NO. USED	REMARKS
1A	993-165	ADJUSTING RING ASS'Y	1	INCLUD.2
2	992-668	CLICK RING	1	
3	992-669	WASHER	1	TILL 4.1985
4	872-767	O - RING (S - 32)	1	
5	992-706	PROTECTION SLEEVE	1	
7	992-665	ADJUSTING SLEEVE ASS'Y	1	INCLUD.8,9
8	982-564	O - RING (1AP - 15)	1	
9	993-163	NEEDLE BEARING (M152112)	2	
10	992-704	THRUST NEEDLE BEARING	1	
11	992-664	THRUST WASHER	1	
12	992-703	ADJUSTING SPRING (E)	1	
13	992-701	RATCHET (B)	1	
14	872-573	SET RING	1	
15	959-148	STEEL BALL D3.175 (10 PCS.)	2	
16	992-702	SPINDLE	1	
17	992-660	RETAINING RING	1	
18	959-150	STEEL BALL D6.35 (10 PCS.)	1	
19	992-700	RATCHET (A)	1	
20	992-697	THRUST NEEDLE BEARING (NTN K81103T2)	1	
21	992-699	THRUST WASHER	1	
*	22	954-672	1	SIDE HANDLE EXCEPT FOR USA,CAN
	23A	931-875	2	TAPPING SCREW D5X35
	24A	955-912	2	TAPPING SCREW D5X45
*	25	992-708	1	GEAR COVER ASS'Y INCLUD.9
*	25	992-709	1	GEAR COVER ASS'Y INCLUD.9 FOR USA,CAN
	26	993-160	1	CLUTCH (B)
	27	992-656	1	SPRING
	28	992-696	1	CLUTCH (A)
	29	992-695	1	FINAL GEAR
	30	608-VVM	2	BALL BEARING 608VVMC2EPS2L
	31	933-545	1	WASHER (A)
*	32	950-511	1	HOOK
*	32A	950-551	1	HOOK FOR FRG,FRA,HOL
	33	995-310	1	INNER COVER
	34	608-DDM	1	BALL BEARING 608DDMC2EPS2S
	35	971-659	1	BEARING HOLDER
	36	990-430	2	SEAL LOCK FLAT HD. SCREW M4X10
*	37	992-707C	1	ARMATURE 110V - 127V
*	37	992-707E	1	ARMATURE 220V - 230V
*	37	992-707F	1	ARMATURE 240V
	38	971-642	1	FAN GUIDE
	39	946-362	1	BEARING LOCK
	40	981-110	1	HOUSING
	41		1	NAME PLATE
*	42	932-642	4	RIVET D2.5X2.8 FOR CAN
	43	626-VVM	1	BALL BEARING 626VVMC2ERPS2S
	44	993-161	1	SECOND PINION (E)
	45	992-717	1	FIRST GEAR
	46	992-698	1	SECOND PINION (E) ASS'Y INCLUD.44,45
	47	959-155	1	STEEL BALL D3.97 (10 PCS.)
	48	670-714	1	NEEDLE BEARING (HK0810)

\*: ALTERNATIVE PARTS

## PARTS

W 6VE

ITEM NO.	CODE NO.	DESCRIPTION	NO. USED	REMARKS
49	992-715	WASHER (C)	1	
50	949-278	MACHINE SCREW M4X55 (10 PCS.)	2	
51	949-453	SPRING WASHER M4 (10 PCS.)	2	
*	52	985-313C	1	STATOR 110V - 115V
*	52	985-313E	1	STATOR 220V - 230V
*	52	985-313F	1	STATOR 240V
*	52	985-313L	1	STATOR 220V FOR SUI
*	52	985-313G	1	STATOR 220V - 230V FOR SAF,AUT
*	52	985-313J	1	STATOR 220V - 230V FOR NZL,NOR
*	52	985-313H	1	STATOR 240V FOR GBR
*	52	985-313K	1	STATOR 110V FOR GBR
*	52A	985-313M	1	STATOR 220V - 230V FOR ITA,FRG,BEL,FRA,HOL,DEN,FIN,SWE, ESP
	53	956-636	3	TAPPING SCREW (W/WASHER) D4X25
	54	981-112	1	HANDLE COVER
	57	971-510	1	PACKING (A)
*	58	985-347	1	SWITCH 100V - 127V (2P PILLAR TYPE) W/LOCK
*	58	982-559Z	1	SWITCH 220V - 240V (2P PILLAR TYPE)
	59	954-004	2	TAPPING SCREW D4X18
	60	971-655	2	HOLDER PIECE
	61	959-140	2	CONNECTOR 50091 (10 PCS.)
	62	999-041	2	CARBON BRUSH (1 PAIR)
	63	955-203	2	BRUSH HOLDER
*	64	958-308Z	1	PILLAR TERMINAL (A) EXCEPT FOR GBR
	65	949-554	2	NUT M4 (10 PCS.)
	66	957-561	1	HITACHI LABEL
*	67	980-063	1	TERMINAL FOR NOISE SUPPRESSOR
*	68	981-373	1	TUBE (D) FOR NOISE SUPPRESSOR
*	69	994-273	1	NOISE SUPPRESSOR
*	70	930-153	1	SUPPORT (B) FOR NOISE SUPPRESSOR
*	71	985-315	1	REVERSING SWITCH
*	71	985-316	1	REVERSING SWITCH FOR INA,SYR,KUW,AUS
*	71	985-317	1	REVERSING SWITCH ASS'Y INCLUD.70 FOR NZL,GBR,SAF,ITA,FRG,FRA, DEN,FIN,SWE,NOR,SUI
*	71	985-318	1	REVERSING SWITCH ASS'Y INCLUD.70 FOR HOL,AUT
	72	984-750	2	TAPPING SCREW (W/FLANGE) D4X18
	73	937-831	1	CORD CLIP
*	74	500-201Z	1	CORD (CORD ARMOR D10.2)
*	74	500-223Z	1	CORD (CORD ARMOR D10.2) FOR KUW,SIN
*	74	500-228Z	1	CORD (CORD ARMOR D8.2) FOR NGU,NZL,AUS
*	74	500-231Z	1	CORD (CORD ARMOR D8.2) FOR GBR (110V),SAF
*	74	500-240Z	1	CORD (CORD ARMOR D8.2) FOR USA,CAN
*	74	500-245Z	1	CORD (CORD ARMOR D10.2) FOR SYR
*	74	500-247Z	1	CORD (CORD ARMOR D10.2) FOR SWE,DEN,FIN, NOR
*	74	500-248Z	1	CORD (CORD ARMOR D10.2) FOR SUI
*	74	500-409Z	1	CORD (CORD ARMOR D8.2) FOR INA,SUR,ITA,FRA, FRG,HOL,AUT
*	74A	500-436Z	1	CORD (CORD ARMOR D8.2) FOR GBR (240V)
*	75	930-487	1	CORD ARMOR D8.2
*	75	930-028	1	CORD ARMOR D10.2

\*: ALTERNATIVE PARTS



**OPTIONAL ACCESSORIES**

W 6VE

ITEM NO.	CODE NO.	DESCRIPTION	NO. USED	REMARKS
601	992-670	+ DRIVER BIT (B) NO.1 50L	1	
602	992-672	+ DRIVER BIT (B) NO.3 50L	1	
603	992-673	+ DRIVER BIT (B) NO.1 50L W/STEPPED ROD	1	
604	992-674	+ DRIVER BIT (B) NO.2 50L W/STEPPED ROD	1	
605	992-675	- DRIVER BIT (B) 4MMX50	1	
606	992-676	- DRIVER BIT (B) 5MMX50	1	
607	992-677	- DRIVER BIT (B) 6MMX50	1	
608	992-678	- DRIVER BIT (B) 8MMX50	1	
609	992-679	- DRIVER BIT (B) 4MMX50 (W/STEPPED ROD)	1	
610	992-680	- DRIVER BIT (B) 5MMX50 (W/STEPPED ROD)	1	
611	992-681	HEX. BIT 3MMX25L	1	
612	985-342	HEX. BIT 4MMX25L	1	
613	985-343	HEX. BIT 5MMX25L	1	
614	985-344	HEX. BIT 6MMX25L	1	
615	992-682	HEX. BIT 8MMX25L	1	
616	985-330	MAGNETIC HEX. SOCKET 3/8"X65L	1	
617	985-322	MAGNETIC HEX. SOCKET 5/16"X65L	1	
618	985-332	MAGNETIC HEX. SOCKET 1/4"X65L	1	
619	985-321	MAGNETIC HEX. SOCKET 10MMX65L	1	
620	992-683	MAGNETIC HEX. SOCKET 7MMX65L	1	
621	992-684	MAGNETIC HEX. SOCKET 5.5MMX65L	1	
622	982-589	CASE (STEEL) ASS'Y	1	INCLUD.623
623	945-251	HITACHI LABEL	1	
624	985-326	NON - MAGNETIC HEX. SOCKET 3/8" 65L	1	
625	985-327	NON - MAGNETIC HEX. SOCKET 5/16" 65L	1	
626	985-328	NON - MAGNETIC HEX. SOCKET 1/4" 65L	1	
627	985-329	NON - MAGNETIC HEX. SOCKET 10MM 65L	1	
628	992-689	NON - MAGNETIC HEX. SOCKET 7MM 65L	1	
629	992-688	NON - MAGNETIC HEX. SOCKET 5.5MM 65L	1	
630	982-554Z	MAGNETIC BIT HOLDER	1	
631	982-583Z	NON - MAGNETIC BIT HOLDER	1	
632	985-333	+ DRIVER BIT NO.1 25L	1	
633	971-511Z	+ DRIVER BIT (A) NO.2 25L	1	
634	971-512Z	+ DRIVER BIT (A) NO.3 25L	1	
635	985-334	+ DRIVER BIT NO.1 25L W/STEPPED ROD	1	
636	985-335	+ DRIVER BIT NO.2 25L W/STEPPED ROD	1	
637	985-336	- DRIVER BIT 4MMX25	1	
638	985-337	- DRIVER BIT 5MMX25	1	
639	985-338	- DRIVER BIT 6MMX25	1	
640	985-339	- DRIVER BIT 8MMX25	1	
641	985-340	- DRIVER BIT 4MMX25 (W/STEPPED ROD)	1	
642	985-341	- DRIVER BIT 5MMX25 (W/STEPPED ROD)	1	
643	992-690	BIT GUIDE FOR BIT HOLDER	1	
644	992-691	BIT GUIDE FOR HEX. SOCKET 3/8",10MM	1	
645	992-692	BIT GUIDE FOR HEX. SOCKET 5/16"	1	
646	992-693	BIT GUIDE FOR HEX. SOCKET 1/4",7MM	1	
647	992-694	BIT GUIDE FOR HEX. SOCKET 5.5MM	1	

\* : ALTERNATIVE PARTS