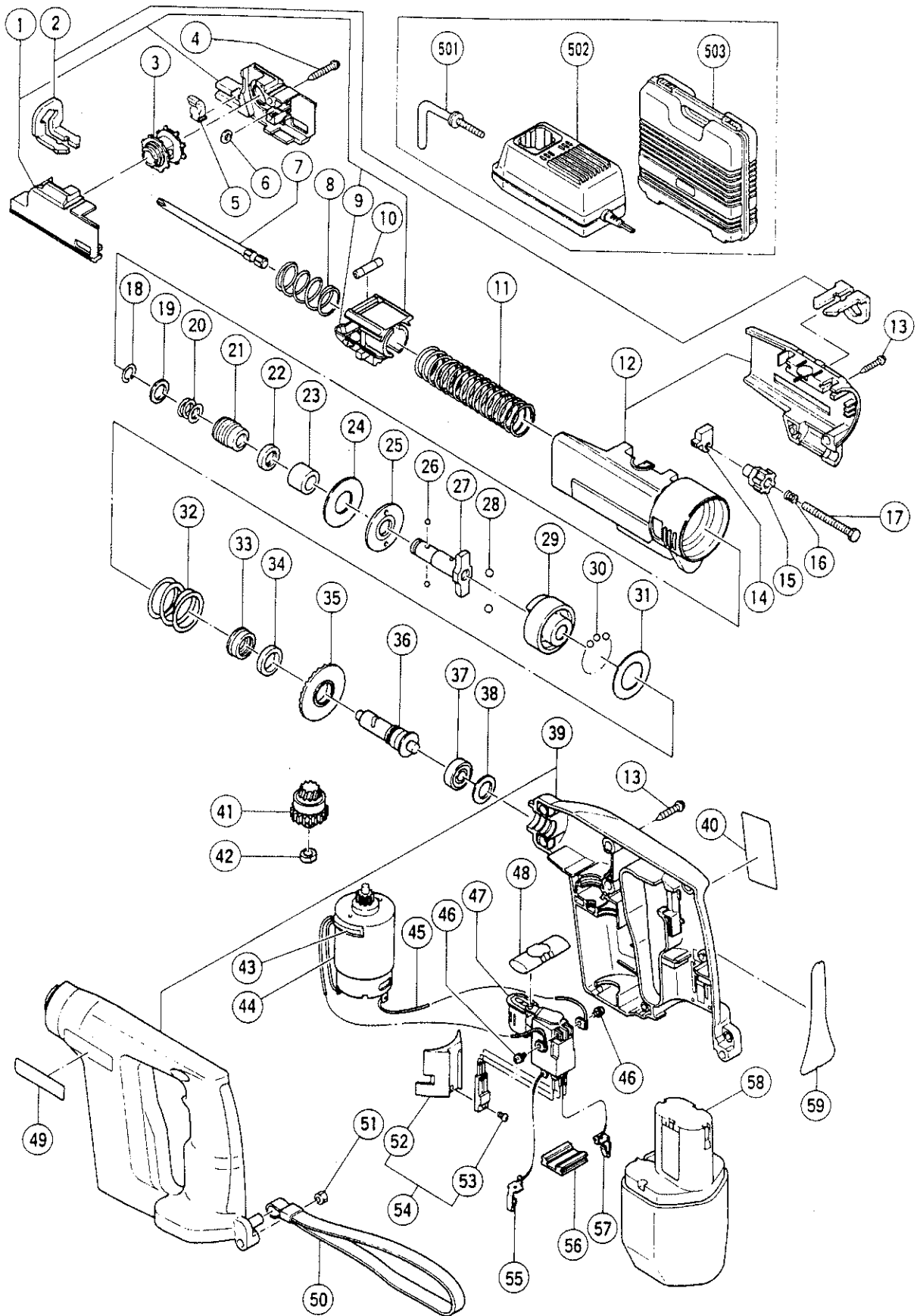


Assembly Diagram for WF 4DY



PARTS

WF 4DY

ITEM NO.	CODE NO.	DESCRIPTION	NO. USED	REMARKS
1	313-733	SLIDER ASS'Y	1	INCLUD.9
2	312-420	TOP ADJUSTER (A).(B) SET	1	
3	313-758	SPROCKET	1	
4	304-035	TAPPING SCREW (W/FLANGE) D4X25 (BLACK)	2	
5	312-421	SCREW STOPPER (A)	1	
6	312-424	BIT GUIDE	1	
7	313-880	+ DRIVER BIT (A) NO.2 X 109L	1	750-550
8	312-814	SPRING (B)	1	
9	312-510	LINK PIECE	1	
10	312-418	ROLLER	1	
11	312-417	SPRING (A)	1	
12	312-416	SLIDER CASE (A).(B) SET	1	
13	302-086	TAPPING SCREW (W/FLANGE) D4X20 (BLACK)	13	
14	312-419	STOPPER	1	
15	312-428	KNOB	1	
16	312-430	SPRING	1	
17	312-429	BOLT M5X50	1	
18	995-933	RETAINING RING	1	
19	307-899	RETAINER	1	
20	995-931	GUIDE SPRING	1	
21	307-782	GUIDE SLEEVE (A)	1	
22	302-326	OIL SEAL	1	
23	302-327	METAL	1	
24	302-328	RUBBER WASHER	1	
25	302-329	WASHER (F)	1	
26	959-148	STEEL BALL D3.175 (10 PCS.)	2	
27	309-171	ANVIL (H)	1	
28	959-154	STEEL BALL D5.556 (10 PCS.)	2	
29	302-330	HAMMER	1	
30	959-155	STEEL BALL D3.97 (10 PCS.)	21	
31	302-331	WASHER (G)	1	
32	312-413	SPRING	1	
33	310-321	STOPPER (A)	1	
34	941-732	WASHER (A)	1	
35	308-495	FINAL GEAR	1	
36	308-497	SPINDLE	1	
37	608-VVM	BALL BEARING 608VVMC2EPS2L	1	
38	933-545	WASHER (A)	1	
39	313-732	HOUSING (A).(B) SET	1	INCLUD.59
40		NAME PLATE	1	
41	308-496	SECOND PINION	1	
42	997-752	METAL	1	
43	312-431	THERMAL PROTECTOR	1	
44	312-425	MOTOR ASS'Y	1	INCLUD.43.45
45	312-452	INTERNAL WIRE	1	
46	994-532	MACHINE SCREW (W/SP. WASHER) M3X5	2	
47	312-426	SWITCH ASS'Y (1P SCREW TYPE) W/O LOCK	1	INCLUD.55.57
48	306-151	PUSHING BUTTON	1	
49		HITACHI LABEL	1	
50	306-952	STRAP	1	
51	949-566	LOCK NUT M5 (10 PCS.)	1	

*: ALTERNATIVE PARTS

PARTS

WF 4DY

ITEM NO.	CODE NO.	DESCRIPTION	NO. USED	REMARKS
52	311-143	FIN	1	
53	311-131	S - TIGHT SCREW D3.5X6	1	
54	311-431	FIN ASS'Y	1	INCLUD.52.53
55	310-329	TERMINAL (C) (BLUE)	1	
56	991-668	TERMINAL SUPPORT	1	
57	310-328	TERMINAL (C) (BROWN)	1	
58	302-758	BATTERY EB 12 (W/ENGLISH N.P.)	1	
58	300-003	BATTERY EB 12 (W/FRENCH N.P.)	1	FOR FRA
59	312-815	GRIP TAPE	1	

STANDARD ACCESSORIES

ITEM NO.	CODE NO.	DESCRIPTION	NO. USED	REMARKS
501	307-343	HOOK (A)	1	
502		CHARGER(MODEL UC 12Y)	1	
503	312-432	CASE	1	

OPTIONAL ACCESSORIES

ITEM NO.	CODE NO.	DESCRIPTION	NO. USED	REMARKS
601	992-671	+ DRIVER BIT (B) NO.2 50L	1	
602	992-672	+ DRIVER BIT (B) NO.3 50L	1	
603	996-177	NON - MAGNETIC HEX. SOCKET 8MM 65L	1	
604	985-329	NON - MAGNETIC HEX. SOCKET 10MM 65L	1	
605	996-178	NON - MAGNETIC HEX. SOCKET 12MM 65L	1	
606	996-179	NON - MAGNETIC HEX. SOCKET 13MM 65L	1	
607	996-180	NON - MAGNETIC HEX. SOCKET 14MM 65L	1	
608	996-185	NON - MAGNETIC HEX. SOCKET 15MM 65L	1	
609	996-181	NON - MAGNETIC HEX. SOCKET 16MM 65L	1	
610	996-182	NON - MAGNETIC HEX. SOCKET 17MM 65L	1	
611	996-186	NON - MAGNETIC HEX. SOCKET 19MM 65L	1	
612	959-183	DRILL BIT FOR WOOD (HEX. SHAFT) D14X83	1	
613	996-197	HEX. SOCKET (LONG) 21MMX166L	1	
614	996-195	DRILL CHUCK AND ADAPTER SET	1	INCLUD.615
615	307-543	CHUCK ADAPTER	1	
616	310-396	STOPPER ASS'Y W/O MOUTH	1	
617	309-922	GREASE FOR IMPACT DRIVER (500G)	1	

*: ALTERNATIVE PARTS