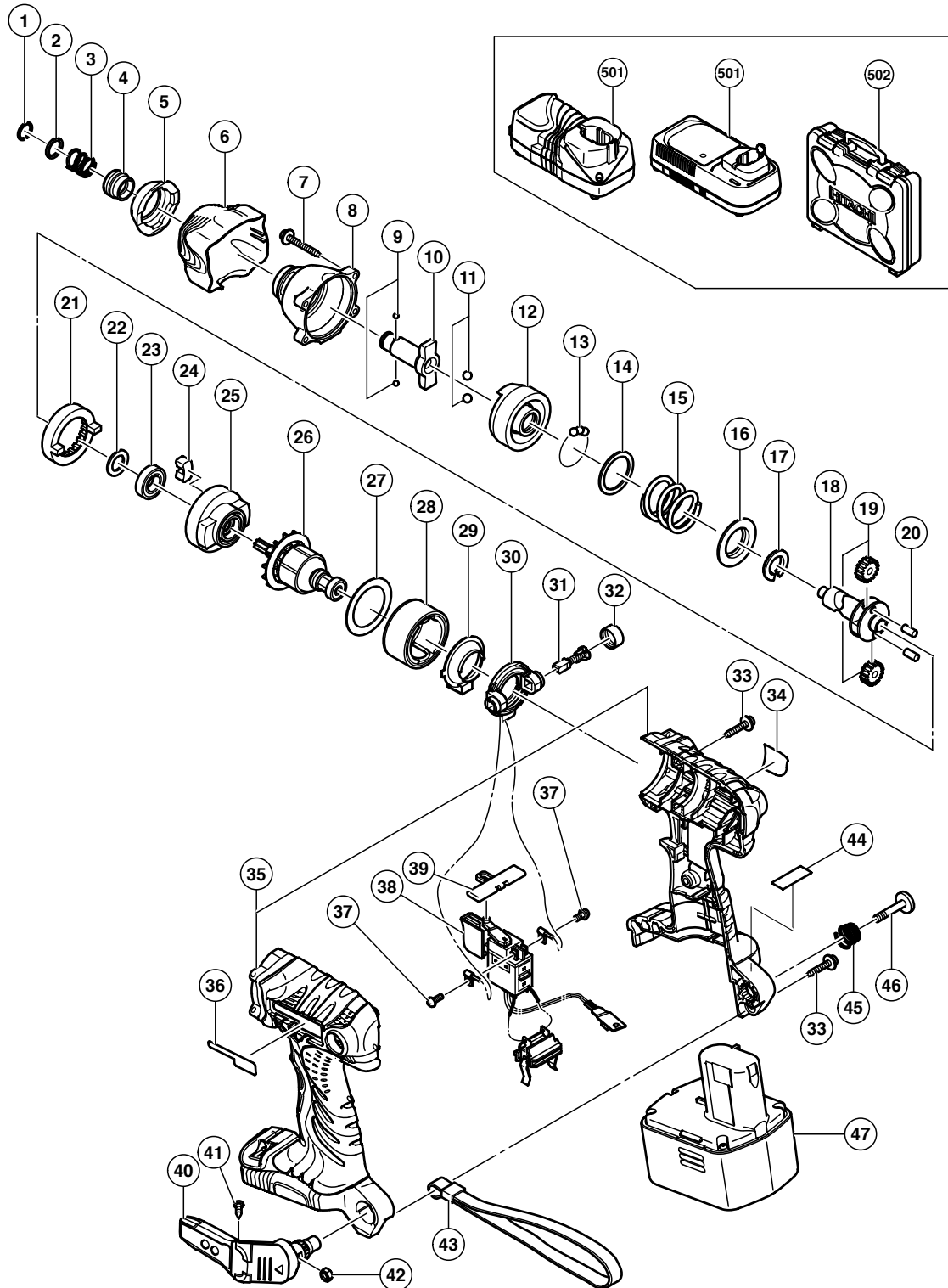


ELECTRIC TOOL PARTS LIST

CORDLESS IMPACT DRIVER
Model WH 14DMR

2005 · 7 · 8
(E1)



PARTS

WH 14DMR

ITEM NO.	CODE NO.	DESCRIPTION	NO. USED	REMARKS
1	315-984	RETAINING RING	1	
2	315-983	WASHER (D)	1	
3	321-657	GUIDE SPRING (A)	1	
4	322-717	GUIDE SLEEVE (D)	1	
5	324-238	FRONT CAP (C)	1	
6	324-239	PROTECTOR (D)	1	
7	307-851	TAPPING SCREW (W/SP. WASHER) D4X30 (BLACK)	4	
8	324-216	HAMMER CASE	1	
9	319-535	STEEL BALL D3.5 (10 PCS.)	2	
* 10	324-236	ANVIL	1	
* 10	324-602	ANVIL (B)	1	FOR KOR
11	959-154	STEEL BALL D5.556 (10 PCS.)	2	
12	324-218	HAMMER	1	
13	959-148	STEEL BALL D3.175 (10 PCS.)	28	
14	315-978	WASHER (J)	1	
15	324-224	HAMMER SPRING (F)	1	
16	316-172	WASHER (S)	1	
17	324-222	STOPPER (B)	1	
18	324-232	SPINDLE	1	
19	321-667	IDLE GEAR SET (2 PCS.)	2	
20	324-234	NEEDLE ROLLER (A)	2	
21	320-877	RING GEAR (C)	1	
22	319-911	WASHER (E)	1	
23	690-1VV	BALL BEARING 6901VVCMP2L	1	
24	324-230	DAMPER (A)	2	
25	324-229	INNER COVER (B)	1	
26	360-712	ARMATURE AND PINION SET	1	
27	324-607	SIDE YOKE (A)	1	
28	324-235	MAGNET (F) ASS'Y	1	INCLUD. 27
29	324-228	DUST GUARD FIN (B)	1	
30	324-226	BRUSH BLOCK	1	
31	999-054	CARBON BRUSH 5X6X11.5 (1 PAIR)	2	
32	319-918	BRUSH CAP	2	
33	302-086	TAPPING SCREW (W/FLANGE) D4X20 (BLACK)	8	
34		NAME PLATE	1	
35	324-237	HOUSING (A).(B) SET	1	
36	324-513	HITACHI PLATE	1	
37	994-532	MACHINE SCREW (W/SP. WASHER) M3X5	2	
38	324-227	DC-SPEED CONTROL SWITCH	1	
39	324-225	PUSHING BUTTON (B)	1	
40	321-918	HOOK ASS'Y (W/LIGHT)	1	INCLUD. 41, 42
41	321-672	TAPPING SCREW D2X6	2	
42	320-288	V-LOCK NUT M5	1	
43	306-952	STRAP (BLACK)	1	
* 44		CAUTION PLATE (B)	1	FOR USA, CAN
45	319-926	HOOK SPRING	1	
46	320-881	SPECIAL SCREW (A) M5	1	
* 47	322-883	BATTERY EB 1426H (W/ENGLISH N.P.)	2	
* 47	315-129	BATTERY EB 14B (W/ENGLISH N.P.)	2	
* 47	315-130	BATTERY EB 14B (W/ENGLISH N.P.)	2	FOR NZL, AUS, KOR
* 47	318-372	BATTERY EB 1430H (W/ENGLISH N.P.)	2	

STANDARD ACCESSORIES

ITEM NO.	CODE NO.	DESCRIPTION	NO. USED	REMARKS	
* 501		CHARGER (MODEL UC 14YFA)	1		
* 501		CHARGER (MODEL UC 18YG)	1		
502	323-230	CASE	1		

OPTIONAL ACCESSORIES

ITEM NO.	CODE NO.	DESCRIPTION	NO. USED	REMARKS	
601	321-823	DRILL CHUCK AND ADAPTER SET	1	INCLUD. 616, 618	
602	309-922	GREASE FOR IMPACT DRIVER (500G)	1		
603	992-671	+ DRIVER BIT (B) NO. 2 50L	1		
604	992-672	+ DRIVER BIT (B) NO. 3 50L	1		
605	996-177	NON-MAGNETIC HEX. SOCKET 8MM 65L	1		
606	985-329	NON-MAGNETIC HEX. SOCKET 10MM 65L	1		
607	996-178	NON-MAGNETIC HEX. SOCKET 12MM 65L	1		
608	996-179	NON-MAGNETIC HEX. SOCKET 13MM 65L	1		
609	996-180	NON-MAGNETIC HEX. SOCKET 14MM 65L	1		
610	996-185	NON-MAGNETIC HEX. SOCKET 15MM 65L	1		
611	996-181	NON-MAGNETIC HEX. SOCKET 16MM 65L	1		
612	996-182	NON-MAGNETIC HEX. SOCKET 17MM 65L	1		
613	996-186	NON-MAGNETIC HEX. SOCKET 19MM 65L	1		
614	996-197	HEX. SOCKET (LONG) 21MMX166L	1		
615	996-184	BIT PIECE	1		
616	987-575	CHUCK WRENCH FOR 10VLB-D, 10VLR-D	1		
617	930-119	CHUCK WRENCH 6.5G	1		
618	307-543	CHUCK ADAPTER	1		

