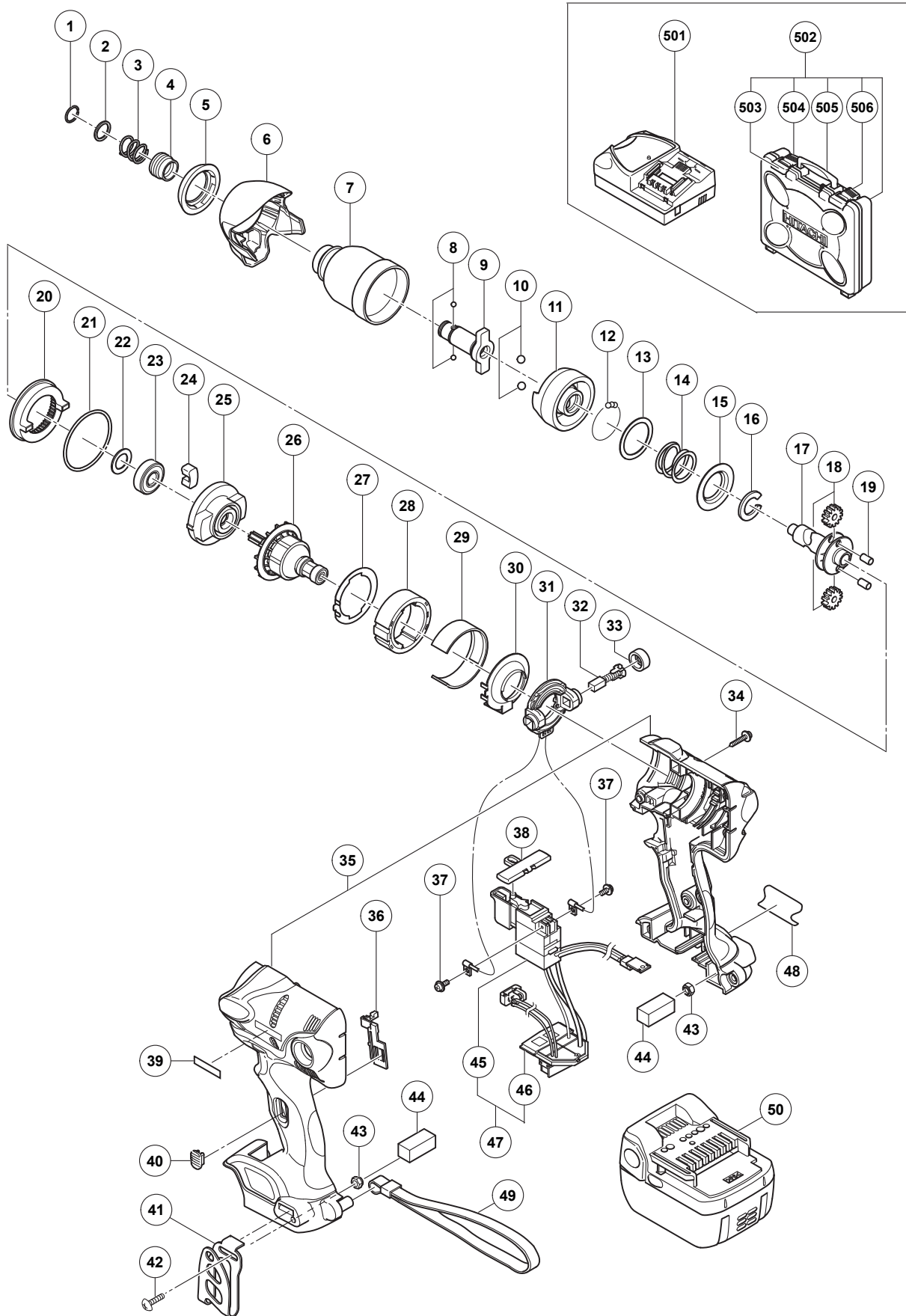


ELECTRIC TOOL PARTS LIST

CORDLESS IMPACT DRIVER Model WH 14DSL

2008·2·6
(E1)



PARTS

WH 14DSL

ITEM NO.	CODE NO.	DESCRIPTION	NO. USED	REMARKS
1	315-984	RETAINING RING	1	
2	315-983	WASHER (D)	1	
3	321-657	GUIDE SPRING (D)	1	
4	322-717	GUIDE SLEEVE (D)	1	
5	327-766	FRONT CAP (F)	1	
6	327-765	PROTECTOR (J)	1	
7	327-003	HAMMER CASE	1	
8	319-535	STEEL BALL D3.5 (10 PCS.)	2	
9	329-709	ANVIL (D)	1	
10	959-154	STEEL BALL D5.556 (10 PCS.)	2	
11	326-789	HAMMER (F)	1	
12	959-148	STEEL BALL D3.175 (10 PCS.)	28	
13	315-978	WASHER (J)	1	
14	321-660	HAMMER SPRING (D)	1	
15	316-172	WASHER (S)	1	
16	316-171	STOPPER	1	
17	321-666	SPINDLE (D)	1	
18	321-667	IDLE GEAR SET (2 PCS.)	2	
19	319-914	NEEDLE ROLLER	2	
20	326-787	RING GEAR (E)	1	
21	983-852	O-RING (S-42)	1	
22	319-911	WASHER (E)	1	
23	323-118	BALL BEARING 6901VV-N	1	
24	319-909	DAMPER	2	
25	326-786	INNER COVER (D)	1	
26	360-752	ARMATURE ASS'Y DC 14.4V	1	
27	323-327	SIDE YOKE	1	
28	322-744	MAGNET (D)	1	
29	324-828	YOKE (A)	1	
30	324-830	DUST GUARD FIN (C)	1	
31	321-662	BRUSH BLOCK	1	
32	999-054	CARBON BRUSH 5X6X11.5 (1 PAIR)	2	
33	319-918	BRUSH CAP	2	
34	301-653	TAPPING SCREW (W/FLANGE) D4X20 (BLACK)	9	
* 35	329-710	HOUSING (A). (B) SET (GREEN)	1	
* 35	329-827	HOUSING (A). (B) SET (WHITE)	1	
* 35	326-795	HOUSING (A). (B) SET (RED)	1	
* 35	329-828	HOUSING (A). (B) SET (BLUE)	1	
36	326-782	LEVER (C)	1	
37	994-532	MACHINE SCREW (W/SP. WASHER) M3X5	2	
38	321-661	PUSHING BUTTON (A)	1	
39		HITACHI LABEL	1	
40	326-783	LEVER (B)	1	
41	326-790	HOOK (A)	1	
42	327-001	M4 TRUSS HD. SCREW (BLACK)	1	
43	327-002	LOCK NUT M4 (BLACK)	2	
44	327-004	PACKING	2	
45	326-784	DC-SPEED CONTROL SWITCH	1	
46	329-708	CONTROLLER	1	
47	329-707	SWITCH ASS'Y	1	INCLUD. 45, 46

