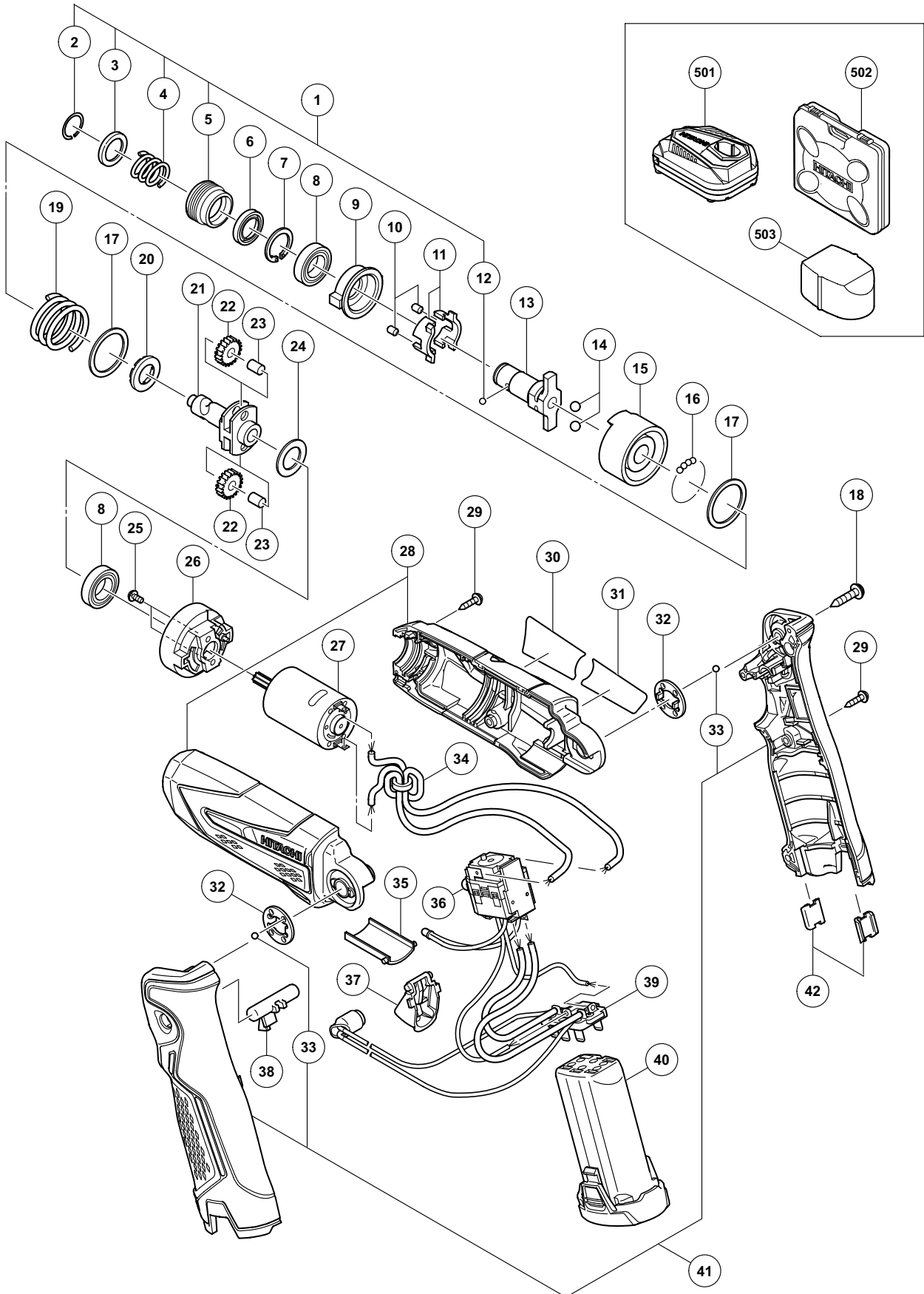


ELECTRIC TOOL PARTS LIST

■ CORDLESS IMPACT DRIVER Model WH 7DL

2013·3·4
(E1)



PARTS

WH 7DL

ITEM NO.	CODE NO.	DESCRIPTION	NO. USED	REMARKS
1	329-538	GUIDE SLEEVE ASS'Y	1	INCLUD. 2-5, 12
2	995-933	RETAINING RING	1	
3	331-959	WASHER (F)	1	
4	322-737	GUIDE SPRING (C)	1	
5	329-537	GUIDE SLEEVE (C)	1	
6	335-424	OIL SEAL	1	
7	335-774	INVERTED RING	1	
8	322-220	BALL BEARING 6801VVCMSRL	2	
9	335-425	METAL	1	
10	335-426	NEEDLE PIN	2	
11	335-427	CARRIER	2	
12	959-148	STEEL BALL D3.175 (10 PCS.)	1	
* 13	335-429	ANVIL (S)	1	
* 13	335-428	ANVIL (L)	1	FOR VIE, SIN, UAE, HKG, THA, IND, CHN, TPE, KOR
14	959-149	STEEL BALL D4.76 (10 PCS.)	2	
15	335-430	HAMMER	1	
16	321-934	STEEL BALL D3 (10 PCS.)	23	
17	335-431	WASHER (J)	2	
18	302-086	TAPPING SCREW (W/FLANGE) D4 X 20 (BLACK)	1	
19	335-432	HAMMER SPRING	1	
20	335-433	STOPPER	1	
21	335-434	SPINDLE	1	
22	335-775	IDLE GEAR SET (2 PCS.)	2	
23	335-436	NEEDLE ROLLER (A)	2	
24	335-776	WASHER (C)	1	
25	330-755	MACHINE SCREW (W/SP. WASHER) M2.6 X 6	2	
26	335-437	RING GEAR	1	
27	335-438	MOTOR DC 7.2 V	1	
28	335-439	HOUSING (A).(B) SET	1	
29	313-687	TAPPING SCREW (W/FLANGE) D3 X 16 (BLACK)	6	
30		NAME PLATE	1	
31		CAUTION LABEL	1	
32	326-315	CLICK PLATE	2	
33	317-788	STEEL BALL D3	4	
34	335-441	INTERNAL WIRE FERRITE SET	1	
35	335-442	HANDLE COVER	1	
36	335-443	DC-SPEED CONTROL SWITCH	1	
37	335-446	SWITCH TRIGGER	1	
38	335-444	PUSHING BUTTON	1	
39	335-445	TERMINAL CAPACITOR SET	1	
* 40	335-684	BATTERY BCL 715 (EUROPE)	2	
* 40	335-682	BATTERY BCL 715 (CHN)	2	
* 40	335-685	BATTERY BCL 715 (TPE)	2	
* 40	335-683	BATTERY BCL 715 (KOR)	2	
41	335-777	HANDLE (A).(B) SET	1	INCLUD. 33
42	326-318	CLIP	2	

STANDARD ACCESSORIES

WH 7DL

ITEM NO.	CODE NO.	DESCRIPTION	NO. USED	REMARKS
501		CHARGER (MODEL UC 7SL)	1	
502	335-449	CASE	1	
503	335-450	BATTERY COVER	1	

OPTIONAL ACCESSORIES

ITEM NO.	CODE NO.	DESCRIPTION	NO. USED	REMARKS
601	992-672	+ DRIVER BIT (B) NO. 3 50L	1	
602	996-177	NON-MAGNETIC HEX. SOCKET 8 MM 65L	1	
603	996-184	BIT PIECE	1	
604	309-922	GREASE FOR IMPACT DRIVER (500 G)	1	

ITEM NO.	CODE NO.	DESCRIPTION	NO. USED	REMARKS	