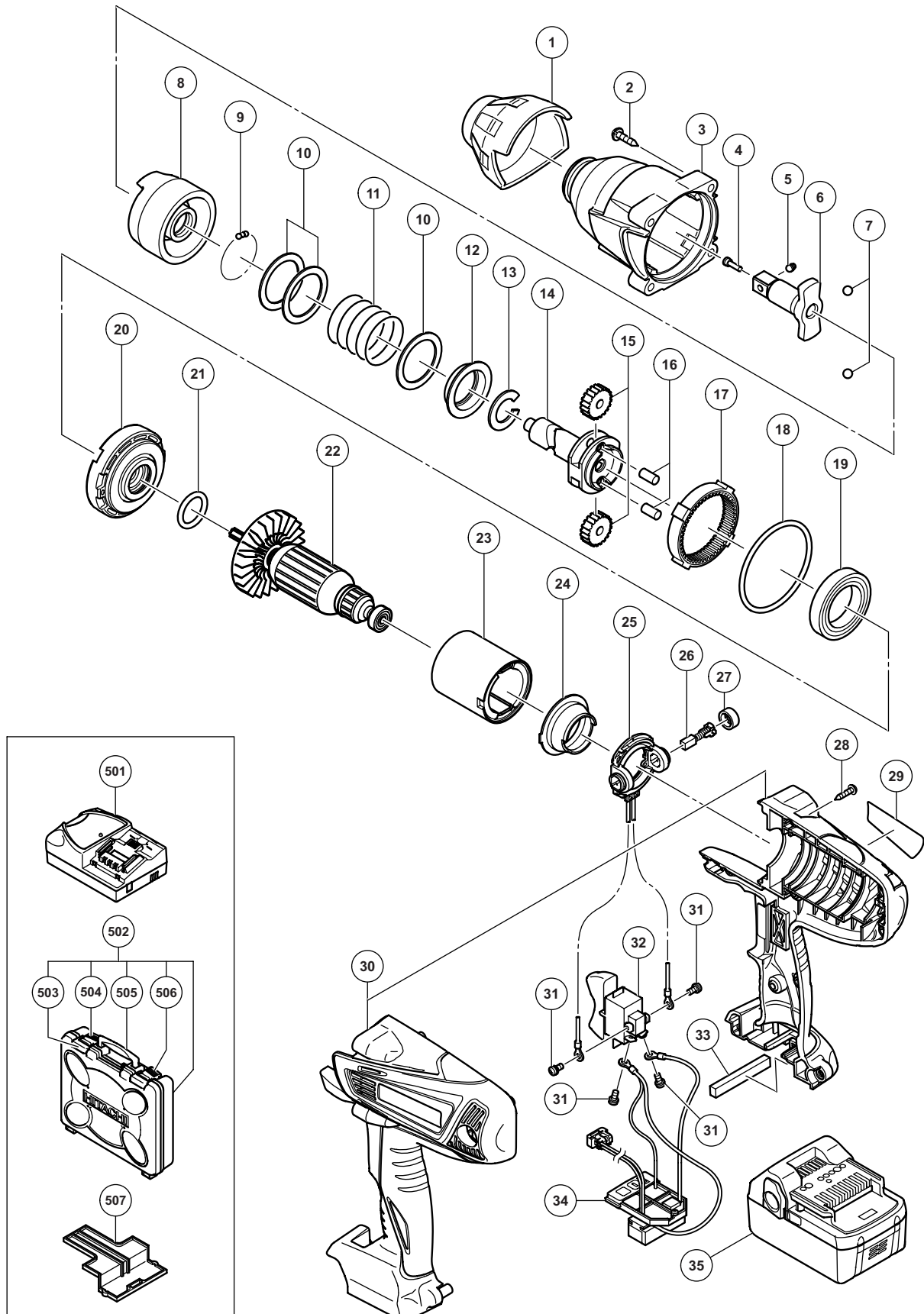


## ELECTRIC TOOL PARTS LIST

### CORDLESS IMPACT WRENCH Model WR 18DSHL

2011·10·20  
(E1)



## PARTS

WR 18DSHL

ITEM NO.	CODE NO.	DESCRIPTION	NO. USED	REMARKS
1	333-809	FRONT CAP	1	
2	334-307	TAPPING SCREW (W/SP. WASHER) D5 X 35 (BLACK)	4	
3	333-798	HAMMER CASE	1	
4	324-257	PIN RETAINER (B)	1	
5	324-256	PLUNGER (B)	1	
6	334-308	ANVIL (C)	1	
7	959-150	STEEL BALL D6.35 (10 PCS.)	2	
8	333-799	HAMMER	1	
9	959-155	STEEL BALL D3.97 (10 PCS.)	32	
10	333-800	WASHER (J)	1	
11	333-801	HAMMER SPRING	1	
12	333-802	WASHER (S)	1	
13	333-803	STOPPER	1	
14	333-804	SPINDLE	1	
15	333-805	IDLE GEAR SET (2 PCS.)	2	
16	333-806	NEEDLE ROLLER (A)	2	
17	333-807	RING GEAR	1	
18	878-863	O-RING (S-70)	1	
19	334-310	BALL BEARING 61907 (GB)	1	
20	333-808	INNER COVER	1	
21	878-609	O-RING (S-24)	1	
22	360-922	ARMATURE (D0.9-5T)	1	
23	333-796	MAGNET	1	
24	333-797	DUST GUARD FIN	1	
25	334-311	BRUSH BLOCK	1	
26	999-100	CARBON BRUSH (1 PAIR)	2	
27	319-847	BRUSH CAP	2	
28	301-653	TAPPING SCREW (W/FLANGE) D4 X 20 (BLACK)	9	
29		NAME PLATE	1	
30	333-794	HOUSING (A).(B) SET	1	
31	307-887	MACHINE SCREW (W/WASHER) M3.5 X 6	4	
32	333-795	SWITCH (2P SCREW TYPE)	1	
33	334-312	RUBBER CUSHION (A)	1	
34	334-313	CONTROLLER TERMINAL SET	1	
* 35	330-068	BATTERY BSL 1830 (EUROPE, AUS, NZL)	2	
* 35	330-067	BATTERY BSL 1830 (USA, CAN)	2	

**STANDARD ACCESSORIES**

WR 18DSHL

ITEM NO.	CODE NO.	DESCRIPTION	NO. USED	REMARKS
* 501		CHARGER (MODEL UC 18YRSL)	1	
* 501		CHARGER (MODEL UC 18YML2)	1	
502	333-810	CASE	1	INCLUD. 503-506
503	330-152	LATCH (GREEN)	2	
504	330-150	KNOB (L) GREEN	1	
505	334-344	HANDLE (GREEN)	1	
506	330-151	KNOB (R) GREEN	1	
507	329-897	BATTERY COVER	1	

**OPTIONAL ACCESSORIES**

ITEM NO.	CODE NO.	DESCRIPTION	NO. USED	REMARKS
601	986-062	UNIVERSAL JOINT ASS'Y	1	INCLUD. 602, 603
602	873-537	SOCKET PIN	1	
603	873-187	O-RING (J1SW1516)	1	
604	873-536	HEX. SOCKET ASS'Y 17MM X 32L	1	INCLUD. 602, 603
605	873-624	HEX. SOCKET ASS'Y 19MM X 34L	1	INCLUD. 602, 603
606	873-626	HEX. SOCKET ASS'Y 21MM X 36L	1	INCLUD. 602, 603
607	873-627	HEX. SOCKET ASS'Y 22MM X 40L	1	INCLUD. 602, 603
608	873-628	HEX. SOCKET ASS'Y 23MM X 40L	1	INCLUD. 602, 603
609	873-629	HEX. SOCKET ASS'Y 24MM X 40L	1	INCLUD. 602, 603
610	873-630	HEX. SOCKET ASS'Y 26MM X 40L	1	INCLUD. 602, 603
611	985-195	HEX. SOCKET ASS'Y 27MM X 40L	1	INCLUD. 602, 603
612	985-196	HEX. SOCKET ASS'Y 30MM X 50L	1	INCLUD. 602, 603
613	873-633	EXTENSION BAR ASS'Y (SQUARE) 12.7MM X 100L	1	INCLUD. 602, 603
614	955-138	HEX. SOCKET ASS'Y (LONG) 12MM X 52L	1	INCLUD. 602, 603
615	955-139	HEX. SOCKET ASS'Y (LONG) 13MM X 52L	1	INCLUD. 602, 603
616	955-140	HEX. SOCKET ASS'Y (LONG) 14MM X 52L	1	INCLUD. 602, 603
617	955-141	HEX. SOCKET ASS'Y (LONG) 17MM X 52L	1	INCLUD. 602, 603
618	955-142	HEX. SOCKET ASS'Y (LONG) 19MM X 52L	1	INCLUD. 602, 603
619	955-143	HEX. SOCKET ASS'Y (LONG) 21MM X 52L	1	INCLUD. 602, 603
620	955-144	HEX. SOCKET ASS'Y (LONG) 22MM X 52L	1	INCLUD. 602, 603
621	955-146	HEX. SOCKET ASS'Y (LONG) 24MM X 52L	1	INCLUD. 602, 603
622	955-149	HEX. SOCKET ASS'Y (LONG) 17MM X 75L	1	INCLUD. 602, 603
623	955-150	HEX. SOCKET ASS'Y (LONG) 19MM X 75L	1	INCLUD. 602, 603
624	955-151	HEX. SOCKET ASS'Y (LONG) 21MM X 75L	1	INCLUD. 602, 603
625	955-147	HEX. SOCKET ASS'Y (LONG) 26MM X 75L	1	INCLUD. 602, 603
626	985-197	HEX. SOCKET ASS'Y (LONG) 30MM X 75L	1	INCLUD. 602, 603
627	955-153	UNIVERSAL JOINT PIN	1	
628	309-922	GREASE FOR IMPACT DRIVER (500G)	1	

