

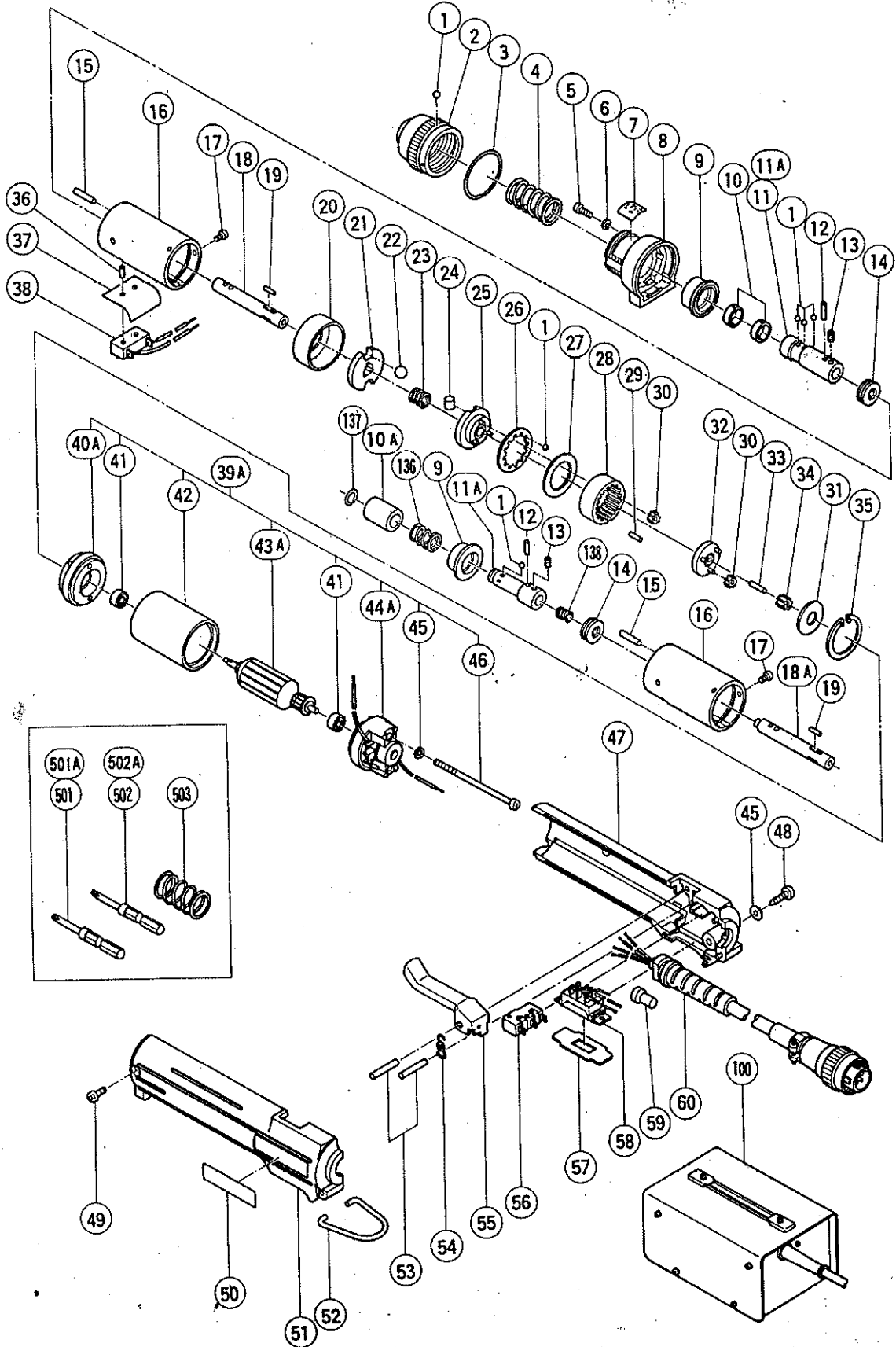
ELECTRIC TOOL PARTS LIST

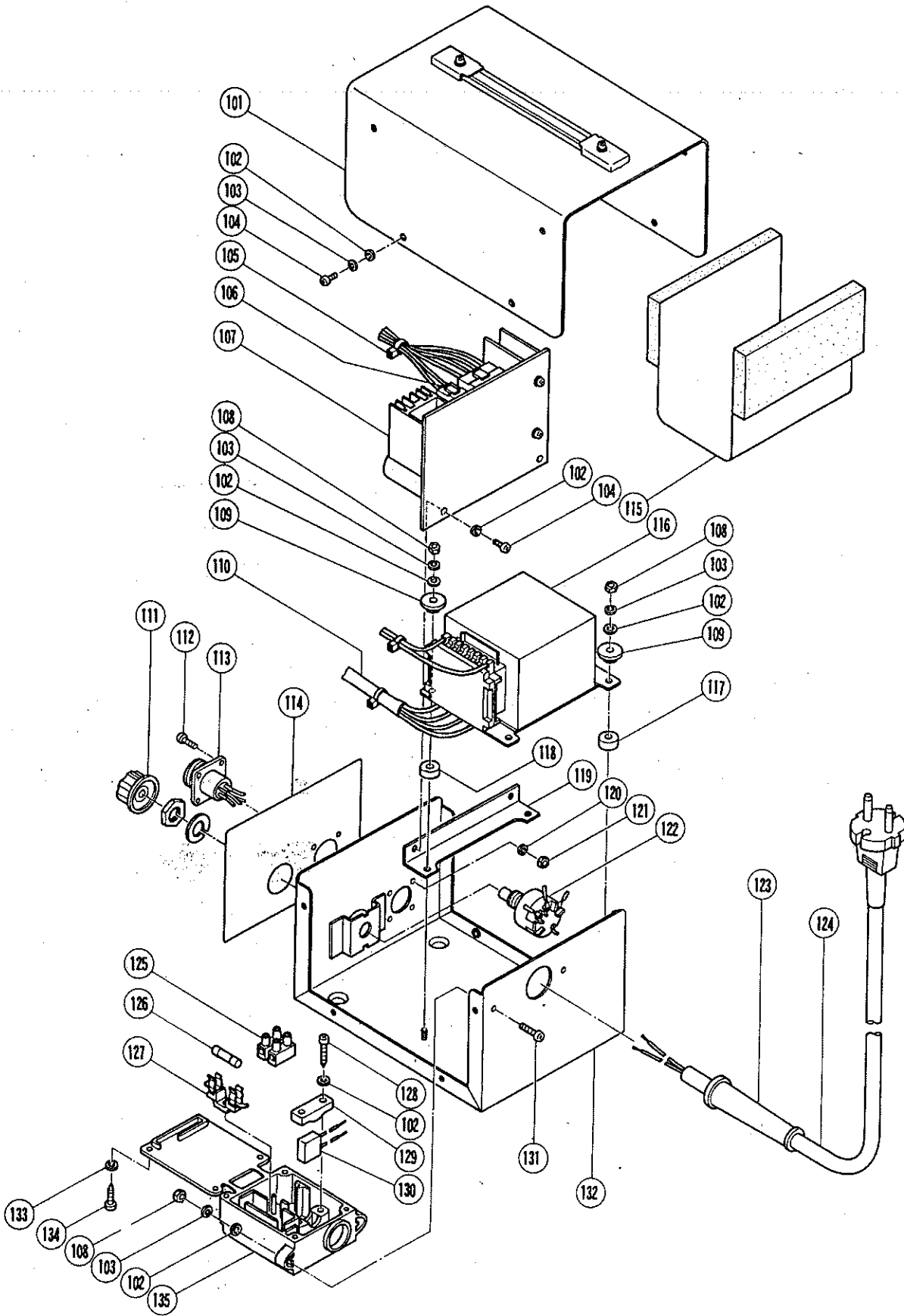
■ DRIVER

1988.3.20

Model WT3SA

WT3SA(E2)





PARTS

WT3SA(E2)

Item No.	Code No.	Part Name	Q'ty	Remarks
1	983615	Steel Ball D2	16	
2	987823	Adjust Ring	1	
3	987824	Set Ring (B)	1	
4	983756	Spring (H)	1	
5	983642	Machine Screw M2.6 x 8	2	
6	983705	Spring Lock Washer	2	for M2.6
7	987770	Dial Plate	1	
8	987821	Top Cover	1	
9	983727	Sleeve	1	
10	—	Set Ring (A)	2	See alternative parts
11	—	Socket	1	See alternative parts
12	949860	Roll Pin D2 x 10	1	(10 pcs.)
13	983635	Hexagon Socket Hd. Set Screw M3 x 4	1	
14	983633	Thrust Bearing	1	
15	983628	Needle (A)	3	
16	983713	Gear Cover Ass'y	1	Includ. 36
17	983654	Machine Screw M2.3 x 6	3	
18	—	Shaft	1	See alternative parts
19	983701	Needle (F)	3	
20	983754	Slide Ring	1	
21	983715	Clutch (B)	1	
22	959149	Steel Ball D4.76	2	(10 pcs.)
23	983703	Spring (F)	1	
24	983717	Needle (C)	2	
25	983716	Clutch (A)	1	
26	983718	Retainer	1	
27	983719	Washer (A)	1	
28	983720	Ring Gear	1	
29	949778	Pin D2 x 8	1	(10 pcs.)
30	983721	Idle Gear	6	
31	983722	Washer (B)	1	
32	983723	Gear Holder	1	
33	983724	Needle (D)	1	
34	983725	First Sun Pinion	1	
35	983748	C-Type Retaining Ring	1	for I.D. 24 Hole
36	949859	Roll Pin D2 x 8	2	(10 pcs.)
37	983643	Insulator (A)	1	
38	983731	Limit Switch	1	
39A	996874	Motor Ass'y	1	Includ. 40A-46
40A	983758	Inner Cover	1	
41	983744	Ball Bearing (R-830ZZ)	2	
42	983741	Yoke	1	
43A	993431	Armature	1	
44A	993434	End Bracket	1	
45	949422	Washer	3	for M3 (10 pcs.)
46	983745	Machine Screw M3 x 55	2	
47	983712	Housing (A)	1	
48	983653	Tapping Screw D3 x 12	1	
49	983655	Machine Screw M2.6 x 6	2	
50	—	Name Plate	1	
51	983738	Housing (B)	1	
52	980838	Hook	1	
53	949476	Pin D3 x 18	1	(10 pcs.)

PARTS

WT3SA(E2)

Item No.	Code No.	Part Name	Q'ty	Remarks
54	983737	Spring (D)	1	
55	987820	Lever	1	
56	983749	Micro Switch	1	
57	987775	Switch Plate (B)	1	
58	987825	Reversing Switch	1	
59	959140	Connector (50091)	1	(10 pcs.)
60	987774	D.C. Cord	1	
100	—	Controller	1	includ. 101 ~ 135
101	983658	Box (B)	1	
102	949423	Washer	14	for M4 (10 pcs.)
103	949453	Spring Lock Washer	14	fro M4 (10 pcs.)
104	949214	Machine Screw M4 x 6	10	(10 pcs.)
105	983684	Wire Band	4	
106	983708	2P Contact Case (A)	1	
107	983659	Print Board	1	
108	949554	Nut M4	6	(10 pcs.)
109	987788	Insulation Tube	4	
110	984694	Glass Tube	1	
111	983661	Dial	1	
112	949204	Machine Screw M3 x 10	4	(10 pcs.)
113	987779	Metal Consent	1	
114	987778	Label (A)	1	
115	983668	Insulator (B)	1	
116	—	Transformer	1	See alternative parts
117	987787	Transformer Washer	2	(T5.5)
118	987786	Transformer Washer	2	(T4.5)
119	983667	Plate	1	
120	949451	Spring Lock Washer	4	for M3 (10 pcs.)
121	949553	Nut M3	4	(10 pcs.)
122	983660	Rotary Switch	1	
123	953327	Cord Armor	1	
124	—	Cord	1	See alternative parts
125	983418Z	Pillar Terminal (B)	1	
126	987781	Fuse	1	
127	987782	Fuse Holder	1	
128	954004	Tapping Screw D4 x 16	2	
129	960266	Cord Clip	1	
130	930030	Noise Suppressor	1	
131	949218	Machine Screw M4 x 14	2	(10 pcs.)
132	987777	Box (A)	1	
133	949422	Washer	2	for M3 (10 pcs.)
134	983653	Tapping Screw D3 x 12	2	
135	987783	Cable Holder	1	
136	—	Spring (C)	1	See alternative parts
137	—	Stop Ring	1	See alternative parts
138	—	Spring (E)	1	See alternative parts

ALTERNATIVE PARTS

WT3SA(E2)

Item No.	Code No.	Part Name	Q'ty	Remarks
10	987818	Set Ring (A)	2	(for Korea only till 7. 1987)
10A	983729	Collar	1	for Korea since 8. 1987
11A	983726	Socket	1	for Korea since 8. 1987
11	987817	Socket	1	(for Korea only till 7. 1987)
11A	987830	Socket (S)	1	for F.R. Germany, Netherlands
18	987816	Shaft	1	(for Korea only till 7. 1987)
18A	983714	Shaft	1	for Korea since 8. 1987
116	987780	Transfromer	110V	1 for Europe
	987792	Transfromer	230V	1 for Singapore
124	500234Z	Cord	220V	1 for Europe
	500223Z	Cord	230V	1 for Singapore
136	983728	Spring (C)	1	for Korea since 8. 1987
137	983730	Stop Ring	1	for Korea since 8. 1987
138	983704	Spring (E)	1	for Korea since 8. 1987

STANDARD ACCESSORIES

Item No.	Code No.	Part Name	Q'ty	Remarks
501	987812	Plus Bit No. 1 3 x 50L	1	
501A	987831	Plus Bit No. 1 D3.8 x 50L, 9.5	1	for F.R. Germany, Netherlands
502	987814	Plus Bit No. 2 4 x 50L	1	
502A	987833	Plus Bit No. 2 D3.8 x 50L, 9.5	1	for F.R. Germany, Netherlands
503	987828	Spring (B)	1	

OPTIONAL ACCESSORIES

Item No.	Code No.	Part Name	Q'ty	Remarks
601	987810	Plus Bit No. 0 3 x 50L	1	
602	987811	Plus Bit No. 0 3 x 70L	1	
603	987813	Plus Bit No. 1 3 x 70L	1	
604	987760	Plus Bit No. 1 6 x 70L	1	
605	987761	Plus Bit No. 1 6 x 100L	1	
606	987815	Plus Bit No. 2 4 x 70L	1	
607	987762	Plus Bit No. 2 6 x 70L	1	
608	987763	Plus Bit No. 2 6 x 100L	1	
609	987827	Spring (A)	1	
610	987817	Socket	1	
611	987812	Plus Bit No. 1 3 x 50L	1	
612	987814	Plus Bit No. 2 4 x 50L	1	
613	987832	Plus Bit No. 1 D3.8 x 75L, 9.5	1	
614	987834	Plus Bit No. 2 D3.8 x 75L, 9.5	1	
615	987835	Plus Bit No. 0 D3.8 x 50L, 9.5	1	

