

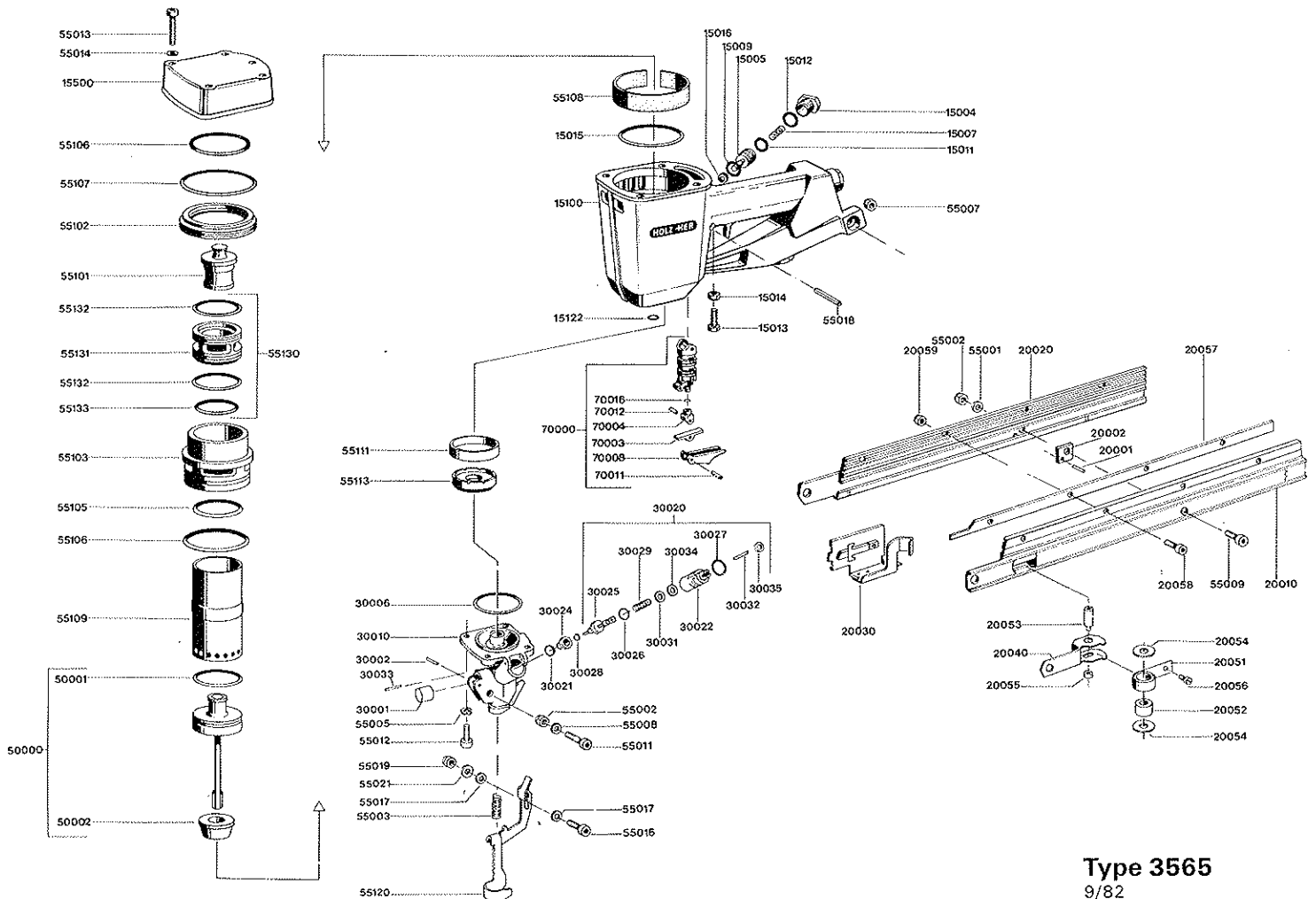
Ersatzteilliste Spare Parts List Liste des pièces détachées Lista de despiece

| Pos.-Nr. | Bestell-Nr. Code No. N° de cde. 3565 | Stück Quant. | Benennung | Designation | Désignation | Abmessung Dimensions |
|----------|---|-----------------|--|---|---|-------------------------|
| | | | Gehäuse | Housing | Boîtier | |
| 15004 | 21.25 47 | 1 | Ventileinsatz | Valve case | Garniture de soupape | |
| 15005 | 21.25 55 | 1 | Sperrkolben | Locking piston | Piston de blocage | |
| 15007 | 04.68 17 | 1 | Druckfeder | Compression spring | Ressort de pression | |
| 15009 | 04.90 18 | 1 | O-Ring | O-ring | Joint torique | 16 x 1,25 |
| 15011 | 04.89 33 | 1 | O-Ring | O-ring | Joint torique | 10,82 x 1,78 |
| 15012 | 04.89 92 | 1 | O-Ring | O-ring | Joint torique | 16 x 2 |
| 15013 | 03.28 59 | 1 | Sechskantschraube | Hexagon screw | Vis 6-pans | M 5 x 20 DIN 933 |
| 15014 | 04.07 03 | 1 | Sechskantmutter | Hexagon nut | Ecrou 6-pans | M 5 DIN 985 |
| *15015 | 21.78 24 | 1 | O-Ring | O-ring | Joint torique | 51 x 4 |
| 15016 | 05.17 21 | 1 | Dichtring | Sealing ring | Bague d'étanchéité | |
| 15100 | 58.70 44 | 1 | Gehäuse (mit Pos. 15122) | Housing (with item 15122) | Boîtier (avec pos. 15122) | |
| 15122 | 04.87 39 | 1 | O-Ring | O-ring | Joint torique | 4 x 1 |
| 15500 | 21.58 13 | 1 | Gehäusedeckel, komplett | Housing cover, compl. | Couvercle de carter, compl. | |
| 20000 | 58.68 89 | 1 | Magazin, komplett | Magazine, compl. | Chargeur, compl. | |
| 20001 | 04.27 73 | 1 | Spannstift | Slotted spring pin | Goupille à ressort | 2 x 8 DIN 1481 |
| 20002 | 58.22 98 | 1 | Platte | Plate | Plaque | |
| 20010 | 58.70 28 | 1 | Magazinseiteil, links | Guide rail l.h., compl. | Tôle latérale gau., compl. | |
| 20020 | 58.70 36 | 1 | Magazinseiteil, rechts | Guide rail r.h., compl. | Tôle latérale dr., compl. | |
| 20030 | 58.70 60 | 1 | Magazinschieber, komplett | Pusher, compl. | Coulisseau chargeur, compl. | |
| 20040 | 58.21 82 | 1 | Bügel, komplett | Bracket, compl. | Etrier, compl. | |
| *20051 | 26.24 63 | 1 | Flachspiralfeder | Flat spiral spring | Ressort spiral plat | |
| 20052 | 26.25 52 | 1 | Buchse | Bushing | Douille | |
| 20053 | 53.17 15 | 1 | Bolzen, Sonder | Pin, special | Axe-support, spéciale | |
| 20054 | 00.90 83 | 2 | Scheibe | Washer | Rondelle | |
| 20055 | 04.85 50 | 1 | Scheibe, elastisch | Elastic washer | Rondelle élastique | |
| 20056 | 03.54 59 | 1 | Zylinderschraube | Cheese-head screw | Vis à tête cylindrique | M 4 x 8 DIN 84 |
| 20057 | 58.23 01 | 2 | Leiste | Steel strip | Réglette | |
| 20058 | 03.37 82 | 5 | Zylinderschraube | Allen screw | Vis Allen | M 5 x 20 DIN 912 |
| 20059 | 04.07 03 | 5 | Sechskantmutter | Hexagon nut | Ecrou 6-pans | M 5 DIN 985 |
| | | | Zylinderfuß | Nosepiece | Pied de cylindre | |
| 30001 | 58.21 31 | 1 | Stabmagnet | Rod magnet | Aimant-ftge | |
| 30002 | 42.62 02 | 1 | Spannstift | Slotted spring pin | Goupille à ressort | 3 x 22 DIN 7344 |
| 30006 | 42.61 72 | 1 | O-Ring | O-ring | Joint torique | 50 x 1 |
| 30010 | 55.89 66 | 1 | Zylinderfuß | Nosepiece | Pied de cylindre | |
| *30020 | 58.70 01 | 1 | Sperrkolben, komplett (mit Pos. 30022, 30025 30026, 30027, 30029, 30031, 30032, 30034, 30035) | Locking piston, compl. (with items 30022, 30025 30026, 30027, 30029, 30031, 30032, 30034, 30035) | Piston de blocage, compl. (avec pos. 30022, 30025 30026, 30027, 30029, 30031, 30032, 30034, 30035) | |
| 30021 | 04.87 98 | 1 | O-Ring | O-ring | Joint torique | 6 x 2 |
| 30022 | 58.20 93 | 1 | Ventilbuchse | Valve bushing | Douille de soupape | |
| 30024 | 58.20 77 | 1 | Ventilbuchse | Valve bushing | Douille de soupape | |
| *30025 | 58.20 85 | 1 | Sperrkolben | Locking piston | Piston de blocage | |
| 30026 | 04.88 60 | 2 | O-Ring | O-ring | Joint torique | 8 x 2 |
| 30027 | 04.89 41 | 1 | O-Ring | O-ring | Joint torique | 12,42 x 1,78 |
| 30028 | 04.87 63 | 1 | O-Ring | O-ring | Joint torique | 5 x 1,75 |
| 30029 | 04.68 17 | 1 | Druckfeder | Compression spring | Ressort de pression | |
| 30031 | 04.10 92 | 1 | Scheibe | Washer | Rondelle | A 5,3 DIN 125 |
| 30032 | 42.32 70 | 1 | Spannstift | Slotted spring pin | Goupille à ressort | 1,5 x 12 DIN 1481 |
| 30033 | 04.29 19 | 1 | Spannstift | Slotted spring pin | Goupille à ressort | 3 x 24 DIN 1481 |
| 30034 | 04.87 63 | 1 | O-Ring | O-ring | Joint torique | 5 x 1,75 |
| 30035 | 04.85 50 | 1 | Scheibe, elastisch | Elastic washer | Rondelle élastique | |
| *50000 | 58.69 00 | 1 | Kolben, komplett | Piston, compl. | Piston, compl. | |
| *50001 | 04.92 12 | 1 | O-Ring | O-ring | Joint torique | 42 x 3,5 |
| *50002 | 53.48 46 | 1 | Puffer | Bumper | Amortisseur | |
| | | | Befestigungsteile | Assembly parts | Pièces auxiliaires | |
| 55002 | 04.07 38 | 2 | Sechskantmutter | Hexagon nut | Ecrou 6-pans | M 6 DIN 985 |
| 55003 | 42.34 40 | 1 | Druckfeder | Compression spring | Ressort de pression | |
| 55005 | 04.24 71 | 4 | Federring | Spring washer | Rondelle Grower | A 8 DIN 127 |
| 55007 | 58.20 69 | 1 | Buchse, Sonder | Bushing, special | Douille, spéciale | |
| 55008 | 04.11 14 | 2 | Scheibe | Washer | Rondelle | A 6,4 DIN 125 |
| 55009 | 03.39 52 | 1 | Zylinderschraube | Allen screw | Vis Allen | M 6 x 25 DIN 912 |
| 55011 | 18.35 98 | 1 | Zylinderschraube | Allen screw | Vis Allen | M 6 x 40 DIN 912 |
| 55012 | 42.26 73 | 4 | Zylinderschraube ¹⁾ | Allen screw ¹⁾ | Vis Allen ¹⁾ | M 8 x 25 DIN 912 - 10,9 |
| 55013 | 03.38 39 | 4 | Zylinderschraube | Allen screw | Vis Allen | M 5 x 40 DIN 912 |
| 55014 | 04.26 68 | 4 | Zahnscheibe | Serrated washer | Rondelle à dents | S 5 |
| 55016 | 03.38 04 | 1 | Zylinderschraube | Allen screw | Vis Allen | M 5 x 25 DIN 912 |
| 55017 | 04.85 69 | 2 | Scheibe, elastisch | Elastic washer | Rondelle élastique | |
| 55018 | 04.44 23 | 1 | Spannstift | Slotted spring pin | Goupille à ressort | 4 x 26 DIN 7344 |
| 55019 | 04.07 03 | 1 | Sechskantmutter | Hexagon nut | Ecrou 6-pans | M 5 DIN 985 |
| 55021 | 41.19 22 | 1 | Scheibe | Washer | Rondelle | B 5,3 DIN 125 |
| | | | Steuerteile | Control parts | Pièces de commande | |
| *55101 | 21.55 97 | 1 | Raste | Socket catch | Manchon d'arrêt | |
| 55102 | 21.54 81 | 1 | Ring mit Nut | Ring with groove | Anneau rainuré | |
| 55103 | 21.55 11 | 1 | Ventilschieber | Valve slide | Coulisseau de soupape | |
| *55105 | 21.78 24 | 1 | O-Ring | O-ring | Joint torique | 51 x 4 |
| *55106 | 21.78 32 | 2 | O-Ring | O-ring | Joint torique | 60 x 4 |
| 55107 | 04.93 36 | 1 | O-Ring | O-ring | Joint torique | 74 x 2 |
| 55108 | 21.62 59 | 1 | Schalldämpfer | Muffle | Silencieux | |
| 55109 | 58.70 52 | 1 | Zylinder | Cylinder | Cylindre | |
| 55111 | 58.69 86 | 1 | Ring | Ring | Anneau | |
| *55113 | 53.48 54 | 1 | Puffer | Bumper | Amortisseur | |
| 55120 | 58.22 20 | 1 | Auslösesicherung, komplett | Safety trip, compl. | Bras de sécurité, compl. | |
| 55130 | 21.78 08 | 1 | Ventileinsatz, komplett (mit Pos. 55131 - 55133) | Valve insert, compl. (with items 55131 - 55133) | Garniture de soupape, compl. (avec pos. 55131 - 55133) | |

| Pos.-Nr. | Bestell-Nr. Code No. N° de cde. 3565 | Stück Quant. | Benennung | Designation | Désignation | Abmessung Dimensions |
|----------|--|-----------------|---|---|---|-------------------------|
| 55131 | 21.55 46 | 1 | Ventileinsatz | Valve insert | Garniture de soupape | |
| 55132 | 21.78 16 | 2 | O-Ring | O-ring | Joint torique | 45 x 4 |
| 55133 | 04.92 04 | 1 | O-Ring | O-ring | Joint torique | 40 x 2,5 |
| 70000 | 59.91 23 | 1 | Auslöseventil für Einzelauslösung | Release valve for single-trigger release | Soupape de déclenche- ment pour coup par coup | |
| 70003 | 52.67 70 | 1 | Wippe | Release hopper | Gachette de déclenchement | |
| 70004 | 09.08 32 | 1 | Gabelgelenk | Fork joining | Chape | |
| 70008 | 63.98 69 | 1 | Auslöser | Trigger | Détente | |
| 70011 | 04.45 04 | 1 | Spannstift | Slotted spring pin | Goupille à ressort | 4 x 20 DIN 7344 |
| 70012 | 41.98 18 | 1 | Spannstift | Slotted spring pin | Goupille à ressort | 3 x 13 DIN 7344 |
| 70016 | 04.87 12 | 1 | O-Ring | O-ring | Joint torique | 3 x 1 |
| 70000 | 09.16 18 | 1 | Auslöseventil für Kontaktauslösung | Release valve for release on contact | Soupape de déclenche- ment pour tir à la volée | |
| 70003 | 01.05 88 | 1 | Wippe | Release hopper | Gachette de déclenchement | |
| 70004 | 09.08 32 | 1 | Gabelgelenk | Fork joining | Chape | |
| 70008 | 59.57 05 | 1 | Auslöser | Trigger | Détente | |
| 70011 | 04.45 04 | 1 | Spannstift | Slotted spring pin | Goupille à ressort | 4 x 20 DIN 7344 |
| 70012 | 41.98 18 | 1 | Spannstift | Slotted spring pin | Goupille à ressort | 3 x 13 DIN 7344 |
| 70016 | 04.87 12 | 1 | O-Ring | O-ring | Joint torique | 3 x 1 |
| 78002 | 41.51 97 | 1 | Zubehör, mitgeliefert | Accessory parts | Pièces d'accessoires | |
| 78003 | 04.54 89 | 1 | Sechskant-Schraubendreher | Allen key | Clé Allen | 4 DIN 911 |
| 78005 | 04.54 03 | 1 | Sechskant-Schraubendreher | Allen key | Clé Allen | 5 DIN 911 |
| 78007 | 61.18 59 | 1 | Schlüssel | Spanner | Clé | 8 x 10 DIN 895 |
| 78007 | 61.18 59 | 1 | Aufhänger | Safety-instruction label | Notice d'instructions de sécurité | |
| 78008 | 28.65 32 | 1 | Sicherheitshinweise | Plug-in nipple | Raccord enfichable | R 3/8" |
| 78008 | 28.65 32 | 1 | Stecknippel | | | |
| 90001 | 21.81 70 | 1 | Schilder | Plates | Plaques | |
| 90003 | 58.70 87 | 1 | Schild HOLZ-HER | HOLZ-HER nameplate | Plaque HOLZ-HER | |
| 90004 | 38.79 32 | 1 | Schild für Nagelgröße | Nail size plate | Plaque de dimensions de clous | |
| 90005 | 61.40 68 | 1 | Hinweisschild | Indicating plate | Plaque indicatrice | |
| 90005 | 61.40 68 | 1 | Patentschild | Patent plate | Plaque de brevets | |

* = Verschleißteile, Wear-and-tear parts, Pièces d'usure

1) Pos.-Nr. 55012: Erforderliches Schrauben-Anzugsmoment 40 Nm
Required screw tightening torque 40 Nm
Couple de serrage des vis nécessaire 40 Nm



Type 3565
9/82