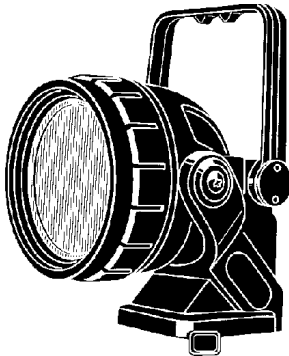


# Service Manual

## Lantern

### EY3793



## SPECIFICATIONS

|  |   |
|--|---|
| Bulb                                   | : Xenon bulb (7.2V, 0.75A)  |
| Brightness                             | : Approx. 5000lux   |
| Dimensions<br>(excluding battery pack) | : 155(D) × max. 203(H) × 143(W)mm<br>(6-7/64"(D) × max. 7-63/64"(H) × 5-1/16"(W)) |
| Weight<br>(excluding battery pack)     | : 0.42kg (0.43lb)   |

### WARNING

This service information is designed for experienced repair technicians only and is not designed for use by the general public. It does not contain warnings or cautions to advise non-technical individuals of potential dangers in attempting to service a product. Products powered by electricity should be serviced or repaired only by experienced professional technicians. Any attempt to service or repair the product or products dealt with in this service information by anyone else could result in serious injury or death.

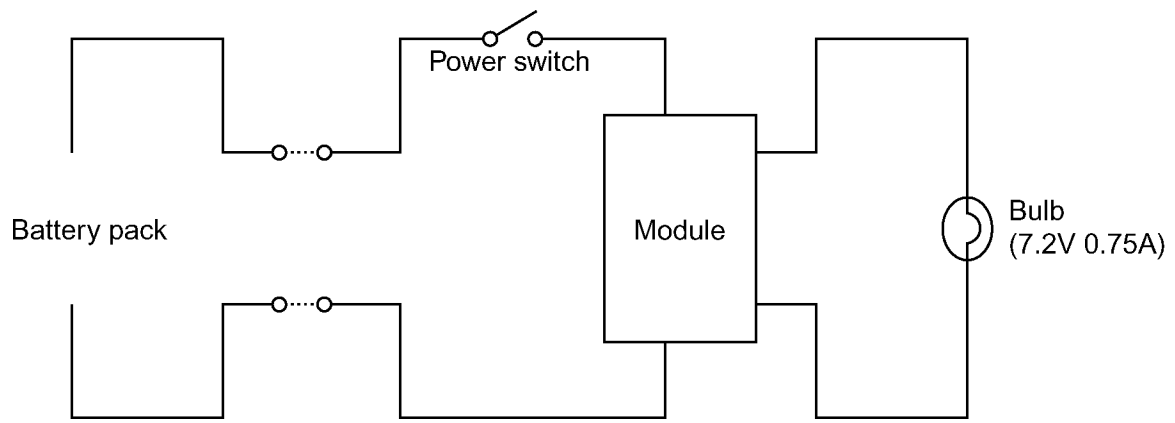
## CONTENTS

|                           | Page | Page   |
|---------------------------|------|--|
| 1 SCHEMATIC DIAGRAM ..... | 2    | 2 EXPLODED VIEW & REPLACEMENT PARTS LIST ..... |
|                           |      | 3  |

# Panasonic®

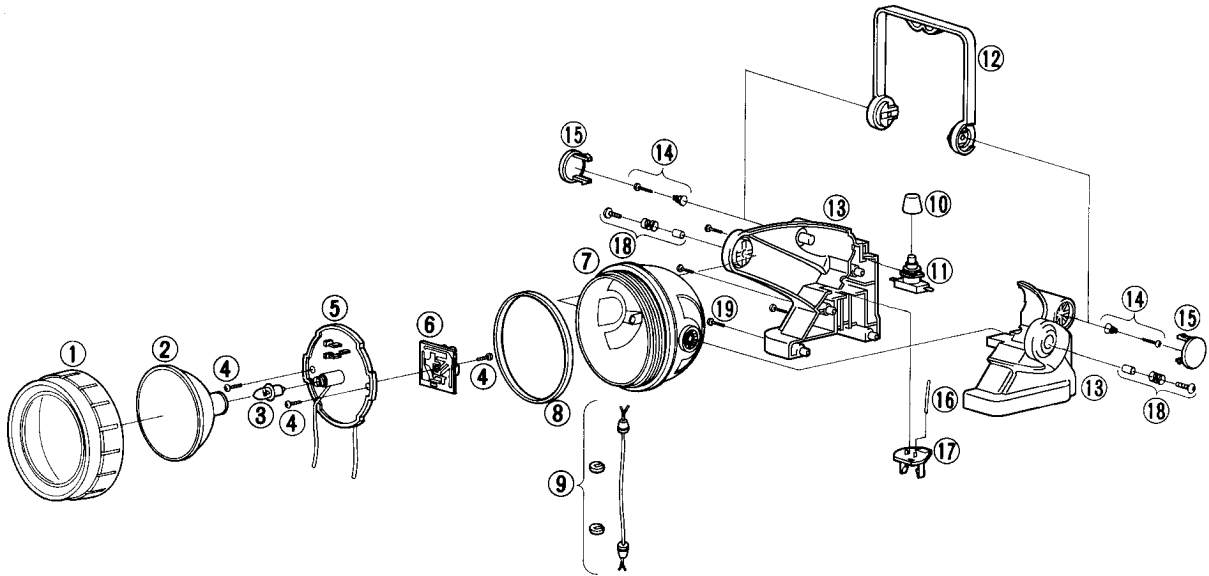
© 2000 Matsushita Electric Works Ltd. All rights reserved. Unauthorized copying and distribution is a violation of law.

# 1 SCHEMATIC DIAGRAM



## 2 EXPLODED VIEW & REPLACEMENT PARTS LIST

### 2.1. EXPLODED VIEW



### 2.2. REPLACEMENT PARTS LIST

**NOTE:**

\*A = available as an optional accessory

\*B = only available as set

\*C = available individually

| Ref. No. | Part No.     | Part Name & Description | Remarks       | Per Unit |
|----------|--------------|-------------------------|---------------|----------|
| 1        | WEY3790K0547 | SHADE                   |               | 1        |
| 2        | WEY3790S3757 | REFLECTOR               |               | 1        |
| 3        | WEYMB-72P75X | BULB                    | *B 7.2V 0.75A | 2        |
| 4        | WEY6261B9057 | TAPPING SCREW (K3-10)   | *C            | 3        |
| 5        | WEY3790L2587 | LAMP HOLDER BASE        |               | 1        |
| 6        | WEY3793L2108 | MODULE                  |               | 1        |
| 7        | WEY3790K3057 | LAMP CASE               |               | 1        |
| 8        | WEY3790K0797 | O-RING                  |               | 1        |
| 9        | WEY3790L2897 | JUNCTION CORD           |               | 1        |
| 10       | WEY3790K3257 | SWITCH CAP              |               | 1        |
| 11       | WEY3790L2007 | POWER SWITCH            |               | 1        |
| 12       | WEY3790K3247 | HANDLE                  |               | 1        |
| 13       | WEY3793K3078 | HOUSING AB SET          |               | 1        |
| 14       | WEY3790L0167 | SPRING/SCREW SET        | *B            | 2        |
| 15       | WEY3790K3447 | SCREW CAP               | *B            | 2        |
| 16       | WEY3790L2967 | LEAD WIRE (RED)         |               | 1        |
| 17       | WEY3790L2157 | TERMINAL PLATE          |               | 1        |
| 18       | WEY3790K0177 | SPRING/COLLAR/SCREW SET | *B            | 2        |
| 19       | WEY3790K9037 | TAPPING SCREW (K3-20)   | *C            | 4        |
| -        | WEY3793K8008 | INDIVIDUAL BOX          |               | 1        |
| -        | WEY3793K8108 | INSTRUCTION MANUAL      |               | 1        |